



Micro Commercial Components

Micro Commercial Components
 20736 Marilla Street Chatsworth
 CA 91311
 Phone: (818) 701-4933
 Fax: (818) 701-4939

1N914W

Features

- Low Current Leakage
- Case Material: Molded Plastic. UL Flammability Classification Rating 94V-0
- Marking : 5D

Maximum Ratings

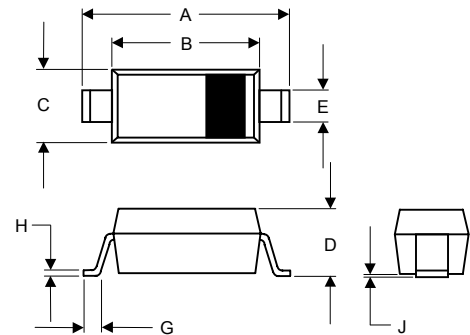
- Operating Temperature: 150°C
- Storage Temperature: -55°C to +150°C
- Maximum Thermal Resistance; 312°C/W Junction To Ambient

Electrical Characteristics @ 25°C Unless Otherwise Specified

Reverse Voltage	V_R	75V 100V	$I_R=5\mu A$ $I_R=100\mu A$
Peak Reverse Voltage	V_{RM}	100V	
Average Rectified Forward Current	$I_{F(AV)}$	200mA	Resistive Load $f > 50Hz$
Power Dissipation	P_D	400mW	
Non-repetitive Peak Forward Surge Current	I_{FSM}	1.0A 2.0A	Pulse Width=1.0s Pulse Width=1.0μs
Forward Voltage	V_F	1.0V	$I_F=10mA$
Reverse Current	I_R	25nA 50μA 0.5μA	$V_R=20V$ $V_R=20V, T_J=150^\circ C$ $V_R=75V,$
Total Capacitance	C_J	4.0pF	Measured at 1.0MHz, $V_R=0V$
Reverse Recovery Time	T_{rr}	50nS	$I_F=I_R=10mA$ $I_{RR} = 3mA$ $R_L=100 OHM$

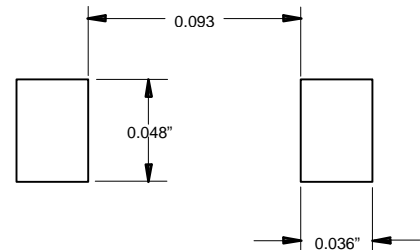
400mW 100 Volt Small Signal Diodes

SOD-123



DIM	INCHES		MM		NOTE
	MIN	MAX	MIN	MAX	
A	.140	.152	3.55	3.85	
B	.100	.112	2.55	2.85	
C	.055	.071	1.40	1.80	
D	---	.053	---	1.35	
E	.012	.031	0.30	0.78	
G	.006	---	0.15	---	
H	---	.010	---	0.25	
J	---	.006	---	0.15	

SUGGESTED SOLDER PAD LAYOUT





TM

Micro Commercial Components

*****IMPORTANT NOTICE*****

Micro Commercial Components Corp. reserves the right to make changes without further notice to any product herein to make corrections, modifications, enhancements, improvements, or other changes. *Micro Commercial Components Corp.* does not assume any liability arising out of the application or use of any product described herein; neither does it convey any license under its patent rights, nor the rights of others. The user of products in such applications shall assume all risks of such use and will agree to hold *Micro Commercial Components Corp.* and all the companies whose products are represented on our website, harmless against all damages.

*****APPLICATIONS DISCLAIMER*****

Products offer by *Micro Commercial Components Corp.* are not intended for use in Medical, Aerospace or Military Applications.