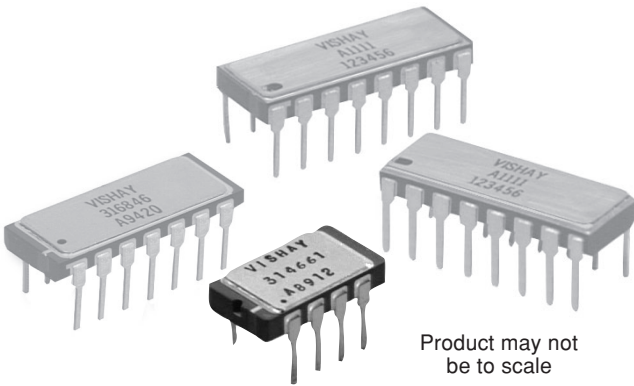




Bulk Metal[®] Foil Technology Dual-In-Line Hermetic Resistor Networks



Product may not be to scale

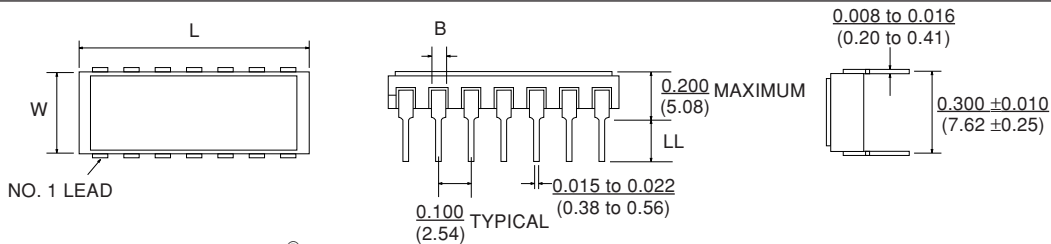
Vishay Model 1442, 1445 and 1446 networks incorporate all the performance features of Vishay Bulk Metal[®] Foil technology. The 8, 14 and 16 pin side brazed DIPs are a ceramic package. Ceramic has the advantage of electrical isolation on the underside, and, in DIP form, a favorable pin arrangement when two networks are to be placed side by side and connected together.

Review data sheet "7 Technical Reasons to Specify Bulk Metal[®] Foil Resistor Networks."

Networks are built to your requirements. Send your schematic and electrical requirements to the Applications Engineering Department. (See data sheet "Network Worksheet.") A unique part number will be assigned which defines all aspects of your network.

THROUGH HOLE

FIGURE 1 - PACKAGE SIZES AND CHARACTERISTICS

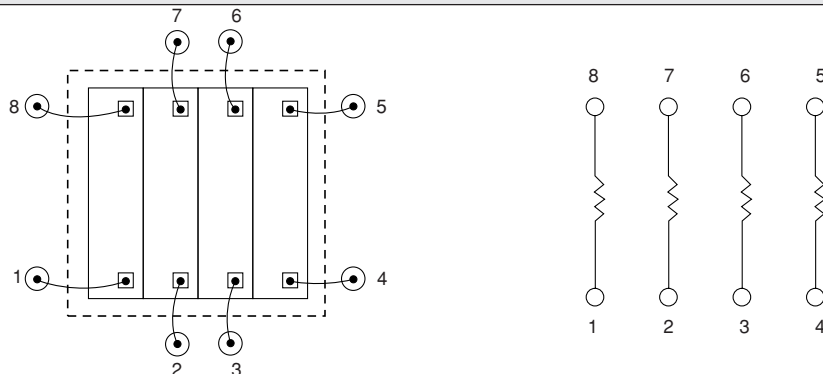


1. These networks utilize Vishay Bulk Metal[®] Foil resistor chips V5X5 and V15X5 or VTF15X5 Thin Film chips.
2. The V5X5 and V15X5 chips have maximum resistance values of 10K and 33K respectively in Bulk Metal[®] Foil and 500K in VTF15X5 Thin Film chips.
3. The V5X5 and V15X5 chip(s) can be intermixed in a package.

VISHAY MODEL	NO. OF PINS	MAXIMUM DIMENSIONS in Inches (mm)				CHIP CAPACITY		MAXIMUM POWER RATING (WATTS) @ +70°C
		L	W	B	LL	V5X5	V15X5	
1442	8	0.520 ±0.020 (13.21 ±0.51)	0.295 ±0.010 (7.49 ±0.025)	0.054 (1.37)	0.125 minimum (3.18)	12	4	0.4
1445	14	0.740 ±0.045 (18.80 ±1.14)	0.270 +0.035/-0.030 (6.86 +0.89/-0.76)	0.046 (1.17)	0.135 +0.015/-0.010 (3.43 +0.38/-0.25)	30	10	1.2
1446	16	0.780 ±0.030 (19.81 ±0.76)	0.290 ±0.008 (7.37 ±0.20)	0.040 to 0.070 (1.01 to 1.78)	0.135 +0.015/-0.010 (3.43 +0.38/-0.25)	36	12	1.4

FIGURE 2 - SAMPLE CIRCUIT DESIGN AND CHIP LAYOUT

NOTE:
Usable area is represented by the dotted lines—a rectangle 0.150 Inches x 0.200 Inches. Illustrations not to scale. Chips shown undersize for clarity. Drawing view is from the top looking down into the package.



VISHAY FOIL • FRANCE +33.4.93.37.28.24 FAX: +33.4.93.37.27.31
• GERMANY +49.9287.710 FAX: +49.9287.70435
• ISRAEL +972.3.557.0945 FAX: +972.3.558.9121

• ITALY +39.2.300.11919 FAX: +39.2.300.11999
• JAPAN +81.42.729.0661 FAX: +81.42.729.3400
• SINGAPORE +65.788.6668 FAX: +65.788.0988

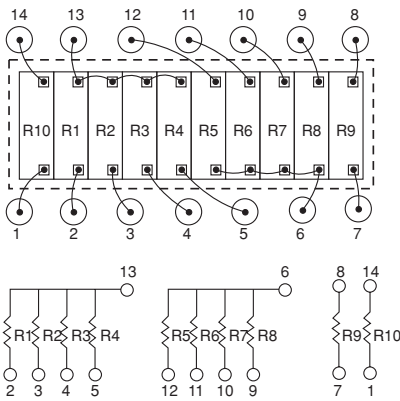
• SWEDEN +46.8.594.70590 FAX: +46.8.594.70581
• UK +44 191 514 8237 FAX: +44 1953 457 722
• USA +1 610 407-4800 FAX: +1 610 640-9081

FIGURE 3 - SAMPLE CIRCUIT DESIGNS AND CHIP LAYOUTS

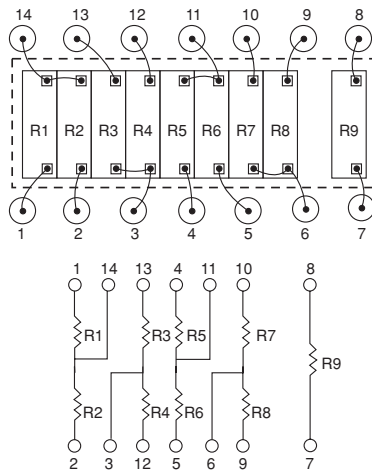
NOTE:

Usable area is represented by the dotted lines— a rectangle 0.150 Inches x 0.500 Inches. Illustrations not to scale. Chips shown undersize for clarity. Drawing view is from the top looking down into the package.

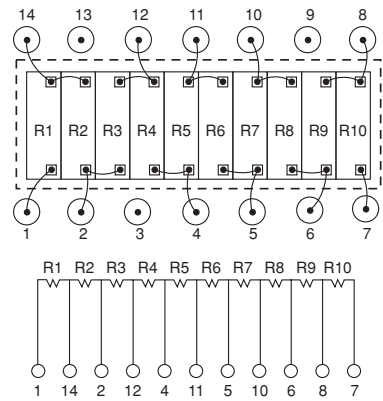
TWO DECADES OF BCD LADDER PLUS TWO SCALING RESISTORS



FOUR DIVIDERS PLUS APPLICATION RESISTOR



TEN RESISTOR DIVIDER

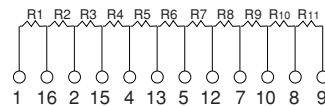
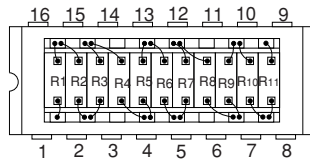


THROUGH HOLE

FIGURE 4 - SAMPLE CIRCUIT DESIGNS AND CHIP LAYOUTS

NOTE: Usable area is represented by the dotted lines— a rectangle 0.150 Inches x 0.600 Inches. Illustrations not to scale. Chips shown undersize for clarity. Drawing view is from the top looking down into the package.

ELEVEN RESISTOR DIVIDER



EIGHT RESISTOR PACKAGE

