



FEATURES

- Handles from signal level to 5 amps
- 1 Form A contact form
- Ultra Slim, 5 MM package
- SIL terminal pattern
- Terminals on 1/10 in grid pattern
- 2 Kv dielectric between coil and contacts
- Sealed, immersion cleanable



File # E86876

UL/CSA RATINGS

| Load Type | All Forms All Contacts |
|--------------|----------------------------|
| General Use | 3A or 5A at 30VDC / 250VAC |
| Resistive | 3A or 5A at 30VDC / 250VAC |
| Minimum Load | 0.1 mA @ 0.1 VDC |

CONTACT DATA

| | | |
|-----------------------------------|-------------------|---|
| Material | | AgCdO (Silver Cadmium Oxide) AgCdO+Au (Silver Cad Oxide Gold Clad) |
| Initial Contact Resistance | | 100 milliohms max @ 0.1A, 6VDC |
| Service Life | Mechanical | 2 X 10 ⁷ Operations |
| | Electrical | 1 X 10 ⁵ Operations |

CHARACTERISTICS

| | |
|----------------------------------|--|
| Operate Time | 6 ms. Max. |
| Release Time | 3 ms. Max. |
| Insulation Resistance | 1000 megohms min, at 500VDC, 50%RH |
| Dielectric Strength | 2000 Vrms, 1 min. between coil and contacts 1000 Vrms, 1 min. between open contacts |
| Shock Resistance | 10 g, 11ms, functional; 100 g, destructive |
| Vibration Resistance | DA 2.5 mm, 10 - 55 Hz |
| Power Consumption | .12W |
| Ambient Temperature Range | -40 to 70 C operating for class B, -40 to 130 C storage |
| Weight | 3 grams approx. |

ORDERING INFORMATION

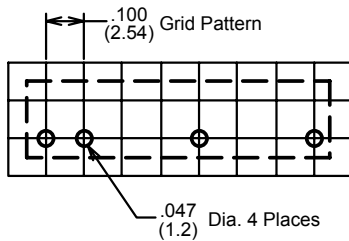
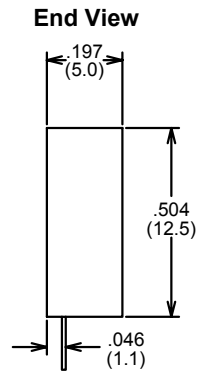
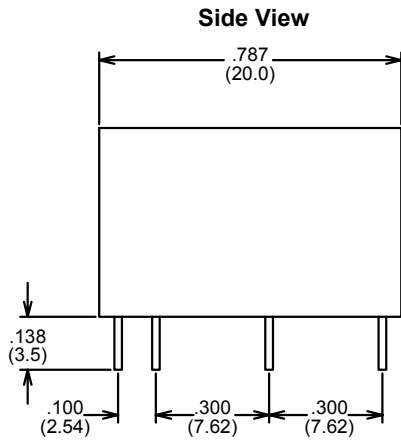
| | | | | | |
|-------------------------|-------|-----|-----|---|----|
| Example: | PC458 | -1A | -12 | S | -5 |
| Model | | | | | |
| Contact Form | | | | | |
| 1A | | | | | |
| Coil Voltage | | | | | |
| Enclosure | | | | | |
| S: Sealed; C: Flux Free | | | | | |
| Contact Rating | | | | | |
| 3: 3 AMP; 5: 5 AMP | | | | | |

COIL DATA

| Coil Voltage | Resistance ohms $\pm 10\%$ | Must Operate Voltage Max. (VDC) | Must Release Voltage Min. (VDC) | Continuous Voltage Max. (VDC) |
|--------------|-------------------------------|---------------------------------------|---------------------------------------|-------------------------------------|
| 3 | 75 | 2.2 | 0.15 | 3.3 |
| 5 | 208 | 3.5 | 0.25 | 5.5 |
| 6 | 300 | 4.2 | 0.30 | 6.6 |
| 9 | 675 | 6.3 | 0.45 | 9.9 |
| 12 | 1200 | 8.4 | 0.60 | 13.2 |
| 18 | 2700 | 12.6 | 0.90 | 19.8 |
| 24 | 3200 | 16.8 | 1.20 | 26.4 |

Note: Custom coil voltages within the ranges shown are available on special order.

**Dimensions in Inches (millimeters)
Drawings are 2X actual size**



Hole Pattern



Wiring Diagram

Notes:

Tolerances $\pm .010$ unless otherwise noted
 Relays previously tested or used above 10mA at 6VDC or higher
 are not recommended for subsequent use in low level applications



3220 Commander Drive, Suite 102, Carrollton, Texas 75006

Sales: Call Toll Free (888) 997-3933 Fax (818) 342-5296 email: pickerwest@sbcglobal.net URL: pickercomponents.com