

Video Scan Doubler

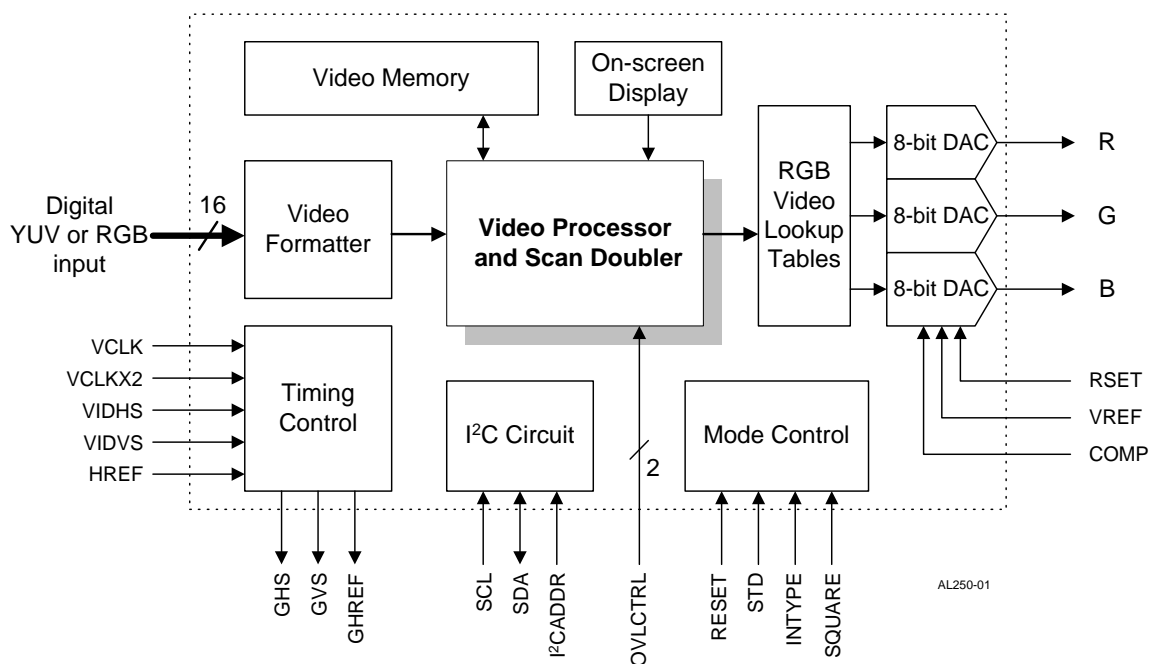
Applications

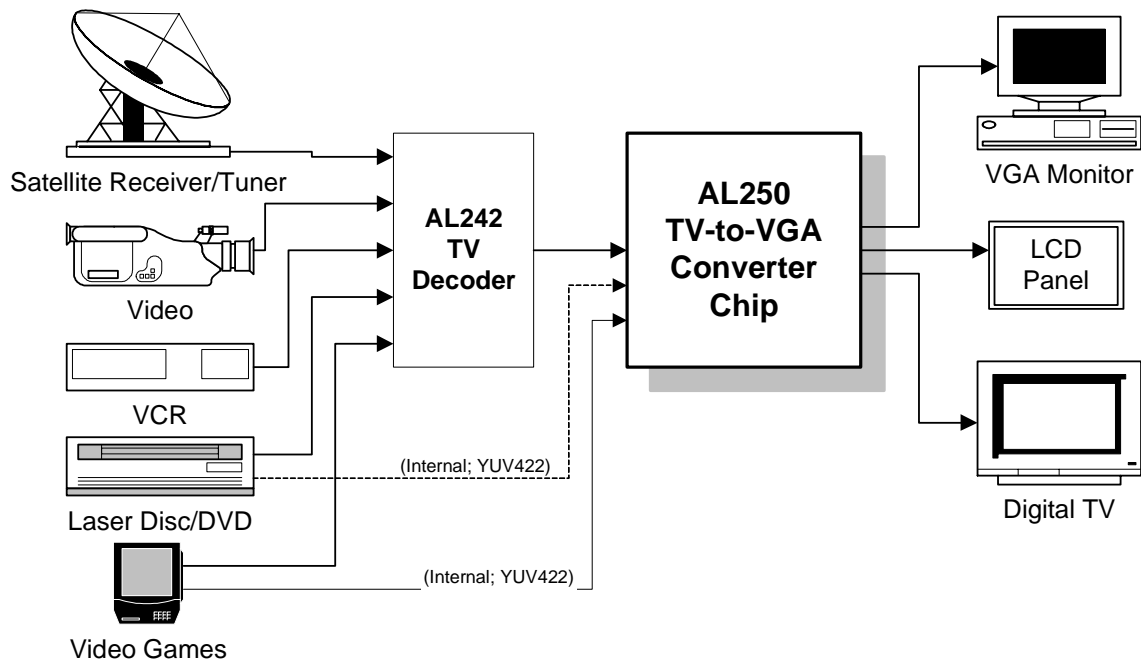
- TV Ready Multimedia Computer Monitor
- TV to PC Video Scan Converter Box
- Progressive Scan TV
- Video Game Station
- DVD Player
- Portable VCD Player
- LCD Monitor w/VGA Input
- Video Based Set-top Box
- LCD Projector

Description

The AL250 Video Scan Doubler (De-Interlacer) is a video conversion chip for consumer video and multimedia applications. It converts interlaced NTSC or PAL, ITU-R BT 601 (CCIR601) or square pixel, YUV422 or RGB565 digital signals into computer monitor RGB signals for direct connection to a computer monitor or progressive scan TV.

- Convert interlaced YUV/RGB (NTSC/PAL) into non-interlaced RGB format for CRT or LCD monitors
- Highly integrated design with built-in DAC, SRAM, OSD and LUT
- Built-in on-screen-display with programmable bitmap
- Advanced digital line interpolation with no tearing or jagged edge artifacts
- Reduced interlace flicker
- Auto NTSC/PAL detect
- Digital video input of square pixel, ITU-R BT 601 (CCIR 601), or user-defined format
- I²C programming interface
- Internal RGB video lookup table (LUT) to provide gamma correction
- Overlay support for title making and complex on-screen display
- Self-initialization without software (Plug & Play)
- 3.3 or 5 volt support





AL250 Typical Applications

AL250-02

By using I²C interface control, the AL250 can also be programmed to co-ordinate with various input resolutions, adjust screen positioning and crop video noise from around the original input video boundary.

The internal RGB video lookup tables (LUT), which are controlled via the I²C interface, can provide gamma correction for calibrating the color accuracy of different types of CRT's and improving the contrast level to display more vivid pictures.

A built-in on-screen-display (OSD) with programmable bitmap RAM allows custom design icons and on-screen control panels.

Overlay function is supported to create titling or on-screen-display menus for video adjustment.

The AverLogic proprietary digital signal processing technology creates a highly stable video image without tearing effects or jagged edges. The output picture is smoother and has less flicker than the original input signal/picture.

This technology also keeps the gate count of the AL250 scan doubler low while outputting high quality video compared to competitors products. This will help expand the market for video applications, especially the cost sensitive ones.

For more information about the AL250 or the other products from AverLogic, please contact your local authorized representatives, visit our website, or contact us directly.

DISTRIBUTED BY:

www.averlogic.com