



W83176R-401

W83176G-401

Winbond Current Mode
Differential Buffer
for PCI Express and SATA

Date: May,2006 Revision: 0.6

W83176R-401, W83176G-401



CURRENT MODE DIFFERENTIAL BUFFER FOR PCI EXPRESS AND SATA

W83176R-401/W83176G-401 Datasheet Revision History

| | PAGES | DATES | VERSION | WEB VERSION | MAIN CONTENTS |
|----|-------|----------|---------|-------------|---|
| 1 | n.a. | 06/05/04 | 0.5 | n.a. | All of the versions before 0.50 are for internal use. |
| 2 | | 05/16/06 | 0.6 | n.a | Add Pb-free part no : W83176G-401 |
| 3 | | | | | |
| 4 | | | | | |
| 5 | | | | | |
| 6 | | | | | |
| 7 | | | | | |
| 8 | | | | | |
| 9 | | | | | |
| 10 | | | | | |

W83176R-401, W83176G-401



CURRENT MODE DIFFERENTIAL BUFFER FOR PCI EXPRESS AND SATA

Table of Content-

| | | |
|-----|---|----|
| 1. | GENERAL DESCRIPTION | 1 |
| 2. | PRODUCT FEATURES | 1 |
| 3. | PIN CONFIGURATION | 2 |
| 4. | BLOCK DIAGRAM | 3 |
| 5. | PIN DESCRIPTION..... | 4 |
| 5.1 | Clock Outputs | 4 |
| 5.2 | Power Pins..... | 5 |
| 6. | I ² C CONTROL AND STATUS REGISTERS | 6 |
| 6.1 | Register 0: Control Register (Default: 07h) | 6 |
| 6.2 | Register 1: Control Register (Default: FFh)..... | 6 |
| 6.3 | Register 2: Control Register (Default: 00h) | 6 |
| 6.4 | Register 3: Reserved Register (Default: 00h) | 7 |
| 6.5 | Register 4: Winbond Chip ID – Project Code Register (Default: 11h)..... | 7 |
| 6.6 | Register 5: Test Register (Default: 00h)..... | 7 |
| 7. | ACCESS INTERFACE | 8 |
| 7.1 | Block Write protocol | 8 |
| 7.2 | Block Read protocol | 8 |
| 7.3 | Byte Write protocol | 8 |
| 7.4 | Byte Read protocol | 8 |
| 8. | ORDERING INFORMATION..... | 9 |
| 9. | HOW TO READ THE TOP MARKING | 9 |
| 10. | PACKAGE DRAWING AND DIMENSIONS..... | 10 |

W83176R-401, W83176G-401



CURRENT MODE DIFFERENTIAL BUFFER FOR PCI EXPRESS AND SATA

1. GENERAL DESCRIPTION

The W83176R-401 supports eight current mode differential Clock pair's buffer output companion devices to CK409 or CK410 clock generator.

The W83176R-401 provides I²C serial bus interface to program the registers to enable or disable each clock outputs. The W83176R-401 accepts a reference clock as its input current mode differential pair's clock.

2. PRODUCT FEATURES

- Eight current mode differential clock pairs clock outputs
- Support zero delay buffer mode and normal buffer mode
- Supports every clock pairs hardware output enable/disable pin
- Programmable PLL bandwidth
- Support PLL or NORMAL mode buffer output
- Low Skew outputs (< 50ps)
- Low cycle to cycle jitter (<100ps)
- I²C 2-Wire serial interface and supports Byte or Block Data R/W
- 48-pin SSOP package

W83176R-401, W83176G-401



CURRENT MODE DIFFERENTIAL BUFFER FOR PCI EXPRESS AND SATA

3. PIN CONFIGURATION

| | | | |
|-------------|----|----|-----------|
| SRC_DIV # | 1 | 48 | VDDA |
| VDD | 2 | 47 | GND |
| GND | 3 | 46 | IREF |
| SRCT_IN | 4 | 45 | LOCK |
| SRCC_IN | 5 | 44 | OE_7* |
| OE_0* | 6 | 43 | OE_4* |
| OE_3* | 7 | 42 | DIFT7 |
| DIFT0 | 8 | 41 | DIFC7 |
| DIFC0 | 9 | 40 | GND |
| GND | 10 | 39 | VDD |
| VDD | 11 | 38 | DIFT6 |
| DIFT1 | 12 | 37 | DIFC6 |
| DIFC1 | 13 | 36 | OE_6* |
| OE_1* | 14 | 35 | OE_5* |
| OE_2* | 15 | 34 | DIFT5 |
| DIFT2 | 16 | 33 | DIFC5 |
| DIFC2 | 17 | 32 | GND |
| GND | 18 | 31 | VDD |
| VDD | 19 | 30 | DIFT4 |
| DIFT3 | 20 | 29 | DIFC4 |
| DIFC3 | 21 | 28 | HIGH_BW# |
| PLL/NORMAL# | 22 | 27 | SRC_STOP# |
| SCLK * | 23 | 26 | PD# |
| SDATA * | 24 | 25 | GND |

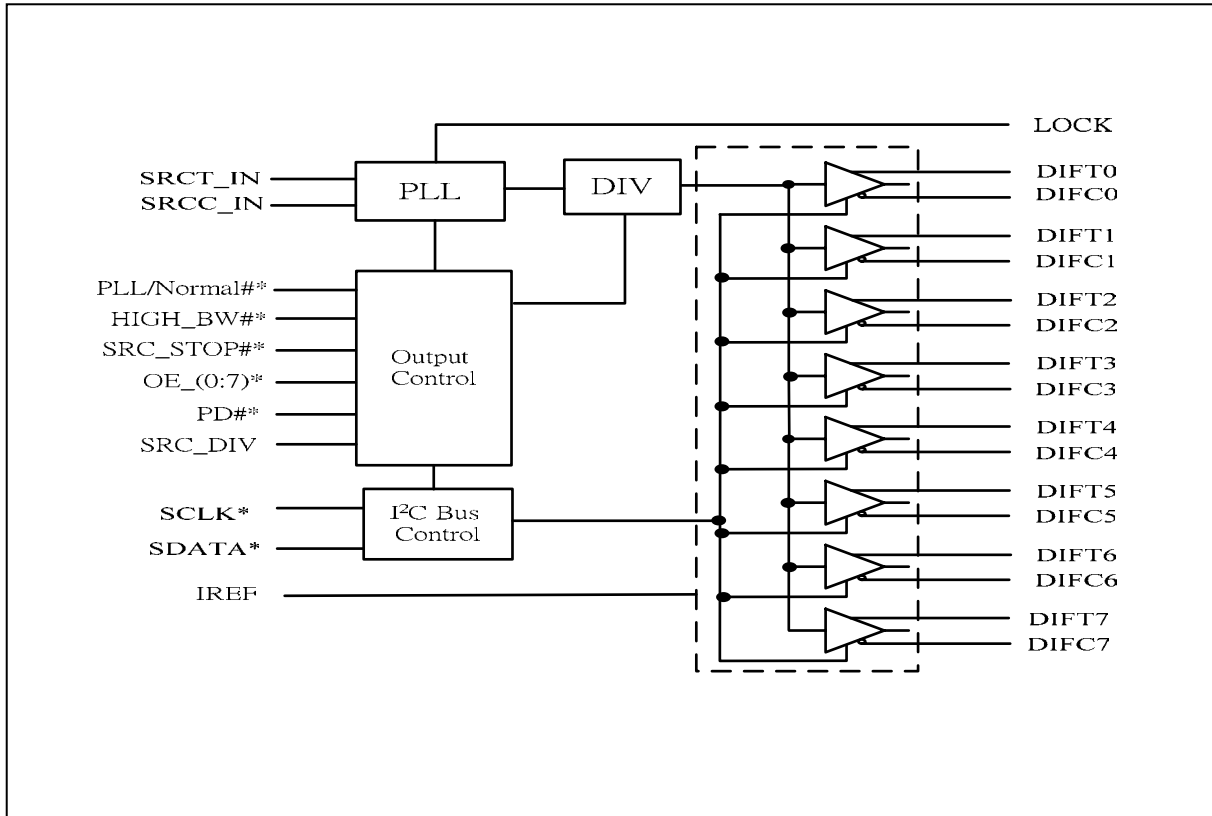
*: Internal pull-up resistor 120K to VDD

W83176R-401, W83176G-401



CURRENT MODE DIFFERENTIAL BUFFER FOR PCI EXPRESS AND SATA

4. BLOCK DIAGRAM



W83176R-401, W83176G-401



CURRENT MODE DIFFERENTIAL BUFFER FOR PCI EXPRESS AND SATA

5. PIN DESCRIPTION

| BUFFER TYPE SYMBOL | DESCRIPTION |
|----------------------|--|
| IN | Input |
| OUT | Output |
| IN _{tp120k} | Latched input at power up, internal 120kΩ pull up. |
| * | Internal 120kΩ pull-up |
| # | Low Active |

5.1 Clock Outputs

| PIN | PIN NAME | TYPE | DESCRIPTION |
|---|--------------------|----------------------|--|
| 4,5 | SRCT_IN SRCC_IN | IN | 0.7V SRC Differential clock inputs. |
| 8,9,12,13,16, 17,20,21,30, 29,34,33,38, 37,42,41 | DIFT/C (0:7) | OUT | 0.7V Differential clock pair outputs. |
| 1 | SRC_DIV | IN | For selecting input frequency divided by two, active low |
| 6,14,15,7, 43,35,36,44 | OE_(0:7)* | IN | DIFT/C (1:7) output control, 0=Tri-state, 1=Enable output, This is internal 120K pull up. |
| 23 | SCLK * | IN | Serial clock of I ² C 2-wire control interface Internal pull-up resistor 120K to VDD |
| 24 | SDATA * | I/O | Serial data of I ² C 2-wire control interface Internal pull-up resistor 120K to VDD |
| 26 | PD#* | IN | Active low to power down the device into low power state is stopped VCO and all output buffers, This is internal 120K pull up. |
| 27 | SRC_STOP#* | IN | Active low to stop differential output buffers, This is internal 120K pull up. |
| 28 | HIGH_BW#* | IN _{tp120k} | Latched input at power up to selecting PLL Band Width 0=HIGH, 1=LOW, This is internal 120K pull up. |
| 46 | IREF | IN | Deciding the reference current for the Differential clock pairs. The pin was connected to the precision resistor tied to ground to decide the appropriate current; 475 ohm is the standard value for 0.7V differential clock output. |
| 45 | LOCK | OUT | Latched output, transitions high when PLL lock is achieved. |
| 22 | PLL/NORMAL# | IN | 1= PLL mode, 0=NORMAL buffer mode. |

W83176R-401, W83176G-401



CURRENT MODE DIFFERENTIAL BUFFER FOR PCI EXPRESS AND SATA

5.2 Power Pins

| PIN | PIN NAME | DESCRIPTION |
|---------------------|----------|---------------------------|
| 3,10,18,25,32,40,47 | GND | Ground |
| 2,11,19,31,39 | VDD | Power Supply 3.3V |
| 48 | VDDA | Analog power supply, 3.3V |

W83176R-401, W83176G-401



CURRENT MODE DIFFERENTIAL BUFFER FOR PCI EXPRESS AND SATA

6. I²C CONTROL AND STATUS REGISTERS

6.1 Register 0: Control Register (Default: 07h)

| BIT | NAME | PWD | DESCRIPTION |
|-----|-------------|-----|--|
| 7 | PD_DM | 0 | PD# Drive mode, 0:driven, 1:Hi-Z |
| 6 | SRC_ST_DM | 0 | SRC_STOP Drive mode, 0:driven, 1:Hi-Z |
| 5 | SEL_SRCDIV | 0 | 0:control by pin, 1:control by I2C |
| 4 | SEL_NORMAL | 0 | 0:control by pin, 1:control by I2C |
| 3 | SEL_PLLBW | 0 | 0:control by pin, 1:control by I2C |
| 2 | PLL_BW_ADJ | 1 | 0:High BW, 1:Low BW |
| 1 | NORMAL#/PLL | 1 | 0:Normal buffer, 1:PLL mode |
| 0 | SRC_DIV# | 1 | 0:Divided by 2 mode, 1:Normal (output=input) |

6.2 Register 1: Control Register (Default: FFh)

| BIT | NAME | PWD | DESCRIPTION |
|-----|---------|-----|-----------------------------|
| 7 | DIF7_EN | 1 | 0:Disabled (Hi-Z), 1:Enable |
| 6 | DIF6_EN | 1 | 0:Disabled (Hi-Z), 1:Enable |
| 5 | DIF5_EN | 1 | 0:Disabled (Hi-Z), 1:Enable |
| 4 | DIF4_EN | 1 | 0:Disabled (Hi-Z), 1:Enable |
| 3 | DIF3_EN | 1 | 0:Disabled (Hi-Z), 1:Enable |
| 2 | DIF2_EN | 1 | 0:Disabled (Hi-Z), 1:Enable |
| 1 | DIF1_EN | 1 | 0:Disabled (Hi-Z), 1:Enable |
| 0 | DIF0_EN | 1 | 0:Disabled (Hi-Z), 1:Enable |

6.3 Register 2: Control Register (Default: 00h)

| BIT | NAME | PWD | DESCRIPTION |
|-----|-------------|-----|-------------------------|
| 7 | DIF7STOP_EN | 0 | 0:Free-run, 1:Stoppable |
| 6 | DIF6STOP_EN | 0 | 0:Free-run, 1:Stoppable |
| 5 | DIF5STOP_EN | 0 | 0:Free-run, 1:Stoppable |
| 4 | DIF4STOP_EN | 0 | 0:Free-run, 1:Stoppable |
| 3 | DIF3STOP_EN | 0 | 0:Free-run, 1:Stoppable |
| 2 | DIF2STOP_EN | 0 | 0:Free-run, 1:Stoppable |
| 1 | DIF1STOP_EN | 0 | 0:Free-run, 1:Stoppable |
| 0 | DIF0STOP_EN | 0 | 0:Free-run, 1:Stoppable |

W83176R-401, W83176G-401



CURRENT MODE DIFFERENTIAL BUFFER FOR PCI EXPRESS AND SATA

6.4 Register 3: Reserved Register (Default: 00h)

| BIT | NAME | PWD | DESCRIPTION |
|-----|----------|-----|-------------|
| 7 | Reserved | 0 | Reserved |
| 6 | Reserved | 0 | Reserved |
| 5 | Reserved | 0 | Reserved |
| 4 | Reserved | 0 | Reserved |
| 3 | Reserved | 0 | Reserved |
| 2 | Reserved | 0 | Reserved |
| 1 | Reserved | 0 | Reserved |
| 0 | Reserved | 0 | Reserved |

6.5 Register 4: Winbond Chip ID – Project Code Register (Default: 11h)

| BIT | NAME | PWD | DESCRIPTION |
|-----|-------------|-----|--|
| 7 | CHPI_ID [7] | 0 | Winbond Chip ID. W83176R-401 (SA5911). |
| 6 | CHPI_ID [6] | 0 | Winbond Chip ID. |
| 5 | CHPI_ID [5] | 0 | Winbond Chip ID. |
| 4 | CHPI_ID [4] | 1 | Winbond Chip ID. |
| 3 | CHPI_ID [3] | 0 | Winbond Chip ID. |
| 2 | CHPI_ID [2] | 0 | Winbond Chip ID. |
| 1 | CHPI_ID [1] | 0 | Winbond Chip ID. |
| 0 | CHPI_ID [0] | 1 | Winbond Chip ID. |

6.6 Register 5: Test Register (Default: 00h)

| BIT | NAME | PWD | DESCRIPTION |
|-----|----------|-----|-------------|
| 7 | TEST1 | 0 | Reserved |
| 6 | TEST0 | 0 | Reserved |
| 5 | Reserved | 0 | Reserved |
| 4 | Reserved | 0 | Reserved |
| 3 | Reserved | 0 | Reserved |
| 2 | Reserved | 0 | Reserved |
| 1 | Reserved | 0 | Reserved |
| 0 | Reserved | 0 | Reserved |

W83176R-401, W83176G-401

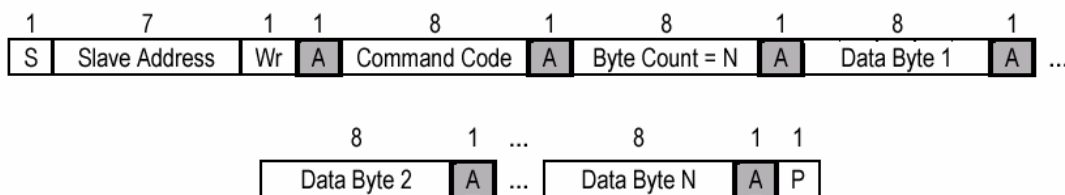


CURRENT MODE DIFFERENTIAL BUFFER FOR PCI EXPRESS AND SATA

7. ACCESS INTERFACE

The W83176R-401 provides I²C Serial Bus for microprocessor to read/write internal registers. In the W83176R-401 is provided Block Read/Block Write and Byte-Data Read/Write protocol. The I²C write address is defined at 0xDC. The I²C read address is defined at 0xDD.

7.1 Block Write protocol

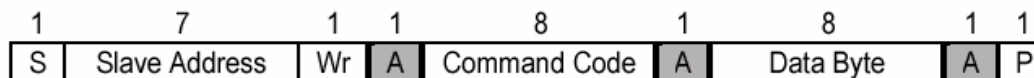


7.2 Block Read protocol

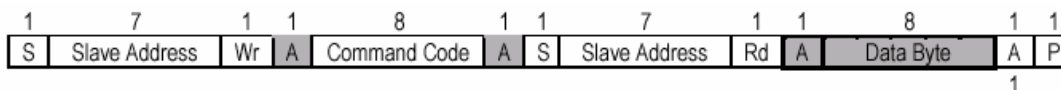


In block mode, the command code must filled '00h'

7.3 Byte Write protocol



7.4 Byte Read protocol



In Byte Mode, the index No= (Register No) + 1

W83176R-401, W83176G-401

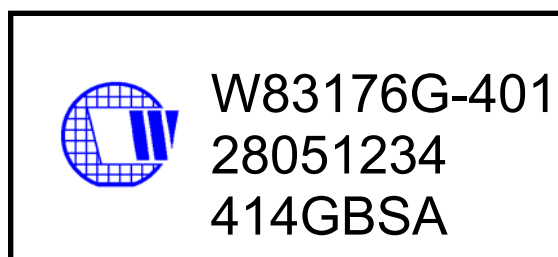
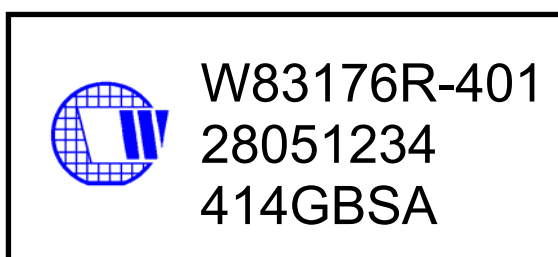


CURRENT MODE DIFFERENTIAL BUFFER FOR PCI EXPRESS AND SATA

8. ORDERING INFORMATION

| PART NUMBER | PACKAGE TYPE | PRODUCTION FLOW |
|-------------|-------------------------------|--------------------------|
| W83176R-401 | 48 PIN SSOP | Commercial, 0°C to +70°C |
| W83176G-401 | 48 PIN SSOP (Pb-free package) | Commercial, 0°C to +70°C |

9. HOW TO READ THE TOP MARKING



1st line: Winbond logo and the type number: W83176R-401, W83176G-401(Pb-free part no)

2nd line: Tracking code 2 8051234

2: wafers manufactured in Winbond FAB 2

8051234: wafer production series lot number

3rd line: Tracking code 414 G B SA

414: packages made in '2004, week 14

G: assembly house ID; O means OSE, G means GR

B: IC revision

SA: For internal use

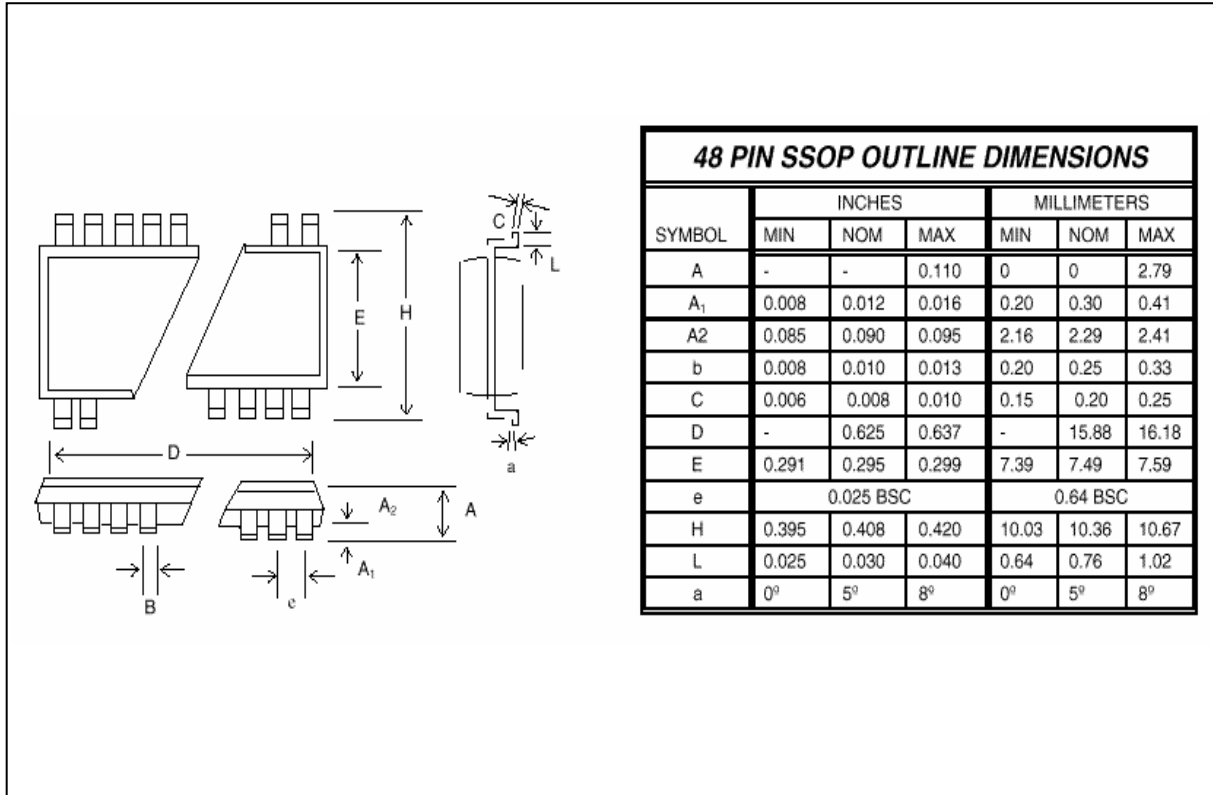
All the trademarks of products and companies mentioned in this datasheet belong to their respective owners.

W83176R-401, W83176G-401



CURRENT MODE DIFFERENTIAL BUFFER FOR PCI EXPRESS AND SATA

10. PACKAGE DRAWING AND DIMENSIONS



W83176R-401, W83176G-401



CURRENT MODE DIFFERENTIAL BUFFER FOR PCI EXPRESS AND SATA

Important Notice

Winbond products are not designed, intended, authorized or warranted for use as components in systems or equipment intended for surgical implantation, atomic energy control instruments, airplane or spaceship instruments, transportation instruments, traffic signal instruments, combustion control instruments, or for other applications intended to support or sustain life. Further more, Winbond products are not intended for applications wherein failure of Winbond products could result or lead to a situation wherein personal injury, death or severe property or environmental damage could occur.

Winbond customers using or selling these products for use in such applications do so at their own risk and agree to fully indemnify Winbond for any damages resulting from such improper use or sales.



Headquarters

No. 4, Creation Rd. III,
Science-Based Industrial Park,
Hsinchu, Taiwan
TEL: 886-3-5770066
FAX: 886-3-5665577
<http://www.winbond.com.tw/>

Taipei Office

9F, No.480, Rueiguang Rd.,
Neihu District, Taipei, 114,
Taiwan, R.O.C.
TEL: 886-2-8177-7168
FAX: 886-2-8751-3579

Winbond Electronics Corporation America

2727 North First Street, San Jose,
CA 95134, U.S.A.
TEL: 1-408-9436666
FAX: 1-408-5441798

Winbond Electronics Corporation Japan

7F Daini-ueno BLDG, 3-7-18
Shinyokohama Kohoku-ku,
Yokohama, 222-0033
TEL: 81-45-4781881
FAX: 81-45-4781800

Winbond Electronics (Shanghai) Ltd.

27F, 2299 Yan An W. Rd. Shanghai,
200336 China
TEL: 86-21-62365999
FAX: 86-21-62365998

Winbond Electronics (H.K.) Ltd.

Unit 9-15, 22F, Millennium City,
No. 378 Kwun Tong Rd.,
Kowloon, Hong Kong
TEL: 852-27513100
FAX: 852-27552064

*Please note that all data and specifications are subject to change without notice.
All the trademarks of products and companies mentioned in this datasheet belong to their respective owners.*