

SG12864A (128 DOTS X 64 DOTS)

■ FEATURES

- ◆ BUILT-IN CONTROLLER (KS0107 OR EQUIVALENT)
- ◆ +5 V POWER SUPPLY
- ◆ 1/64 DUTY CYCLE
- ◆ 8-BIT PARALLEL INTERFACE
- ◆ 4.2 V LED FORWARD VOLTAGE

■ MECHANICAL DATA

ITEM	DIMENSIONS	UNIT
Module Size (W x H x T)	93.0 x 70.0 x 8.8 (12.7 LED)	mm
Viewing Area (W x H)	72.0 x 40.0	mm
Active Area (W x H)	66.52 x 33.24	mm
Dot Size (W x H)	0.48 x 0.48	mm
Dot Pitch (W x H)	0.52 x 0.52	mm

■ INTERFACE PIN CONNECTIONS

NO.	SYMBOL	LEVEL	FUNCTION
1	V _{SS}	0V	Power Supply Ground
2	V _{DD}	5V	Power Supply Voltage
3	V ₀	-	Contrast Adjustment Voltage
4	D/I	H/L	H : Data, L : Instruction Code
5	R/W	H/L	H : Read / L : Write
6	E	H→L	Enable Signal
7~14	DB0~DB7	H/L	Data Bus Line
15	CS1	H	Chip Select Signal For IC1
16	CS2	H	Chip Select Signal For IC2
17	/RES	L	Reset Signal
18	V _{out}	-	Power Supply Voltage For LCD
19	A	4.2V	LED Power (+)
20	K	0V	LED Power (-)

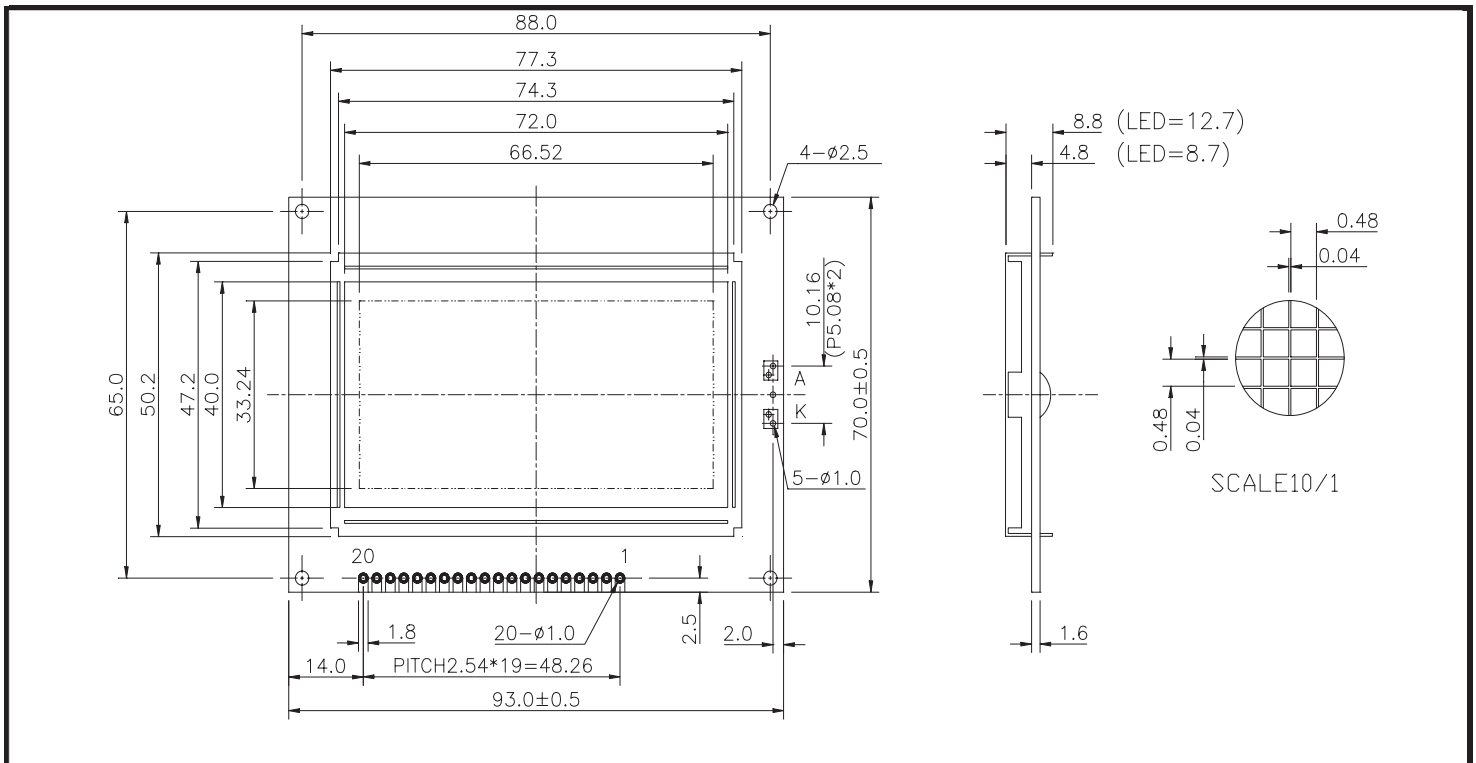
■ ABSOLUTE MAXIMUM RATINGS

ITEM	SYMBOL	MIN.	TYP.	MAX.	UNIT
Supply Voltage For Logic	V _{DD} -V _{SS}	0	-	7	V
Supply Voltage For LCD Drive	V _{DD} -V ₀	0	-	14	V
Input Voltage	V _I	V _{SS}	-	V _{DD}	V

■ ELECTRICAL CHARACTERISTICS

ITEM	SYMBOL	CONDITION	MIN.	TYP.	MAX.	UNIT	
Supply Voltage For Logic	V _{DD} -V _{SS}	-	4.5	5	5.5	V	
Supply Voltage For LCD	V _{DD} -V ₀	V _{DD} =5V Ta=25°C	7.6	8.3	9.2	V	
Supply Current	I _{DD}	V _{DD} =5V	-	4.5	10	mA	
Input Voltage	"HIGH" Level	V _{IH}	-	2.2	-	V _{DD}	V
	"LOW" Level	V _{IL}	-	-	-	0.6	V
Output Voltage	"HIGH" Level	V _{OH}	-	2.4	-	V	V
	"LOW" Level	V _{OL}	-	-	-	0.4	V

■ EXTERNAL DIMENSIONS





SG12864A (128 DOTS X 64 DOTS)

■ TIMING CHARACTERISTICS

ITEM	SYMBOL	MIN.	TYP.	MAX.	UNIT.	FIG
E Cycle Time	t_{CYC}	1000	-	-	ns	1,2
E High Level Width	P_{WEH}	450	-	-	ns	1,2
E Low Level Width	P_{WEL}	450	-	-	ns	1,2
E Rise Time	t_r	-	-	25	ns	1,2
E Fall Time	t_f	-	-	25	ns	1,2
Address Setup Time	t_{AS}	140	-	-	ns	1,2
Address Hold Time	t_{AH}	10	-	-	ns	1,2
Data Setup Time	t_{DSW}	200	-	-	ns	1
Data Delay Time	t_{DDR}	-	-	320	ns	2
Data Hold Time	Write	t_{DHW}	10	-	ns	1
Data Hold Time	Read	t_{DHR}	20	-	ns	2

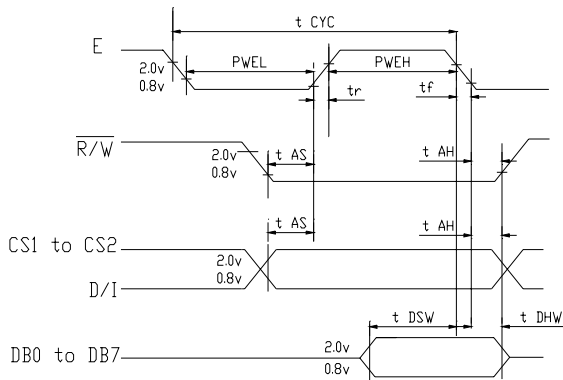


Fig1:CPU Write Timing

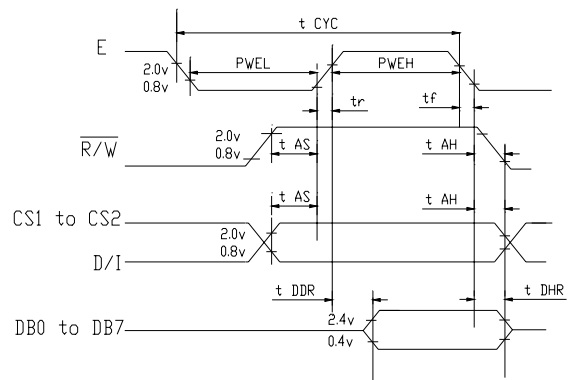


Fig2:CPU Read Timing

■ BLOCK DIAGRAM

