

Worldwide Input System Compact type AC Adaptors ASR04* Series

Adaptors, Chargers

OUTLINE

Mitsumi standard case provided for use in all major 200V regions of the world. Meets requirements for safety and EMC in those regions. Regions for use include Japan, U.S.A., Europe, U.K., Korea, China, Australia, Argentina, others.



FEATURES

1. Mitsumi standard case.
2. Input voltage : AC100V to 240V
3. Output capacity : 4W (customer can specify output voltage and current)

USES

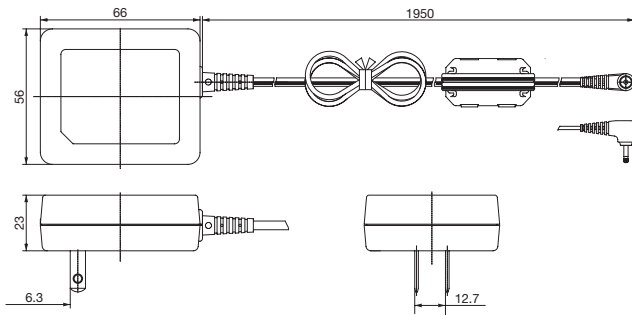
MD/CD players, Portable devices.

SPECIFICATIONS

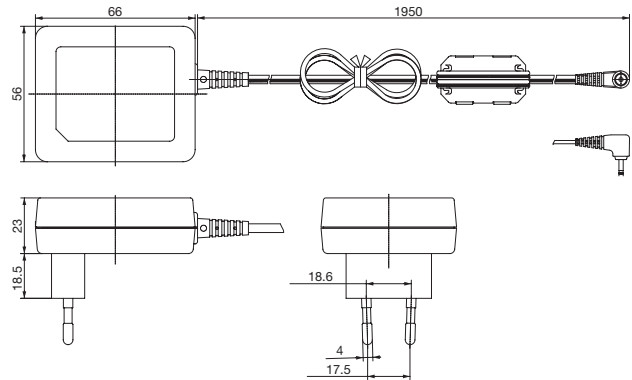
Item	Specifications
Input voltage	AC100~240V(50~60Hz)
Output capacity	4W
Applicable regions	Japan, U.S.A., Europe, U.K., Korea, China, Australia, Argentina, others
Safety standards	UL1310, CSA, IEC60065, Electrical Appliance and Materials Safety Law (Japan)
External dimensions	56(W)×66(L)×23~34(H)mm

DIMENSIONS

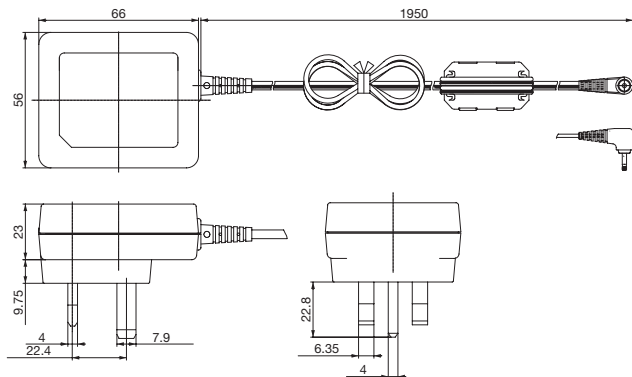
ASR04*PJA/PUC (Japan · U.S.A)



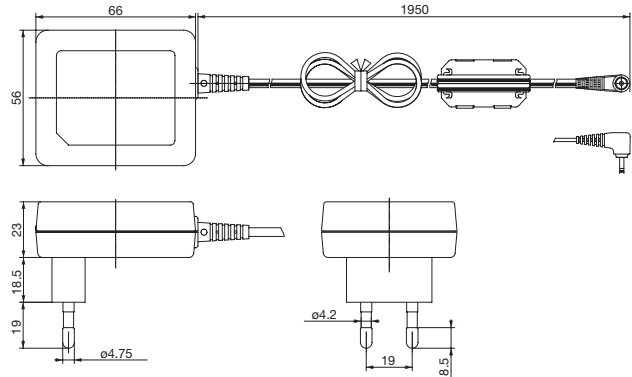
ASR04*PEK (Europe · Singapore)



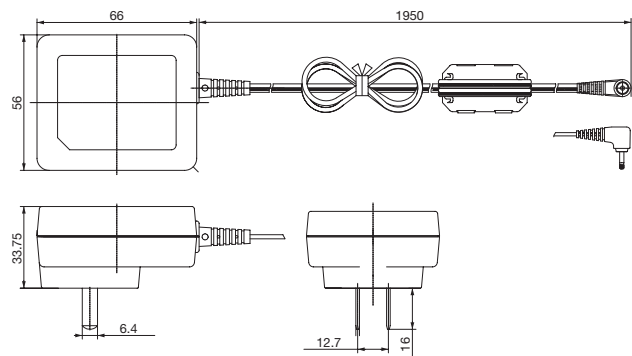
ASR04*PBS (U.K. · Hong Kong)



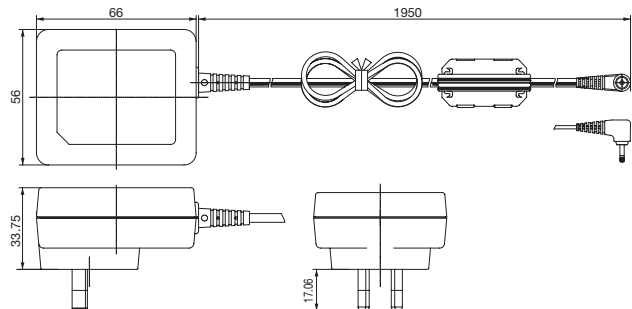
ASR04*PME (Korea)



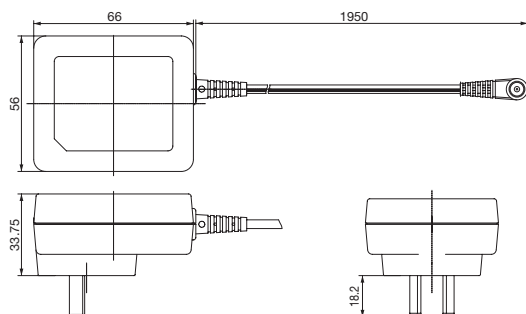
ASR04*PCH (China)



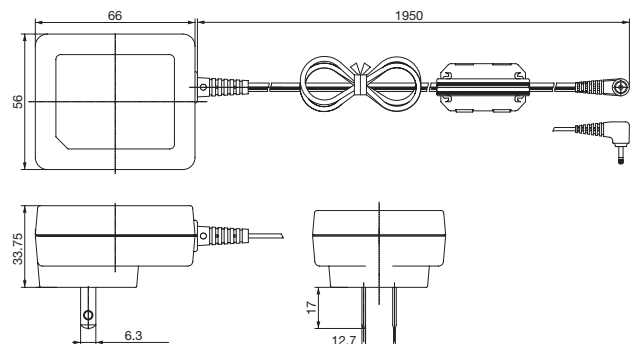
ASR04*PME (Australia)



ASR04*PME (Argentina)



ASR04*PWW (Japan · Tourist)



Unit : mm