

BGF200

Microphone Filter and ESD Protection

Small Signal Discretes



Never stop thinking

Edition 2006-10-17

**Published by
Infineon Technologies AG
81726 München, Germany**

**© Infineon Technologies AG 2006.
All Rights Reserved.**

Legal Disclaimer

The information given in this document shall in no event be regarded as a guarantee of conditions or characteristics ("Beschaffenhheitsgarantie"). With respect to any examples or hints given herein, any typical values stated herein and/or any information regarding the application of the device, Infineon Technologies hereby disclaims any and all warranties and liabilities of any kind, including without limitation warranties of non-infringement of intellectual property rights of any third party.

Information

For further information on technology, delivery terms and conditions and prices please contact your nearest Infineon Technologies Office (www.infineon.com).

Warnings

Due to technical requirements components may contain dangerous substances. For information on the types in question please contact your nearest Infineon Technologies Office.

Infineon Technologies Components may only be used in life-support devices or systems with the express written approval of Infineon Technologies, if a failure of such components can reasonably be expected to cause the failure of that life-support device or system, or to affect the safety or effectiveness of that device or system. Life support devices or systems are intended to be implanted in the human body, or to support and/or maintain and sustain and/or protect human life. If they fail, it is reasonable to assume that the health of the user or other persons may be endangered.

BGF200

Revision History: 2006-10-17, V2.1

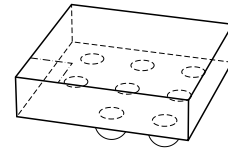
Previous Version: 2006-03-16

Page	Subjects (major changes since last revision)
All	Layout conformation

Microphone Filter and ESD Protection

Feature

- Microphone filter
- Integrated ESD protection up to 15 kV
- Low input impedance
- More than 30 dB stopband attenuation
- Ideal for GSM/UMTS
- Wafer Level Package with SnAgCu-Bumps



WLP-8-1, -2, -4

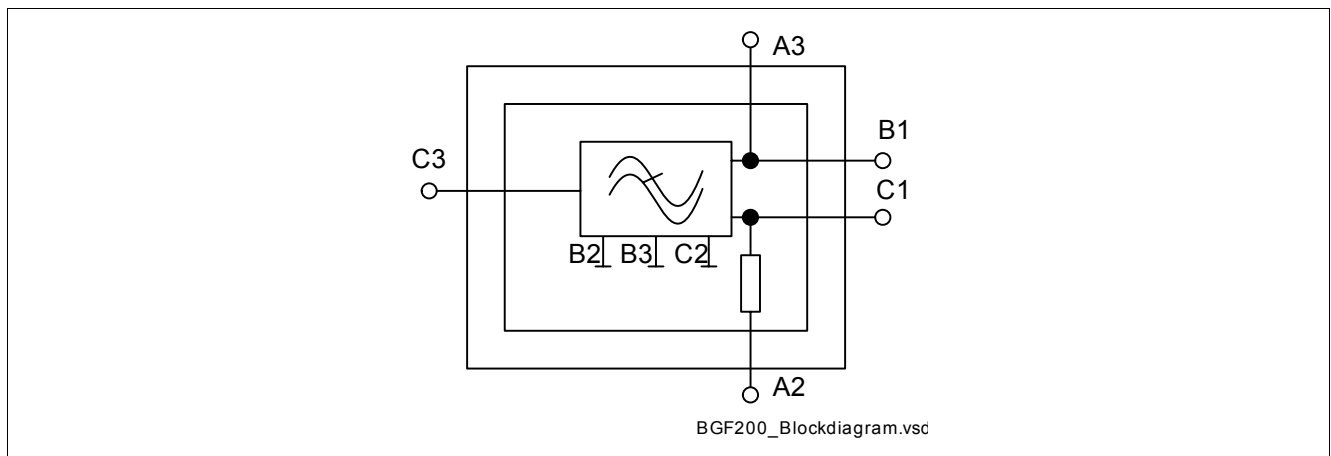


Figure 1 Blockdiagram

Description

The BGF200 is a microphone filter with low pass characteristic offering a very high stop band attenuation up to 6 GHz. All pins are protected against ESD. The wafer level package is a green package with a size of only 1.6 mm x 1.6 mm and a total height of 0.65 mm.

Type	Package	Marking	Chip
BGF200	WLP-8-4	GF200	N0703

Table 1 Maximum Ratings

Parameter	Symbol	Values			Unit	Note / Test Condition
		Min.	Typ.	Max.		
Voltage at pin A2 to GND	V_{A2}	0		4.0	V	
Voltage at all other pins to GND	V_P	-14		14	V	
Operating temperature range	T_{OP}	-40		+85	°C	
Storage temperature range	T_{STG}	-65		+150	°C	
Summed up input power for all pins	P_{IN}			25	mW	$T_A < 70\text{ °C}$

Electrostatic Discharge According to IEC61000-4-2¹⁾

Between pins C3 and B3	V_E	-15		15	kV	
Between all other pins	V_I	-2		2	kV	

1) Contact discharge

Table 2 Electrical Characteristics¹⁾

Parameter	Symbol	Values			Unit	Note / Test Condition
		Min.	Typ.	Max.		
Resistors R_1, R_2, R_4	$R_{1,2,4}$	2090	2200	2310	Ω	
Resistor R_3, R_5	$R_{3,5}$	47.5	50	52.5	Ω	
Capacitances C_1, C_2, C_3, C_4	$C_{1,2,3,4}$	800	1000	1350	pF	
Capacitances C_5	C_5	120	150	200	pF	
Substrate leakage currents all pins to GND	I			100	nA	$V_R = 3\text{ V}$
Insertion loss ²⁾ pins C_3 to B_1, C_1	IL	30			dB	$F = 0.1... 6\text{ GHz}$, $Z_S = Z_L = 50\ \Omega$

1) at $T_A = 25\text{ }^\circ\text{C}$

2) Insertion loss (see also [Figure 3](#)) strongly depends upon source and load impedance. For RF test purposes a $50\ \Omega$ environment is used.

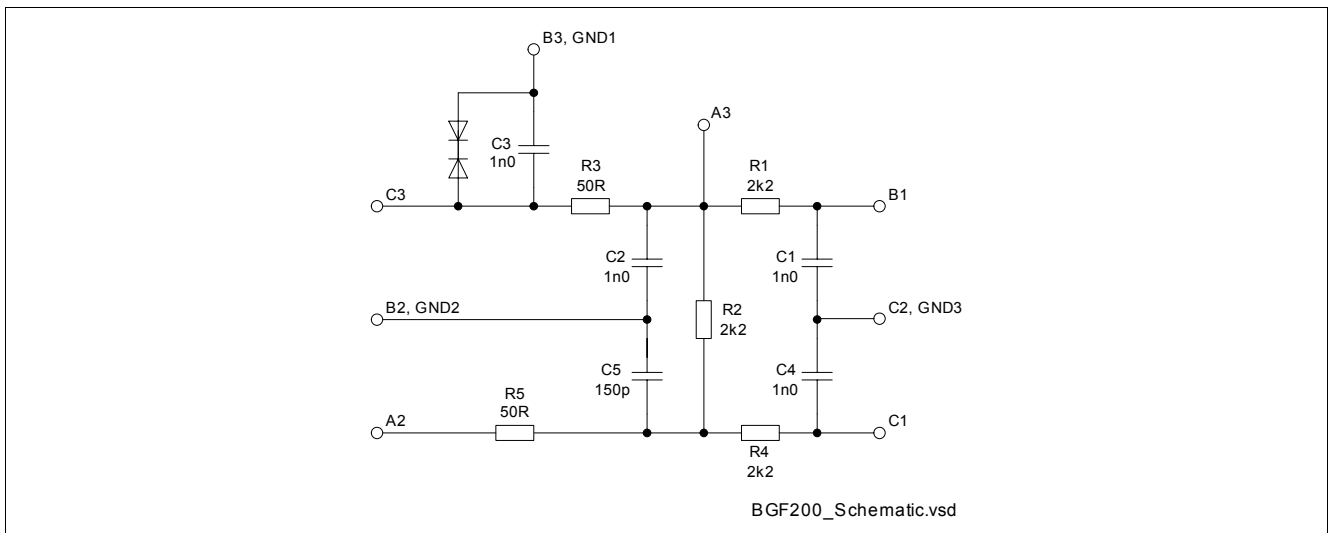


Figure 2 Schematic

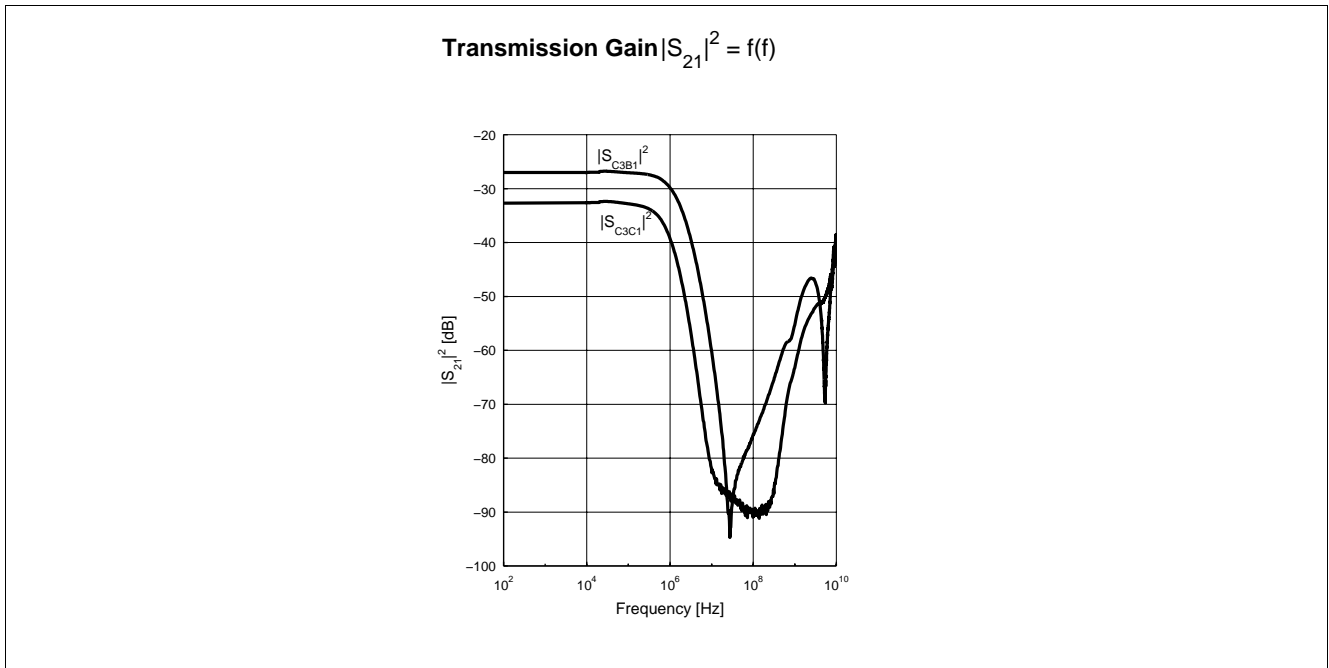


Figure 3 Transmission C3 - B1, C3 - C1

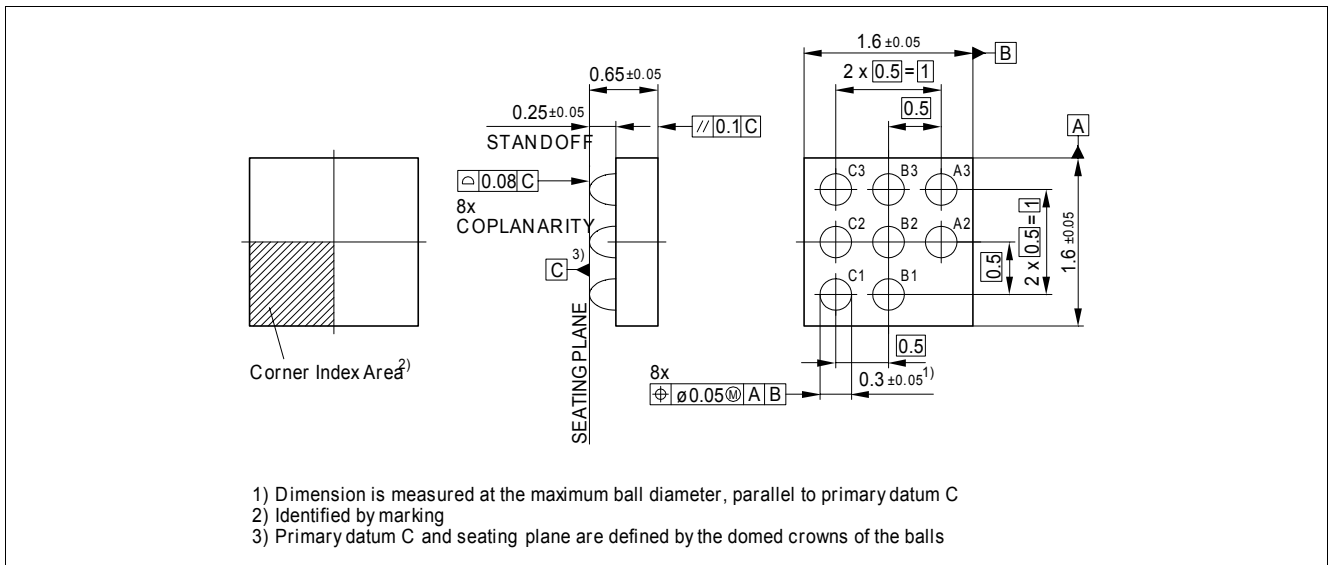


Figure 4 Package Outline WLP-8-4

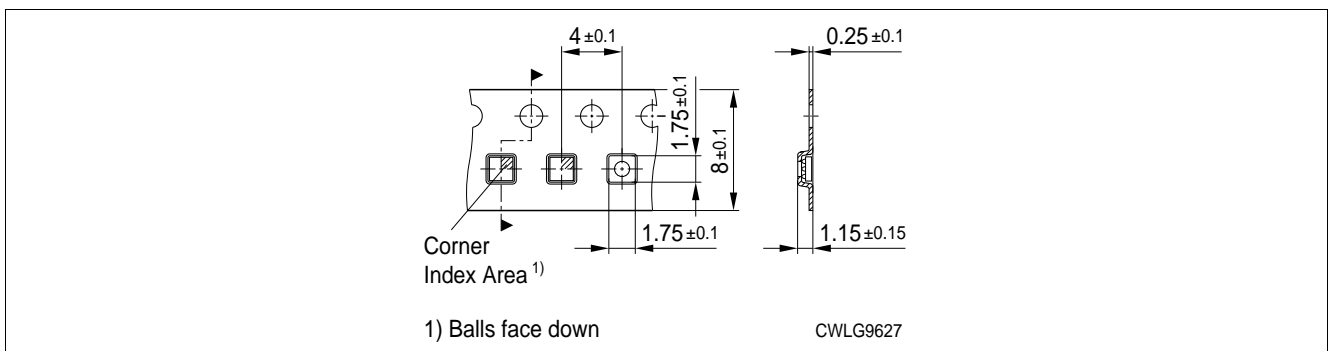


Figure 5 Tape for WLP-8-4