

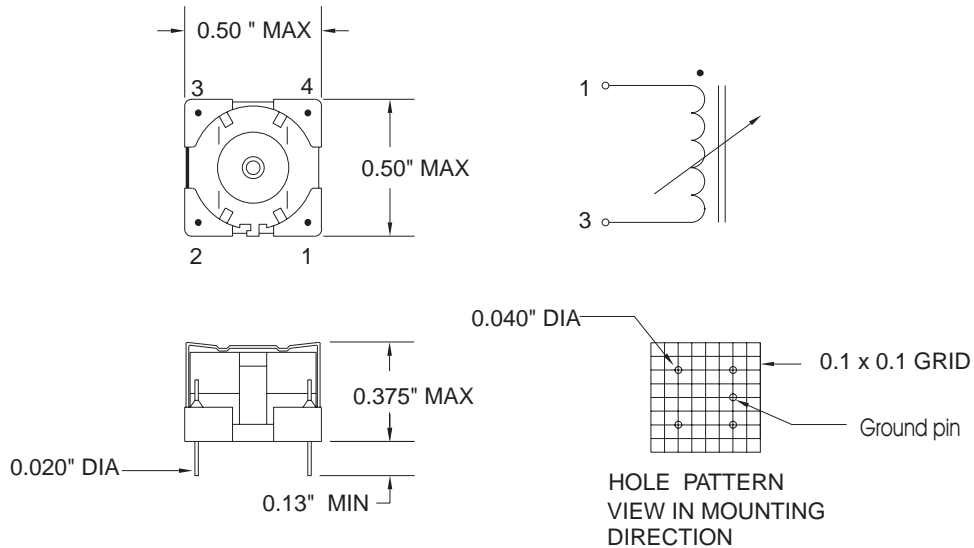
CFS 2914 is an adjustable inductor (clock extractor coil) for **MITEL MH89790** device.

The MH89790 has a built in clock extraction circuit, which creates a 2.048 MHz clock synchronized to the received E2 signal. The free-running frequency of the oscillator is controlled by an external tunable inductor. The inductor should be tuned to provide a frequency of 2.048 MHz \pm 200 Hz.

Typical applications are:

- PBX or computer to T1/CEPT Digital trunks.
- High speed data link using T1/CEPT Digital trunks.
- TDM Multiplexers.
- ISDN Voice/Data.

MECHANICAL



ELECTRICAL SPECIFICATIONS

Inductance range	μ H	34 - 39	
DC Resistance	Ohms	6.5	nom.
Distributed Capacitance	pF	2.5	nom.

ISSUE: C 94/112/12 CFS2914.chp