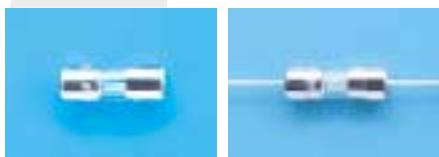


## Type 2JQ / 3JQ Quick Acting Fuse Series

5 x 15mm Glass Tube  
RoHS Compliant

JQD1105



### Electrical Characteristics (UL/CSA STD. 248 -14)

Testing current	Blow Time	
	Minimum	Maximum
100%	4 hrs	N/A
135%	N/A	1 hr
200%	N/A	1 sec

### Approvals



Safety Agency Approvals	Type	Amp range / Volt @ I.R. ability
UL Recognized File No. E20624	2JQ/3JQ	100mA - 7A / 350V AC @ 100A 100mA - 7A / 140V DC @ 150A
CSA Acceptance File No. LR39772	2JQ/3JQ	100mA - 7A / 350V AC @ 100A
File No. JET1037-31003-1001, JET1037-31003-1003	2JQ/3JQ	1A - 5A / 125V AC @ 500A
File No. JET1037-31003-1002	2JQ	>5A - 15A / 125V AC @ 300A

### RoHS Compliant Product

For RoHS Compliant Version, add suffix "R" after catalog number

### Operating Temperature

-55°C to +125°C

### Physical Specification

#### Materials

Glass body / Nickel Plated Brass Caps

LeadWire:

Tin plated copper, Diameter 0.032"

#### Option

With Heat Shrink Tubing (VW-1) over body

#### Marking

On fuse:

"bel", "JQ", "Current Rating", "350V",

"Appropriate Safety Logos", "✓" (RoHS Version)

On label:

"bel", "2JQ" or "3JQ", "Current Rating", "Voltage Rating",

"Interrupting Rating", "Appropriate Safety Logos"

and "PS E" + suffix "R" for RoHS Version

#### Packaging

1. In bulk:

2JQ - 2,000 pcs; 3JQ - 500 pcs per box

2. On Axial Tape & Reel:

1,500 pcs per reel

3. Tape & Reel specification:

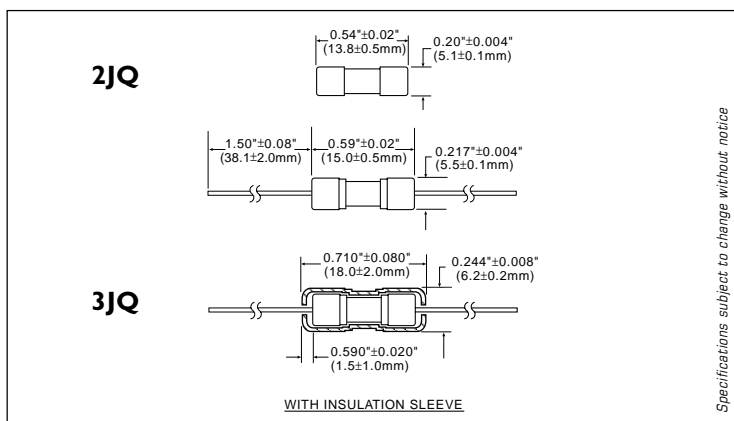
per EIA-296-E & IEC 286-1 @ 10mm Pitch and 52.4mm inside Tape Spacing

Catalog Number	RoHS Suffix	Ampere Rating	Typical Cold Resistance (ohm)	Volt-drop @100% I <sub>n</sub> (Volt) max.	Melting I <sup>2</sup> T < 10 mSec (A <sup>2</sup> Sec)	Melting I <sup>2</sup> T @ 10 I <sub>n</sub> (A <sup>2</sup> Sec)	Maximum Power Dissipation (W)
JQ 100	-R	100mA	4.40	1.98	0.00097	0.0010	0.29
JQ 125	-R	125mA	4.20	1.84	0.0019	0.0020	0.035
JQ 150	-R	150mA	3.31	1.73	0.004	0.004	0.041
JQ 200	-R	200mA	2.00	1.63	0.007	0.008	0.048
JQ 250	-R	250mA	1.45	1.54	0.014	0.015	0.057
JQ 300	-R	300mA	1.18	1.44	0.026	0.029	0.067
JQ 350	-R	350mA	0.994	1.40	0.036	0.040	0.072
JQ 400	-R	400mA	0.490	0.550	0.050	0.057	0.079
JQ 500	-R	500mA	0.320	0.500	0.10	0.11	0.092
JQ 600	-R	600mA	0.260	0.480	0.14	0.16	0.10
JQ 750	-R	750mA	0.190	0.450	0.26	0.30	0.12
JQ 1	-R	1A	0.120	0.320	0.62	0.65	0.21
JQ 1.25	-R	1.25A	0.070	0.140	0.80	0.82	0.26
JQ 1.5	-R	1.5A	0.056	0.135	1.4	1.4	0.32
JQ 2	-R	2A	0.041	0.131	2.3	2.5	0.39
JQ 2.5	-R	2.5A	0.031	0.126	4.0	4.3	0.48
JQ 3	-R	3A	0.025	0.122	4.6	5.6	0.59
JQ 3.5	-R	3.5A	0.023	0.120	9	10	0.66
JQ 4	-R	4A	0.018	0.118	12	13	0.73
JQ 5	-R	5A	0.015	0.114	20	23	0.9
JQ 6	-R	6A	0.012	0.110	35	40	1.1
JQ 7	-R	7A	0.010	0.108	46	53	1.2

Consult manufacturer for other ratings

\*2JQ are cartridge fuses  
3JQ are pigtail fuses

### Mechanical Dimensions



Specifications subject to change without notice

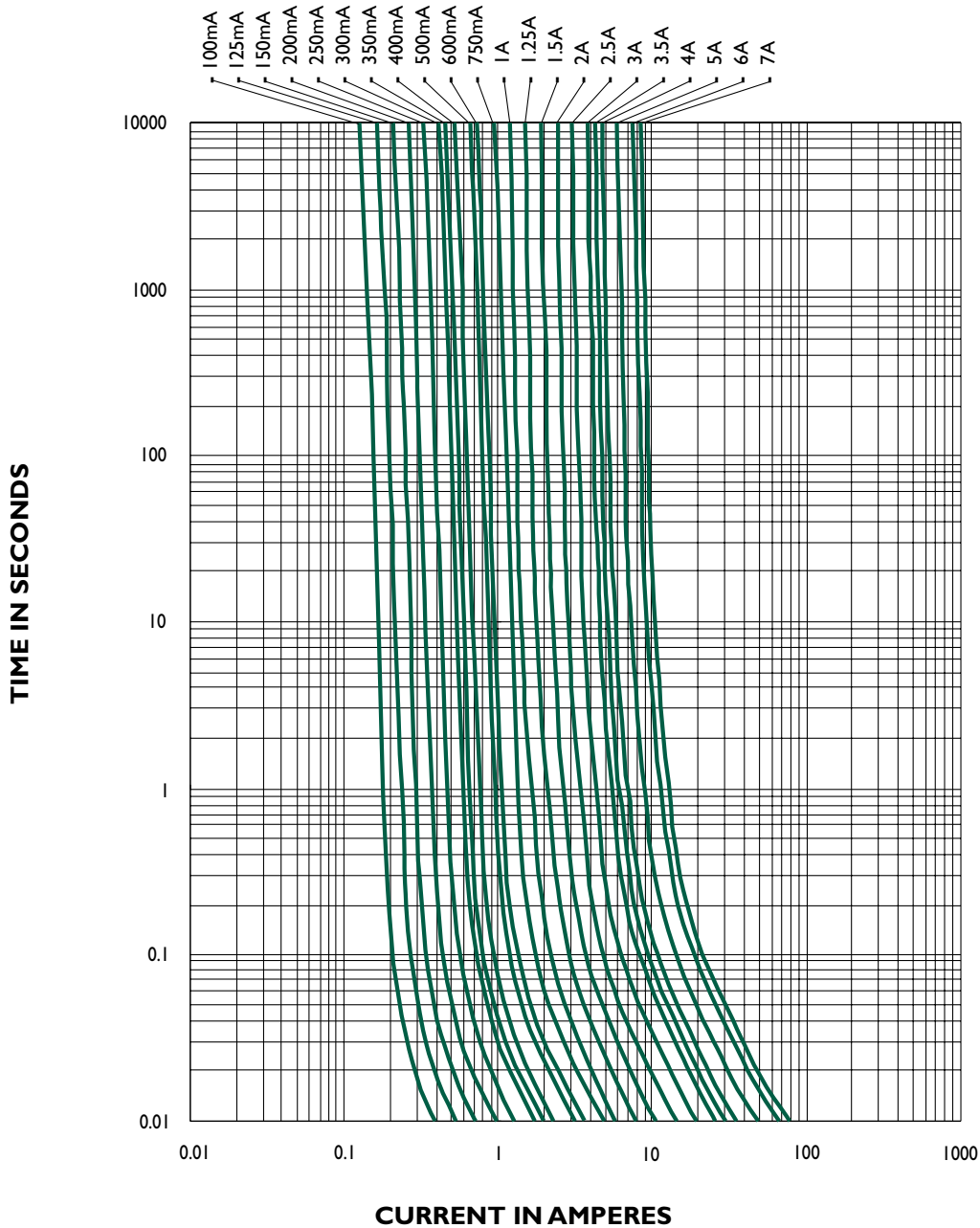
ORDERING INFORMATION SEE LAST 2 PAGES

**Type 2JQ / 3JQ**  
Quick Acting Fuse Series

5 x 15mm Glass Tube  
RoHS Compliant

JQC1005

**2JQ / 3JQ - TIME CURRENT CHARACTERISTIC CURVE**



Specifications subject to change without notice

NOTE - see important information under "User Guide" on P.08

**Corporate Office**  
**Bel Fuse Inc.**  
206 Van Vorst Street, Jersey City, NJ 07302  
Tel: 201-432-0463  
Fax: 201-432-9542  
E-Mail: [belfuse@belfuse.com](mailto:belfuse@belfuse.com)  
Website: [www.belfuse.com](http://www.belfuse.com)

**Far East Office**  
**Bel Fuse Ltd.**  
8F/8 Luk Hop Street  
San Po Kong  
Kowloon, Hong Kong  
Tel: 852-2328-5515  
Fax: 852-2352-3706

**European Office**  
**Bel Fuse Europe Ltd.**  
Preston Technology Management Centre  
Marsh Lane, Preston PR1 8UD  
Lancashire, U.K  
Tel: 44-1772-556601  
Fax: 44-1772-888366