



No.3298

LB1730

**High-Voltage, High-Current,
Darlington Driver**

Functions and Features

- Four independent high-voltage (85V), high-current (1.5A) Darlington driver
- On-chip spark killer diode
- Capable of being operated direct by 5V TTL
- NPN input high-active type

Absolute Maximum Ratings at Ta=25°C

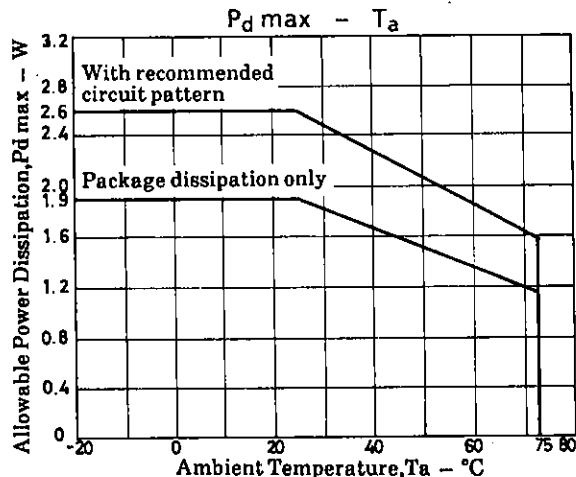
			unit
Maximum Supply Voltage	V _{CC} max	85	V
Applied Output Voltage	V _{OUT}	85	V
Applied Input Voltage	V _{IN}	15	V
Output Current	I _{OUT}	1.5	A
Spark Killer Diode	I _{FS}	1.5	A
Forward Current			
Allowable Power Dissipation	P _d max (With recommended circuit board pattern ; 2.6W)	1.9	W
Operating Temperature	T _{opr}	-20 to +75	°C
Storage Temperature	T _{stg}	-55 to +150	°C

Allowable Operating Conditions at Ta=25°C

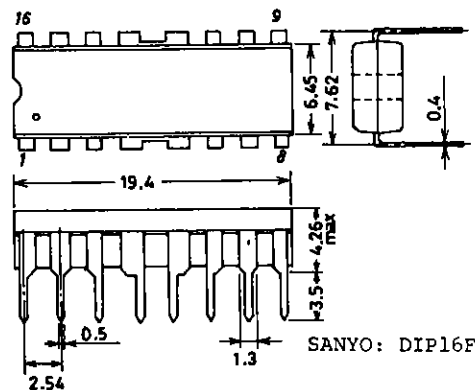
			unit
Applied Output Voltage	V _{OUT}	85	V
Input ON-Level Voltage	V _{IN on} I _{OUT} =1.0A	2.0 to 15	V
Input OFF-Level Voltage	V _{IN off} I _{OUT} ≤30μA	-0.3 to +0.3	V

Electrical Characteristics at Ta=25°C

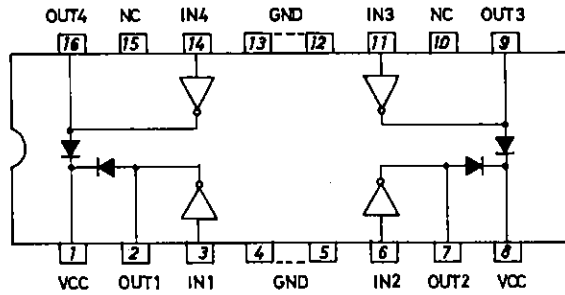
			min	typ	max	unit
Output Saturation Voltage	V _{o sat1} V _{IN} =5.0V, I _{OUT} =0.5A				1.2	V
	V _{o sat2} V _{IN} =5.0V, I _{OUT} =1.0A				1.5	V
	V _{o sat3} V _{IN} =5.0V, I _{OUT} =1.5A				2.0	V
Output Sustain Voltage	V _{o sus} I _{OUT} =100mA	85				V
Input Current	I _{IN} V _{IN} =5.0V		11	15		mA
Spark Killer Diode	V _{FS} I _{FS} =1.5A				3.0	V
Forward Voltage						
Spark Killer Diode	I _{RS} V _{CC} =85V, V _{OUT} =0V				30	μA
Reverse Current						



Package Dimensions 3054A-D16FIC
(unit : mm)

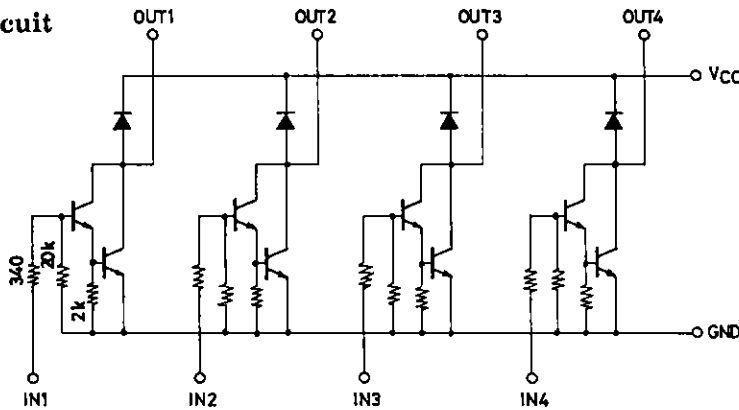


Pin Assingment

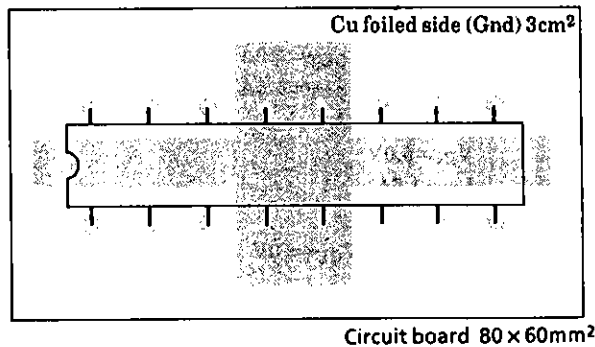


Note) · V_{CC} (pins 1 and 8) are shorted internally
 · Do not use NC pin.

Equivalent Circuit



Sample Printed Pattern Circuit



■ No products described or contained herein are intended for use in surgical implants, life-support systems, aerospace equipment, nuclear power control systems, vehicles, disaster/crime-prevention equipment and the like, the failure of which may directly or indirectly cause injury, death or property loss.

■ Anyone purchasing any products described or contained herein for an above-mentioned use shall:

- ① Accept full responsibility and indemnify and defend SANYO ELECTRIC CO., LTD., its affiliates, subsidiaries and distributors and all their officers and employees, jointly and severally, against any and all claims and litigation and all damages, cost and expenses associated with such use;
- ② Not impose any responsibility for any fault or negligence which may be cited in any such claim or litigation on SANYO ELECTRIC CO., LTD., its affiliates, subsidiaries and distributors or any of their officers and employees jointly or severally.

■ Information (including circuit diagrams and circuit parameters) herein is for example only; it is not guaranteed for volume production. SANYO believes information herein is accurate and reliable, but no guarantees are made or implied regarding its use or any infringements of intellectual property rights or other rights of third parties.