

T-46-23-10

HM 65788
16K x 4
HIGH SPEED CMOS SRAM

OCTOBER 1987

Features

- FAST ACCESS TIME : 25/35/45 ns
- STANDBY CURRENT : 15 mA
- OPERATING CURRENT : 100 mA
- ASYNCHRONOUS INPUTS
- TTL COMPATIBLE INPUTS AND OUTPUTS
- SINGLE 5 VOLT SUPPLY
- 300 MILS WIDTH PACKAGE
- CAPABLE OF WITHSTANDING GREATER THAN 2000V ELECTROSTATIC DISCHARGE
- WIDE TEMPERATURE RANGE : - 55°C TO + 125°C

2

Description

The HM 65788 is a high speed CMOS static RAM organised as 16384 x 4 bits. It is manufactured using MHS's high performance, CMOS technology.

Access times as fast as 25 ns are available with maximum power consumption of only 550 mW.

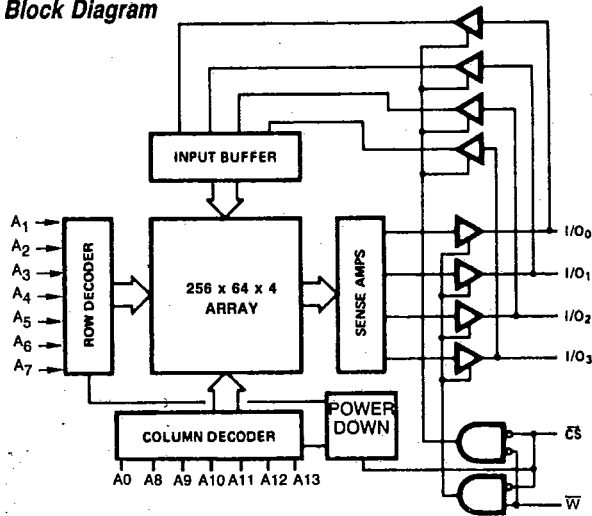
The HM 65788 features fully static operation requiring no external clocks or timing strobes, additionally the automatic power-down feature reduces the power consumption by 60 % when deselected. Easy memory expansion is provided by an active low chip select (CS) and three state drivers.

All inputs and outputs of the HM 65788 are TTL compatible and operate from a single 5V supply thus simplifying system design.

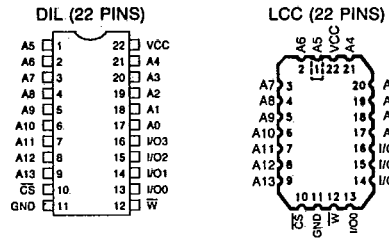
The HM 65788 is packaged in a plastic/ceramic 300 mils 22 pins DIL, SO 22 pins DIL or a 22 pins Leadless Chip Carrier allowing high board-level packing densities.

The HM 65788 is 100 % processed following the test methods of MIL STD 883C.

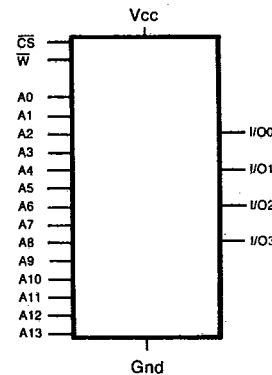
Block Diagram



Pinouts (TOP VIEW)



Logic Symbol



PIN NAMES

A0-A13	: Address inputs	Vcc	: Power
I/O	: Input/Output	W	: Write enable
CS	: Chip select	Gnd	: Ground

TRUTH TABLE

CS	W	Din	Dout	MODE
H	X	Z	Z	Deselect
L	H	Z	Valid	Read
L	L	Valid	Z	Write

L = Low, H = High, X = "H" or "L"