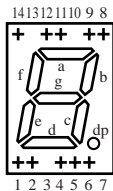


Numeric Display

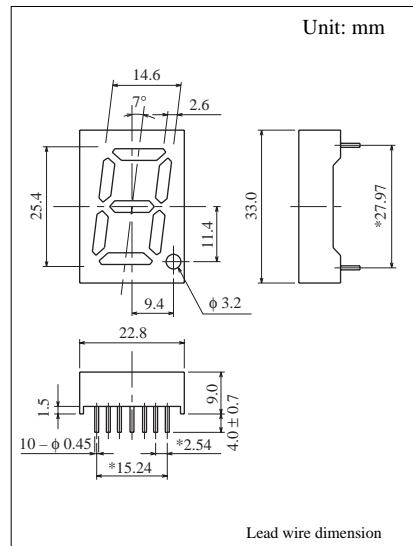
Two Color Lighting 1 Digit 25.4 mm (1.0") Series

Conventional Part No. Global Part No. Lighting Color
LN5110OGAMW LNM111AP01B Orange, Green

Terminal Connection



Pin No.	Assignment
1	Cathode e (Orange, Green)
2	Cathode d (Orange, Green)
3	—
4	Common Anode (Green)
5	Cathode c (Orange, Green)
6	Cathode dp (Orange, Green)
7	—
8	Cathode b (Orange, Green)
9	Cathode a (Orange, Green)
10	—
11	Common Anode (Orange)
12	Cathode f (Orange, Green)
13	—
14	Cathode g (Orange, Green)



■ Absolute Maximum Ratings (T_a = 25°C)

Lighting Color	P _D (mW)	I _F (mA)	I _{FP} (mA)*	V _R (V)	T _{opr} (°C)	T _{stg} (°C)
Orange	110	20	100	3	-25 ~ +80	-30 ~ +85
Green	110	20	100	5	-25 ~ +80	-30 ~ +85

I_{FP}の条件は duty 10% ,Pulse width 1 msec. The condition of I_{FP} is duty 10%, Pulse width 1 msec

■ Electro-Optical Characteristics (T_a = 25°C)

Conventional Part No.	Lighting Color	Common	I _O /seg		I _O /d.p		I _F	V _F		λ _P	Δλ	I _F	I _R	
			Typ	Min	Typ			Typ	Max				Typ	Max
LN5110OGAMW	Orange	Anode	5.0	2.5	1.5	15	4.2	5.6	630	40	20	10	6	
	Green		6.0	2.5	2.0	15	4.2	5.6	565	30	20	10	10	
Unit	—	—	μcd	μcd	μcd	mA	V	V	nm	nm	mA	μA	V	

