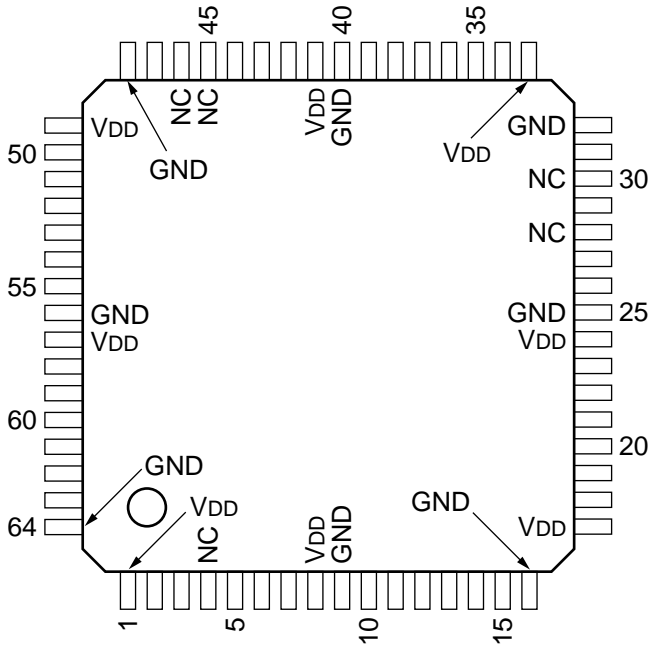


C-MOS SIGNAL PROCESSOR (DIGITAL VTR)

—TOP VIEW—



PIN No.	I/O	SIGNAL	PIN No.	I/O	SIGNAL	PIN No.	I/O	SIGNAL	PIN No.	I/O	SIGNAL
1	—	VDD	17	—	VDD	33	—	VDD	49	—	VDD
2	I	VFON	18	I/O	PB0	34	I/O	C7	50	I	XRST
3	I	HFON	19	I/O	PB1	35	I/O	C6	51	O	CEN
4	—	NC	20	I/O	PB2	36	I/O	C5	52	I	T2
5	I/O	SYNR	21	I/O	PB3	37	I/O	C4	53	I	T1
6	I/O	PRPB0	22	I/O	PB4	38	I/O	C3	54	O	T0
7	I/O	PRPB1	23	I/O	PB5	39	I/O	C2	55	I	CLK
8	—	VDD	24	—	VDD	40	—	GND	56	—	GND
9	—	GND	25	—	GND	41	—	VDD	57	—	VDD
10	I/O	PRPB2	26	I/O	PB6	42	I/O	C1	58	O	QEN
11	I/O	PRPB3	27	I/O	PB7	43	I/O	C0	59	O	PRB
12	I/O	PRPB4	28	—	NC	44	I/O	SYNP	60	O	PRB
13	I/O	PRPB5	29	I	XPAS	45	—	NC	61	O	NVP
14	I/O	PRPB6	30	—	NC	46	—	NC	62	O	NHP
15	I/O	PRPB7	31	I	MODE	47	I	CINV	63	I	REC
16	—	GND	32	—	GND	48	—	GND	64	—	GND

INPUT

CINV : PR/PB LINE SEQUENTIAL INVERT SIGNAL
 CLK : CLOCK
 HFON : HORIZONTAL FILTER ON/OFF (H : ON, L : OFF)
 MODE : OPERATION MODE SW
 REC : REC/PB SELECT (H : REC, L : PB)
 T1 : TEST SIGNAL
 T2 : TEST SIGNAL
 VFON : VERTICAL FILTER ON/OFF (H : ON, L : OFF)
 XPAS : THROUGH OUT PRPB ↔ C, SYN R ↔ SYN P
 XRST : RESET

OUTPUT

CEN : EXTERNAL SYNC TEST MONITOR
 QEN : TIMING GENERATOR TEST MONITOR
 NHP : TIMING GENERATOR TEST MONITOR
 NVP : TIMING GENERATOR TEST MONITOR
 PRB : TIMING GENERATOR TEST MONITOR
 PRB : TIMING GENERATOR TEST MONITOR
 T0 : TEST SIGNAL

INPUT/OUTPUT

C0 - C7 : PB DATA
 PB0 - PB7 : LINE SEQUENTIALIZE PR, PB DATA
 PRPB0 - PRPB7 : PR, PB DATA
 SYN P : CHROMA REFERENCE SYNC
 SYN R : PR/PB REFERENCE SYNC

MODE	PRPB0 – PRPB7
L	PR DATA
H	13.5 MHz RATE TIME MULTIPLEXED PR, PB DATA