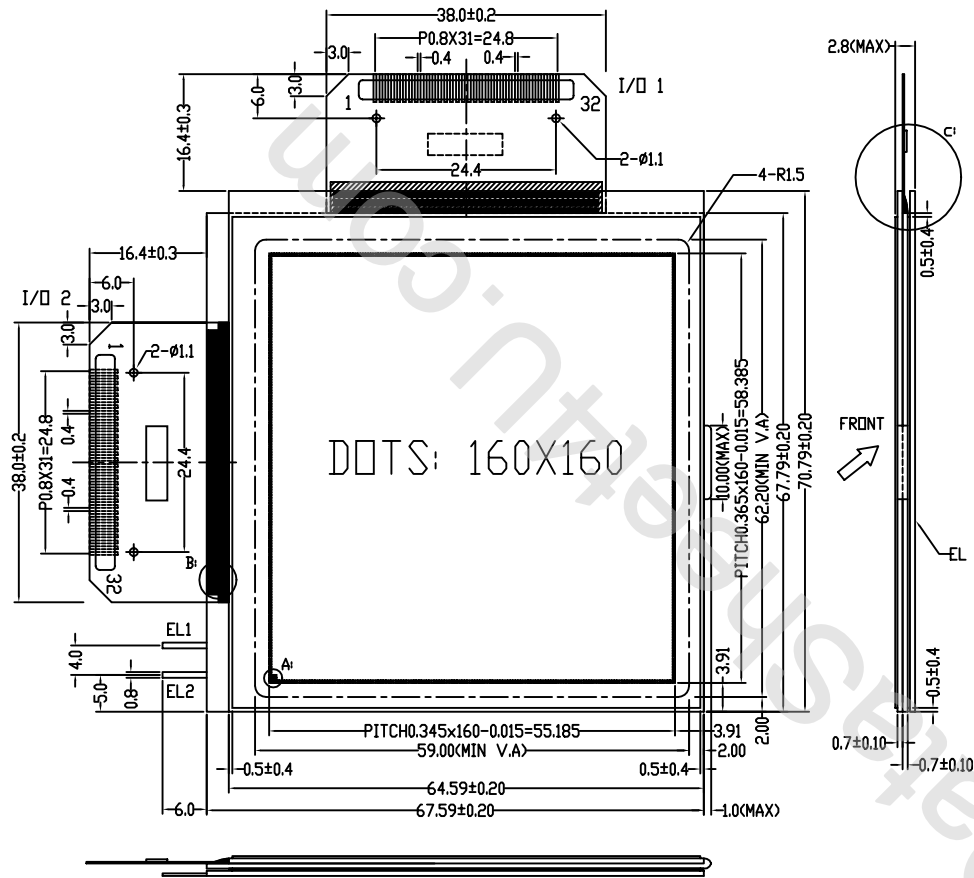


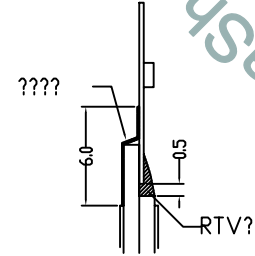
液晶之友 电话: 020-33819057
 Http://www.lcdfriends.com



I/O 1 I/O 2:

PIN	SYMBOL	PIN	SYMBOL
1	DUMMY	17	D5
2	V0R	18	D4
3	V12R	19	D3
4	V43R	20	D2
5	V5R	21	D1
6	VSS	22	D0
7	TEST2	23	EID2
8	TEST1	24	S/C
9	MD	25	VDD
10	FR	26	L/R
11	EID1	27	VSS
12	LP	28	V5L
13	DISPOFF	29	V43L
14	XCK	30	V12L
15	D7	31	VOL
16	D6	32	DUMMY

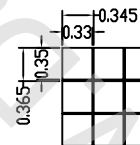
DETAIL C:



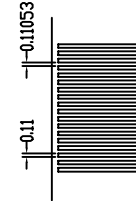
NOTES:

1. DISPLAY TYPE: STN/B-W MODE
2. VIEWING DIRECTION: 6:00
3. POLARIZER MODE: TRANSFLECTIVE/POSITIVE
4. DRIVE METHOD: 1/160 DUTY 1/13 BIAS
5. LCD OPERATING VOLTAGE: 17.5V
6. OPERATING TEMP.: -20°C~+70°C
7. STORAGE TEMP.: -30°C~+80°C
8. IC: NT7701H-TABF3 x 2
9. VDD=5.0V
10. FRONT POLARIZER: TMS-G1225-570
REAR POLARIZER: LN-1205HN-33
11. BACKLIGHT: EL(BLUE)
12. UNMARKED TOLERANCES: ±0.3mm

DETAIL A:



DETAIL B:



TIAN-MA MICROELECTRONICS CO.

6/F., CASTIC Building, Shennan Road, Central, Shenzhen, China

DRAWN BY:	TITLE: TM160160BCBWT1	
CHECKED BY:	DWG NO: G-1	
APPROVED BY:	DWG NAME: TM160160BCBWT1G-1	UNIT: mm
CONFIRMED BY:	SHEET NO: OF	