

Inverse DIN 41612 Header

Two Row Type Q (Rows A & B Filled)

7064 Series



- High density (64 position)
- Accepts 3435-1 keying plug system

Date Modified: February 19, 1999

TS-0428-06
Sheet 1 of 2

92

Physical

Insulation

Material: Glass Filled Polyester (PBT)
Flammability: UL 94V-0
Color: Gray

Contact

Material: Brass
Plating
Underplate: 79 μ " (2.00 μ m) Nickel — QQ-N-290, Class 2
Wiping Area: 15 μ " (0.38 μ m) Gold — MIL-G-45204, Type II, Grade C
Solder Tails: 200 μ " (5.08 μ m) 60/40 Tin Lead — MIL-P-81728

Electrical

Current Rating: 3 A
Insulation Resistance: $> 1 \times 10^{12} \Omega$ at 1000 Vdc
Withstanding Voltage: 1000 Vrms at Sea Level
Contact Resistance: < 15 Milliohms

Environmental

Temperature Rating: -55°C to $+125^{\circ}\text{C}$

UL File No.: E68080

3M Interconnect Solutions Division

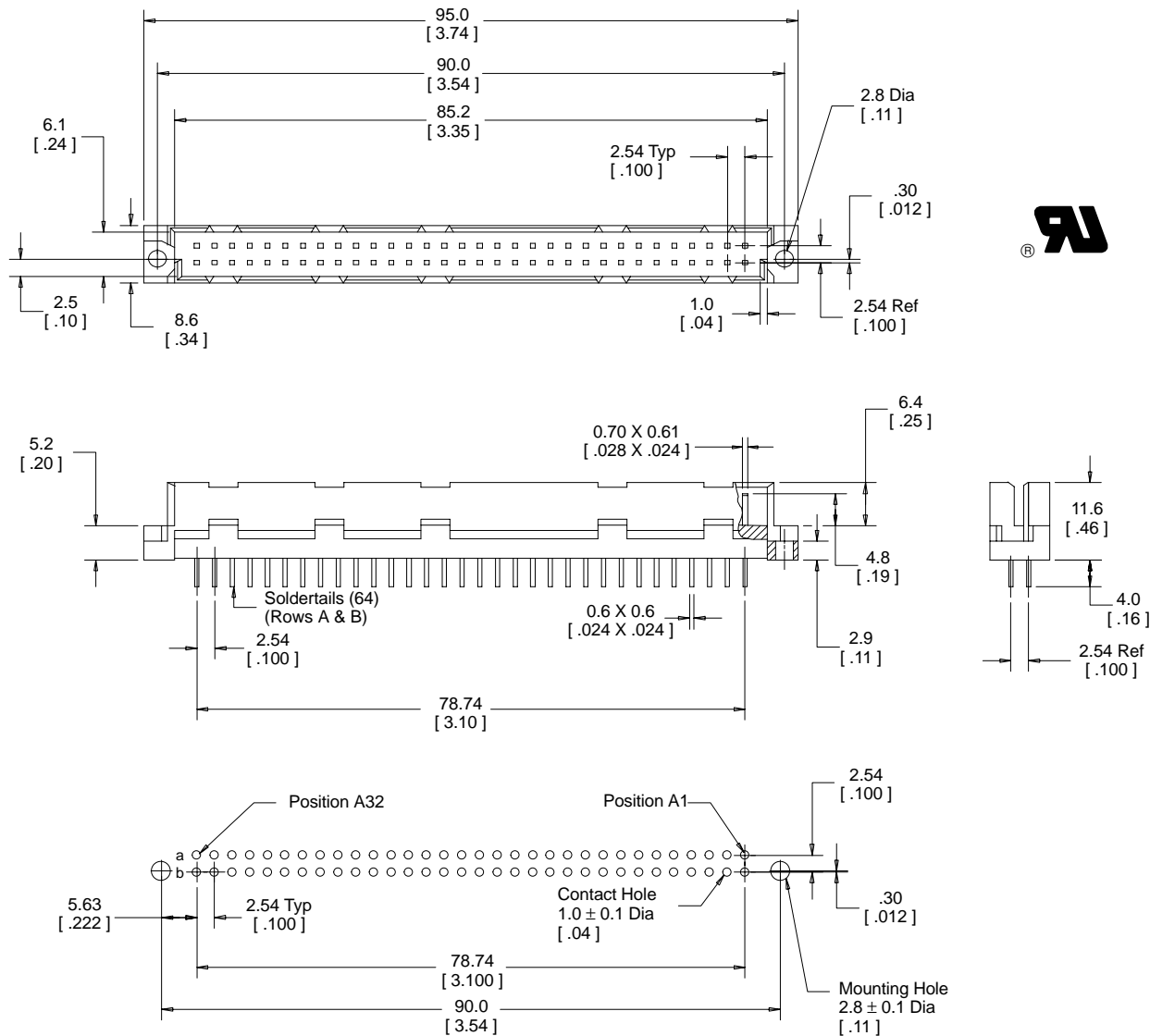
6801 River Place Blvd.
Austin, TX 78726-9000

For technical, sales or ordering information call
800-225-5373

Inverse DIN 41612 Header

Two Row Type Q (Rows A & B Filled)

7064 Series



Recommended Hole Pattern
(Shown for Mounting Side of Board)

mm [Inch]		
Tolerance Unless Noted		
	.0	.00
	.00	.000
mm	± .3	± .13

[] Dimensions for Reference only

Ordering Information

Inverse Din 41612
Straight Header
7064-60B3TH

TS-0428-06
Sheet 2 of 2

3M Interconnect Solutions Division

6801 River Place Blvd.
Austin, TX 78726-9000

For technical, sales or ordering information call
800-225-5373