

Toroidal Inductors Medium Current CTP4552

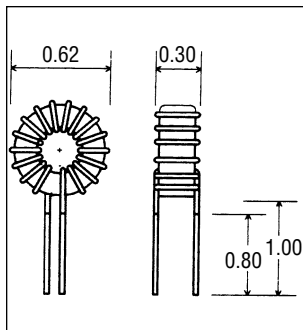
CTP4552 is a medium current inductor with the following data and features:

- **Core type:** 0.50" o.d., Moly-Permalloy Powder, perm 60.
 - **Power rating:** 0.50 watts for temp. rise 50°C.
 - **Typical applications:** Switching Inductors in Switch Mode Power Supplies.
- Four mounting styles are offered:**
- 1 Flying leads (1.00"), for vertical or horizontal mounting.
 - 2 4-pin header, for vertical mounting.
 - 3 Threaded center hole, flying leads (2.00").
 - 4 2-pin header, for vertical mounting.

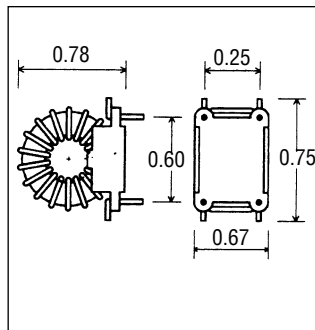


MECHANICAL

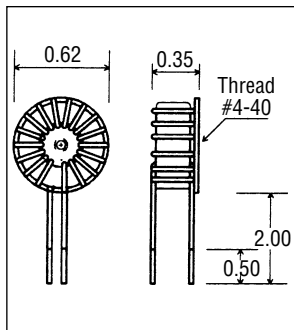
Style 1



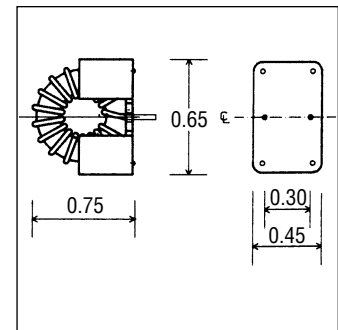
Style 2



Style 3



Style 4



ELECTRICAL SPECIFICATION

Ordering Information: Substitute the style number for the asterisk (*). Example: CTP4552, Style 1, 56uH. Order: CTP4552 - 116

Part No. CTP4552 -	Inductance (uH)	DCR Ohms	Rated Current Amp. RMS	I (amp.) @ Lsat. 10%	I (amp.) @ Lsat. 25%	I (amp.) @ Lsat. 50%
* 01	3.3	0.006	9.3	8.1	13.5	22.5
* 02	3.9	0.006	8.9	7.4	12.4	20.7
* 03	4.7	0.007	8.6	6.8	11.3	18.8
* 04	5.6	0.007	8.2	6.2	10.3	17.2
* 05	6.8	0.008	7.9	5.6	9.4	15.6
* 06	8.2	0.009	7.5	5.1	8.5	14.2
* 07	10	0.010	7.2	4.6	7.7	12.9
* 08	12	0.011	6.9	4.2	7.1	11.8
* 09	15	0.012	6.5	3.8	6.3	10.5
* 10	18	0.013	6.2	3.5	5.8	9.6
* 11	22	0.014	5.9	3.1	5.2	8.7
* 12	27	0.016	5.6	2.8	4.7	7.9
* 13	33	0.017	5.4	2.6	4.3	7.1
* 14	39	0.019	5.2	2.4	3.9	6.5
* 15	47	0.026	4.4	2.1	3.6	6.0
* 16	56	0.036	3.7	2.0	3.3	5.5
* 17	68	0.050	3.2	1.8	3.0	4.9
* 18	82	0.069	2.7	1.6	2.7	4.5
* 19	100	0.076	2.6	1.5	2.4	4.1
* 20	120	0.083	2.5	1.3	2.2	3.7
* 21	150	0.093	2.3	1.2	2.0	3.3
* 22	180	0.101	2.2	1.1	1.8	3.0
* 23	220	0.141	1.9	1.0	1.7	2.8
* 24	270	0.198	1.6	0.9	1.5	2.5

CTP4552