

### ELECTRICAL SPECIFICATIONS:

OPERATING TEMPERATURE RANGE:	: -40°C TO +85°C
1.0 TURNS RATIO: (P6-P8-P3) : (J6-J3) (P2-P7-P1) : (J2-J1)	: 1CT : 1 ±3% : 1CT : 2 ±3%
2.0 INDUCTANCE: (P6-P3)=(J6-J3) (P2-P1) (P6-P3)=(J6-J3) (P2-P1)	: 170uH MIN. @ 0.01V, 10KHz, ROOM TEMPERATURE : 26uH MIN. @ 0.01V, 10KHz, ROOM TEMPERATURE : 98uH MIN. @ 0.01V, 10KHz, -40°C TO +85°C : 18uH MIN. @ 0.01V, 10KHz, -40°C TO +85°C
3.0 LEAKAGE INDUCTANCE: P6-P3 (WITH J6 AND J3 SHORT) P2-P1 (WITH J2 AND J1 SHORT)	: 0.3uH MAX. @ 1MHz : 0.08uH MAX. @ 1MHz
4.0 INTERWINDING CAPACITANCE: (P6,P3) TO (J6,J3) (P2,P1) TO (J2,J1)	: 10pf MAX @ 1MHz : 8pf MAX. @ 1MHz
5.0 DC RESISTANCE: (J6-J3)=(J2-J1) (P6-P8)=(P8-P3) (P2-P7)=(P7-P1)	: 0.7 ohms Max. : 0.3 ohms Max. : 0.3 ohms Max.
6.0 DIELECTRIC WITHSTAND: (P6,P3) TO (J6,J3) (P2,P1) TO (J2,J1)	: 1500VAC : 1500VAC

### NOTES

1.0 PINS WITHOUT ELECTRICAL CONNECTION ARE OMITTED.

Bel Stewart Connector  
11118 Susquehanna Trail, South  
Glen Rock, Pa 17327-9199  
717.234.7512

**MagJack®**

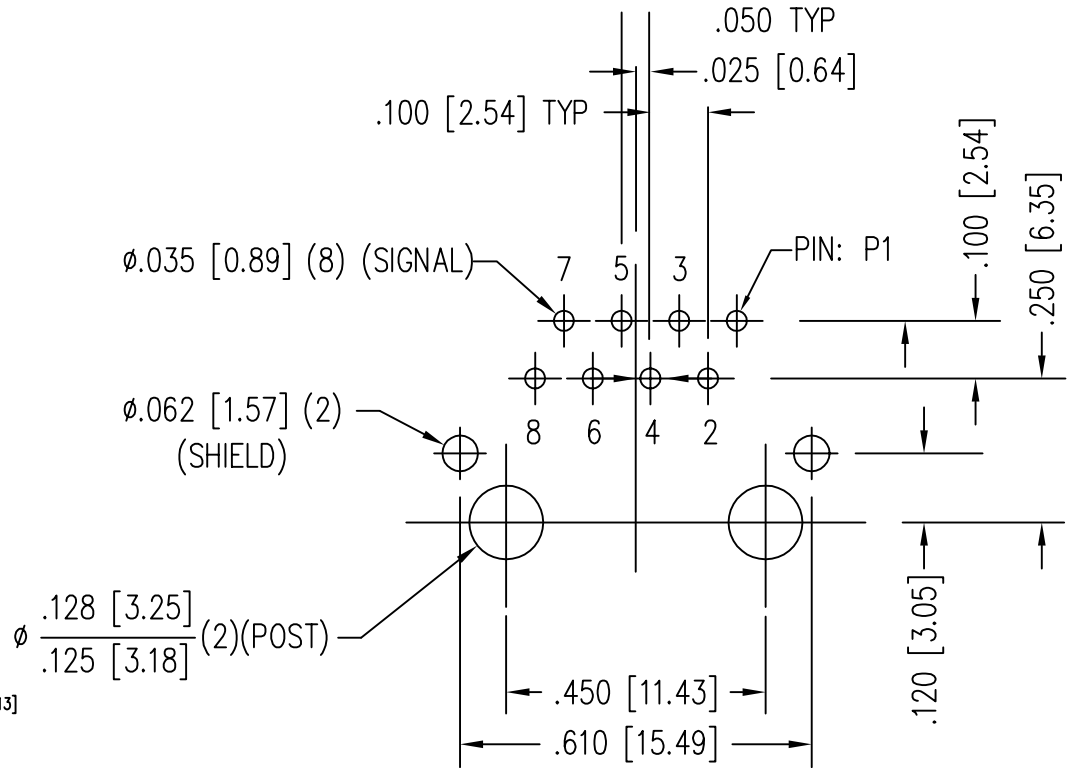
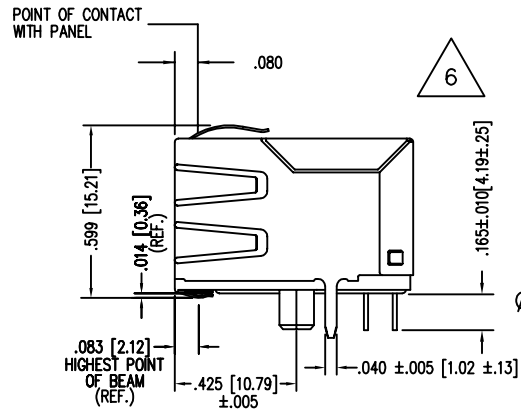
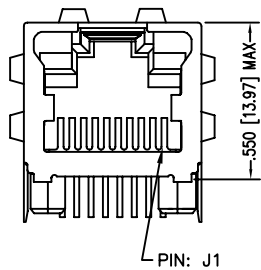
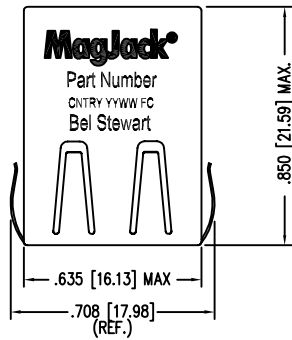
<http://www.stewartconnector.com>

THIS DRAWING AND THE SUBJECT MATTER SHOWN THEREON ARE CONFIDENTIAL AND PROPERTY OF BEL STEWART CONNECTOR AND SHALL NOT BE REPRODUCED, COPIED, OR USED IN ANY MANNER WITHOUT PRIOR WRITTEN CONTENT OF BEL STEWART CONNECTOR. THE SUBJECT MATTER MAY BE PATENTED OR A PATENT MAY BE PENDING.

SHEET  
1 OF 3

DRAWING NO.

SI-50108 REV. 02



P.C.B. RECOMMENDED HOLE LAYOUT  
 SEEN FROM COMPONENT SIDE  
 TOLERANCE ±.003 [0.08] UNLESS OTHERWISE SPECIFIED

NOTES:

- CONNECTOR MATERIALS:  
 HOUSING: THERMOPLASTIC UL94 V-0  
 CONTACT/SHIELD: COPPER ALLOY  
 SHIELD PLATING: NICKEL OR TIN  
 CONTACT PLATING: SELECTIVE GOLD,  
 50 MICRO-INCHES MIN. IN CONTACT AREA.
- PIN NOT ELECTRICALLY CONNECTED MAYBE OMITTED.  
 SEE ELECTRICAL DRAWING FOR OMITTED PINS.
- TOLERANCES COMPLY WITH F.C.C. DIMENSION REQUIREMENTS.
- ALL TOLERANCES NOT OTHERWISE SPECIFIED TO BE ±.005 [0.13]
- WAVE SOLDER COMPATIBLE - PREHEAT 125°C/90SECS.  
 HIGH TEMPERATURE REFLOW COMPATIBLE - 230°C/90 SEC MAX.

6 NOTE SPECIAL LEAD LENGTH

Bel Stewart Connector  
 11118 Susquehanna Trail, South  
 Glen Rock, Pa 17327-9199  
 717.234.7512

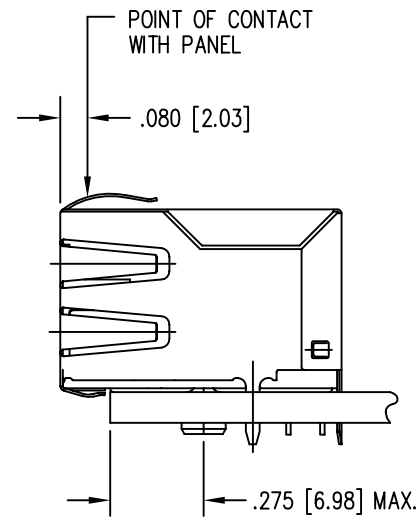
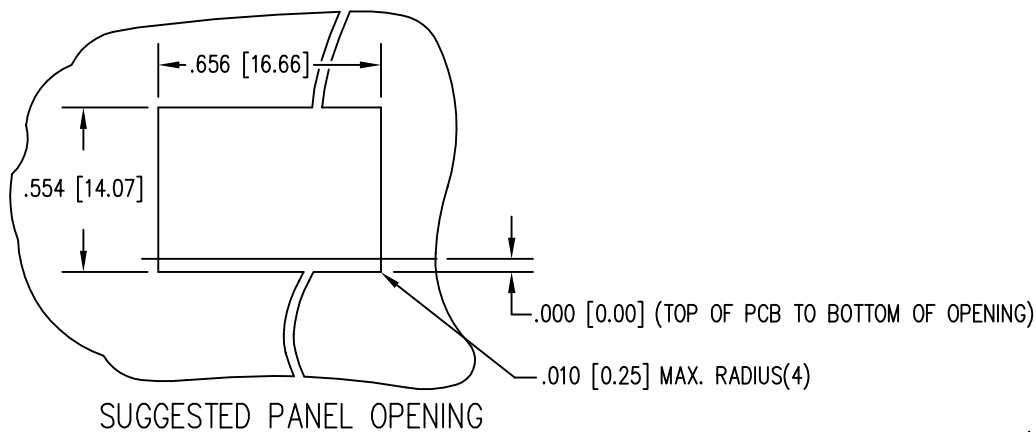
**MagJack®**  
<http://www.stewartconnector.com>

THIS DRAWING AND THE SUBJECT MATTER SHOWN THEREON ARE CONFIDENTIAL AND PROPERTY OF BEL STEWART CONNECTOR AND SHALL NOT BE REPRODUCED, COPIED, OR USED IN ANY MANNER WITHOUT PRIOR WRITTEN CONTENT OF BEL STEWART CONNECTOR. THE SUBJECT MATTER MAY BE PATENTED OR A PATENT MAY BE PENDING.

SHEET  
2 OF 3

DRAWING NO.

SI-50108 REV. 04



1. THE SUGGESTED PANEL OPENING IS INTENDED TO GIVE THE USER THE ABILITY TO HAVE REASONABLE JACK / PANEL CLEARANCES YET MAINTAIN RELIABLE GROUNDING CAPABILITY.
2. ALL TOLERANCES NOT OTHERWISE SPECIFIED TO BE  $\pm 0.005$  [0.13]

Bel Stewart Connector  
 11118 Susquehanna Trail, South  
 Glen Rock, Pa 17327-9199  
 717.234.7512

**MagJack®**

<http://www.stewartconnector.com>

THIS DRAWING AND THE SUBJECT MATTER SHOWN THEREON ARE CONFIDENTIAL AND PROPERTY OF BEL STEWART CONNECTOR AND SHALL NOT BE REPRODUCED, COPIED, OR USED IN ANY MANNER WITHOUT PRIOR WRITTEN CONTENT OF BEL STEWART CONNECTOR. THE SUBJECT MATTER MAY BE PATENTED OR A PATENT MAY BE PENDING.

SHEET  
3 OF 3

DRAWING NO.

SI-50108

REV. 04