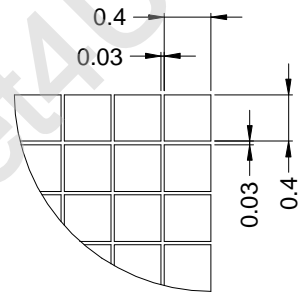
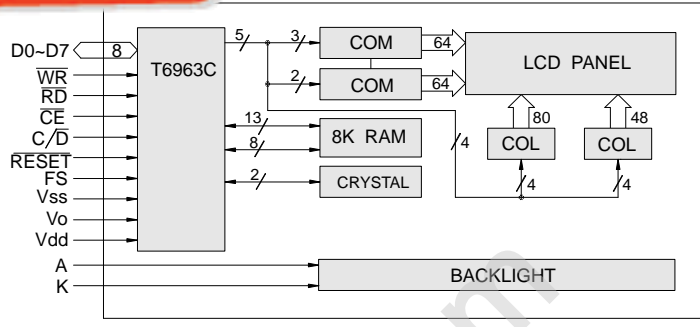
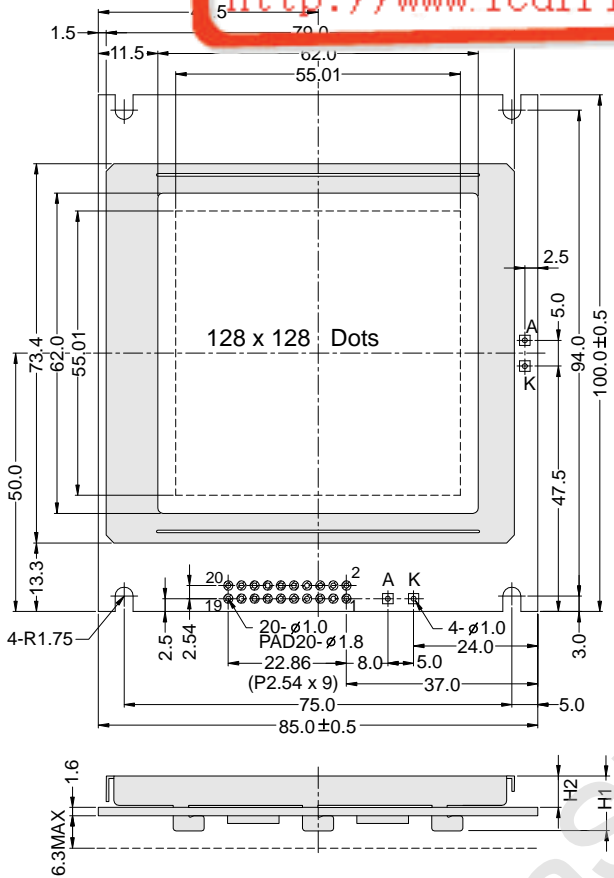




OUTLINE DIMENSION & BLOCK DIAGRAM

液晶之友 电话: 020-33819057  
[Http://www.lcdfriends.com](http://www.lcdfriends.com)



The tolerance unless classified ± 0.3mm

| MECHANICAL SPECIFICATION |              |           |            |
|--------------------------|--------------|-----------|------------|
| Overall Size             | 85.0 x 100.0 | Module    | H2 / H1    |
| View Area                | 62.0 x 62.0  | W / O B/L | 6.1 / 14.0 |
| Dot Size                 | 0.40 x 0.40  | EL B/L    | 6.1 / 14.0 |
| Dot Pitch                | 0.43 x 0.43  | LED B/L   | 9.2 / 17.1 |

| PIN ASSIGNMENT |         |                       |
|----------------|---------|-----------------------|
| Pin no.        | Symbol  | Function              |
| 1              | FGND    | Frame ground          |
| 2              | Vss     | Power supply(GND)     |
| 3              | Vdd     | Power supply(+)       |
| 4              | Vo      | Contrast Adjust       |
| 5              | WR      | Data write            |
| 6              | RD      | Data read             |
| 7              | CE      | Chip enable           |
| 8              | C/D     | Command / data select |
| 9              | NC      | No connection         |
| 10             | RESET   | Reset                 |
| 11-18          | DB0-DB7 | Data bus line         |
| 19             | FS      | Font selection        |
| 20             | NC      | No connection         |

| ABSOLUTE MAXIMUM RATING          |           |           |      |         |       |       |      |   |
|----------------------------------|-----------|-----------|------|---------|-------|-------|------|---|
| Item                             | Symbol    | Condition | Min. | Max.    | Units |       |      |   |
| Supply for logic voltage         | Vdd-Vss   | 25°C      | -0.3 | 7.0     | V     |       |      |   |
| LCD driving supply voltage       | Vdd-Vee   | 25°C      | 0    | 22.0    | V     |       |      |   |
| Input voltage                    | Vin       | 25°C      | -0.3 | Vdd+0.3 | V     |       |      |   |
| ELECTRICAL CHARACTERISTICS       |           |           |      |         |       |       |      |   |
| Item                             | Symbol    | Condition | Min. | Typical | Max.  | Units |      |   |
| Power supply voltage             | Vdd-Vss   | 25°C      | 4.5  | -       | 5.5   | V     |      |   |
| LCD operation voltage            | Vop       | Top       | N    | W       | N     | W     | V    |   |
|                                  |           | -20°C     | -    | -       | -     | -     | V    |   |
|                                  |           | 0°C       | 18.1 | -       | 19    | -     | 20   | V |
|                                  |           | 25°C      | 17.5 | -       | 18.4  | -     | 19.3 | V |
|                                  |           | 50°C      | 16.5 | -       | 17.4  | -     | 18.3 | V |
|                                  |           | 70°C      | -    | -       | -     | -     | -    | V |
| LCM current consumption (No B/L) | Idd       | Vdd=5V    | -    | 8.0     | -     | mA    |      |   |
| Backlight current consumption    | LED/edge  | VB/L=4.2V | -    | -       | -     | mA    |      |   |
|                                  | LED/array | VB/L=4.2V | -    | 450     | -     | mA    |      |   |

REMARK

LCD option: STN, TN, FSTN

Backlight Option: LED, EL Backlight feature, other Specs not available on catalog is under request.

