

AF-09864A

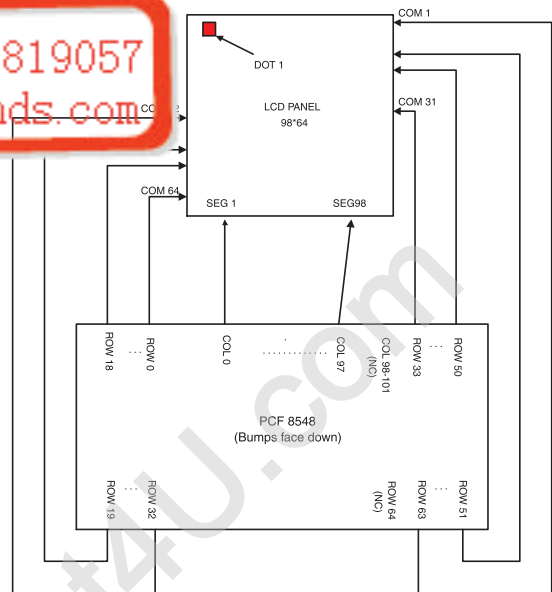
•98x64 dots 1/64 Duty

FEATURE

- 1.Construction : FSTN LCD panel and COF
- 2.Adopt COF technology
- 2.Driver : PCF8548.
- 3.+3.0 Power input for logic circuit.
- 4.Extended temperature type.

液晶之友 电话: 020-33819057
[Http://www.lcdfriends.com](http://www.lcdfriends.com)

BLOCK DIAGRAM & POWER SUPPLY

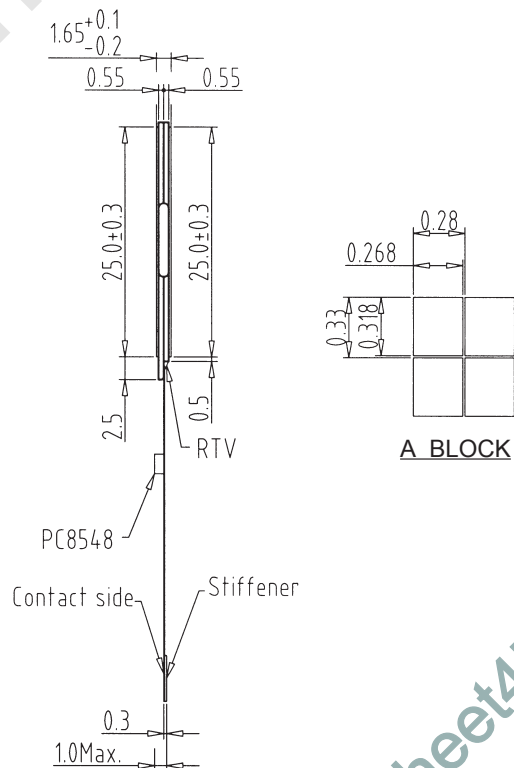
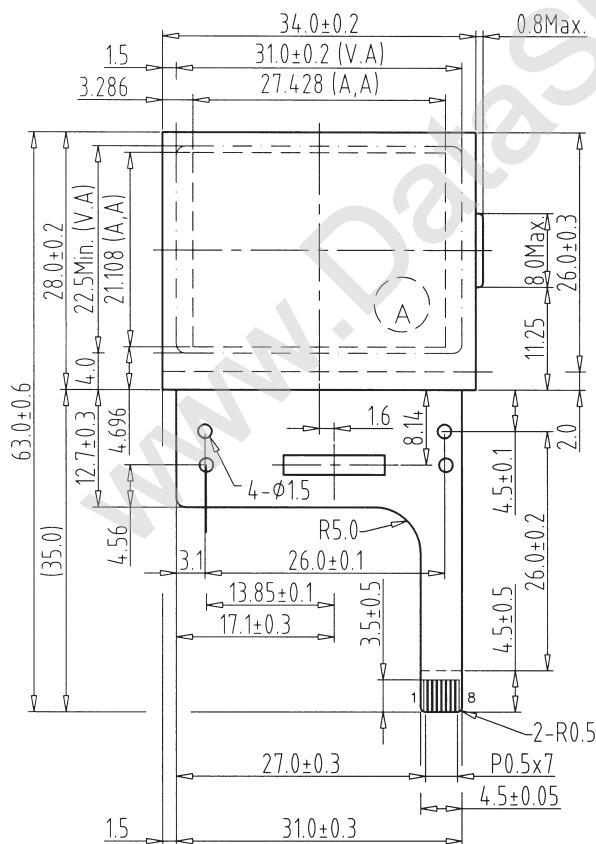


ELECTRICAL CHARACTERISTICS

Parameter	Symbol	Condition	Typ.Value	Unit.
LCD Driving Voltage	-	25°C	8.2	V
Logic Supply Current	IDD	VDD=3.0V	0.2	mA

INTERFACE

1	2	3	4	5	6	7	8
VLCD	VSS	VSS	SCL	SD	RES	VDD	VDD



Connector
 CN1:Molex:52745-0890

AF-09864A
 AF-09664B