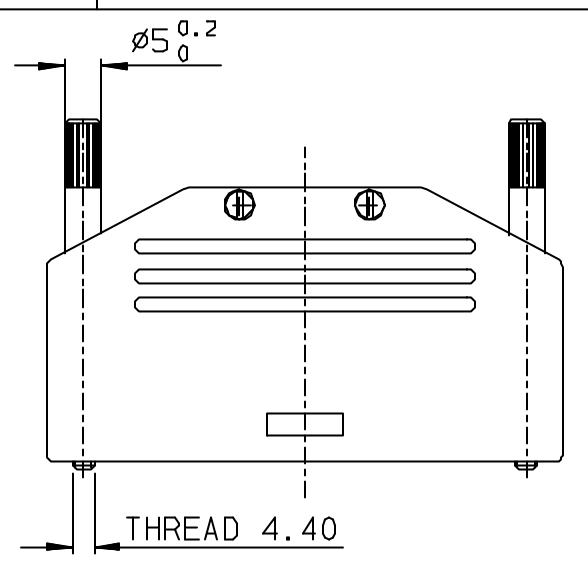
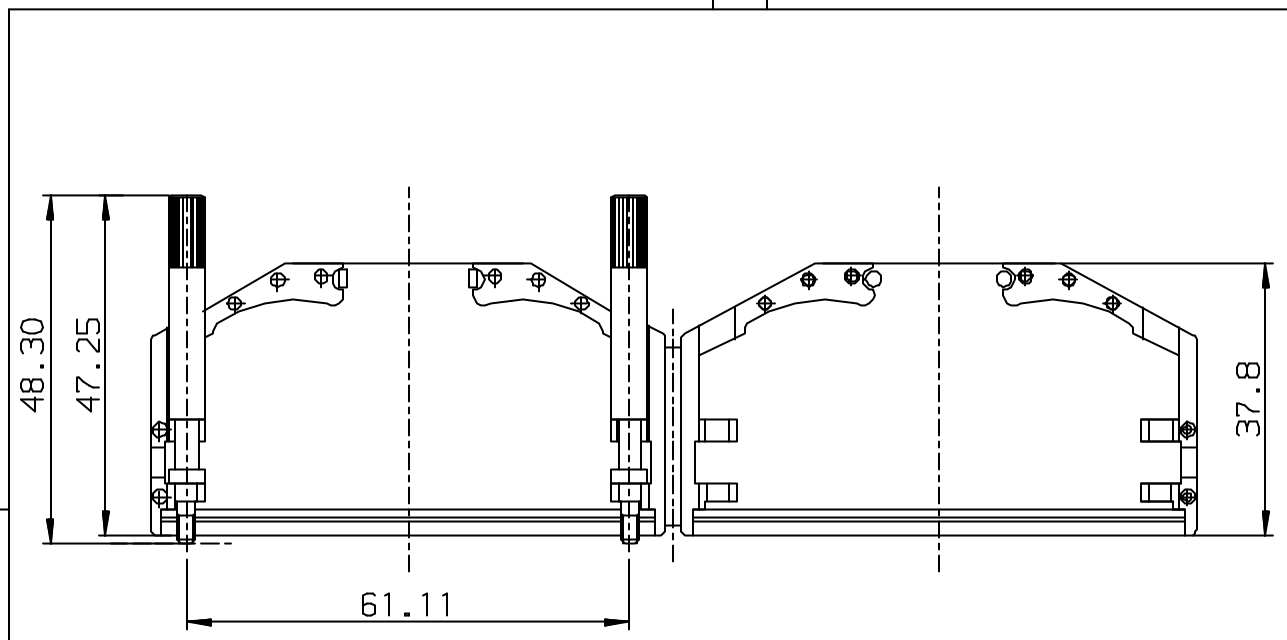


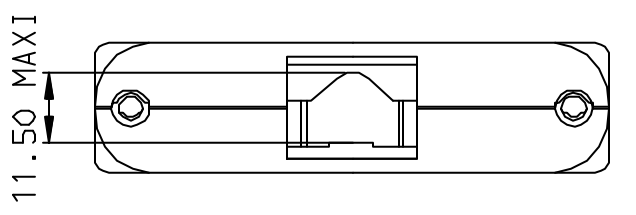
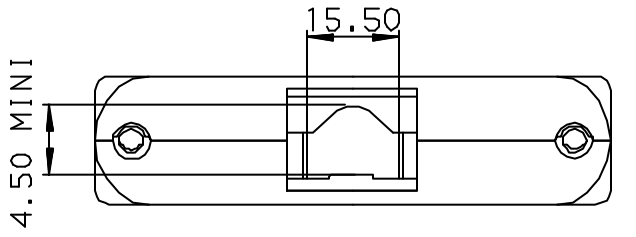
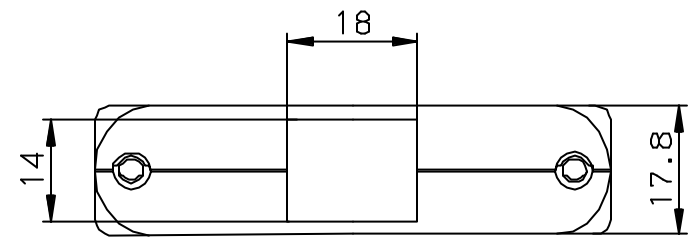
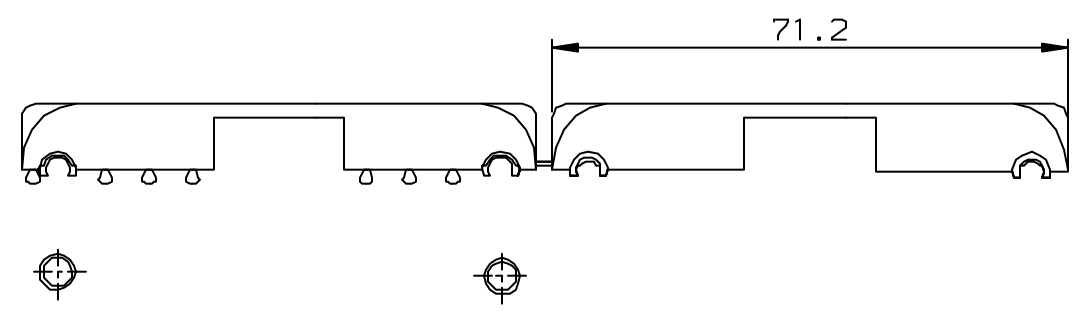
Tous droits strictement réservés. Reproduction ou communication à des tiers interdite sans que/que forme que ce soit sans autorisation écrite du propriétaire. Propriété de FCI. Droits de reproduction FCI.

FCI

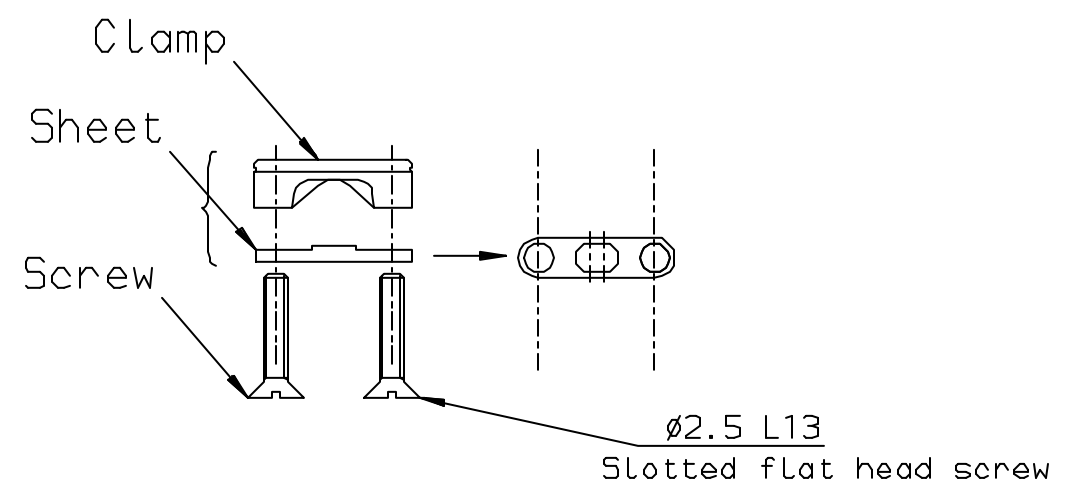
All rights strictly reserved. Reproduction or issue to third parties in any form whatever is not permitted without written authority from the proprietor. Property of FCI. Copyright FCI.



MATERIAL:
 -hood: thermoplastic
 -screws lock: brass
 -strain relief: die cast + steel
 -screws: steel
TEMPERATURE RANGE:
 -Climatic category : -35° / +95°
PACKAGING:
 Box of 100 individual sets



P/N : 86303641B



SCALE: 2

European view

FCI www.fciconnect.com		150 1302	tolerance 150 406 150 1101	projection 	mm
Dr	BART	14/04/04	Product family	D-SUB	size
Eng	PESSON	14/04/04	Spec ref	-	A3
Chr	LEGARE	14/04/04	Material	SEE NOTES	ECN
Appr	LEGARE	14/04/04			LS05-0084
title			SNAP TOGETHER		Rev.
catalog no			- CUSTOMER COPY		G
			C01-8655-1582		sheet 1 of 1

Ltr	ecn no	dr	date
E	-	MPE	16/09/04
F	LS05-0026	MPE	08/07/05
G	LS05-0084	MPE	29/09/05
-	-	-	-
-	-	-	-
-	-	-	-