

LTR	REVISION	DATE	APPD
-	RELEASED	10-08-04	
A	011305-PLD1:RVSD DATA WITH NEW SPEC	01-13-05	

1.) LUMINOUS INTENSITY (mcd):

(IF=20mA)			
COLOR	MIN	Typ.	MAX.
SUPER RED		250	
AQUA GREEN		900	
BLUE		500	

2.) LUMINOUS FLUX:

(IF=20mA)			
COLOR	MIN	Typ.	MAX.
SUPER RED	-	-	-
AQUA GREEN	-	-	-
BLUE	-	-	-

3.)

COLOR	RADIANT INTENSITY W/strip (typ)
SUPER RED	-
AQUA GREEN	-
BLUE	-

4.)

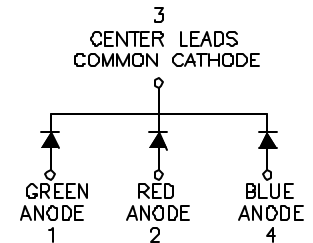
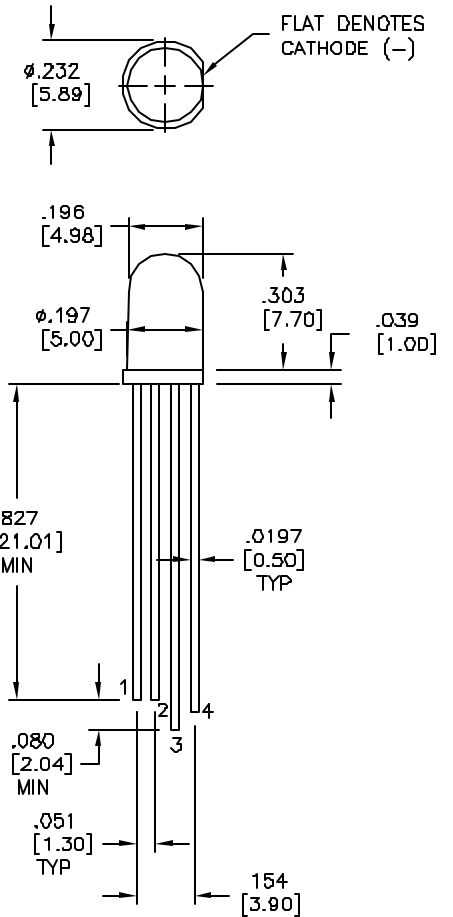
COLOR	PURITY (%) typ
SUPER RED	-
AQUA GREEN	-
BLUE	-

5.)

COLOR	CHROMATICITY COORDINATES				
	X	-	-	-	-
SUPER RED	X	-	-	-	-
	Y	-	-	-	-
AQUA GREEN	X	-	-	-	-
	Y	-	-	-	-
BLUE	X	-	-	-	-
	Y	-	-	-	-

6.) COLOR BIN LIMITS (IF=20 mA):

COLOR	COLOR RENDERING INDEX (CRI)	APPROXIMATE COLOR TEMPERATURE (K)
SUPER RED	-	-
AQUA GREEN	-	-
BLUE	-	-



1. ALL DIMS ARE IN INCHES (MILLIMETERS).
2. TOLERANCE IS  $\pm 0.010"$  ( $\pm 0.25mm$ ) UNLESS OTHERWISE SPECIFIED.
3. LEAD SPACING IS MEASURED WHERE LEADS EMERGE FROM THE PACKAGE.
4. LEADS TO BE SOLDERABLE AND CAPABLE OF MEETING THE SOLDERABILITY REQUIREMENTS OF MIL-STD-202, METHOD 208.
5. MANUFACTURE DATE SHALL NOT BE OLDER THAN 26 WEEKS (6 MONTHS).

LEDTRONICS PART NO.	L.E.D. RADIATION COLOR	L.E.D. APPEARANCE	ABSOLUTE MAXIMUM RATINGS (Ta=25°C)					ELECTRO-OPTICAL CHARACTERISTICS (Ta=25°C)							
			Pd mW	*Ifp mA	If mA	Vr V	Topt (°C)	If mA	Iv mcd typ	Vf=V Iyp/max	View Angle Iyp	Ir max $\mu$ A	$\Delta\lambda$ nm	$\lambda$ Dom. nm	$\lambda$ Peak nm
L200CWRGB1K-4C-IL	SUPER RED	WATER CLEAR	100	150	30	5	-40° TO +80°	20	250	2.0/2.6	55	100	22	634	645
	AQUA GREEN		120	150	30	5	-40° TO +80°	20	900	3.5/4.0	55	100	30	525	525
	BLUE		120	150	30	5	-40° TO +80°	20	500	3.5/4.0	55	100	30	468	470

Testg: -40°C TO +85°C \* Condition for IFP is pulse of 1/10 duty and 0.1msec width.  
 LEAD SOLDERING TEMP: [5mm (.197in) FROM BODY] 260°C FOR 5 SEC.

 LEDTRONICS, INC. 23105 KASHIWA COURT TORRANCE, CA 90505	PROPRIETARY. This document contains Proprietary Information of LEDTRONICS, INC. It may not be copied, used or disclosed for any purpose without the prior express written consent of LEDTRONICS, INC.	TITLE L200CWRGB1K-4C-IL			
	.XXX $\pm$ .010 TOLERANCE PER ANSI-Y14.5 .XX $\pm$ .025 (UNLESS OTHERWISE STATED) ANGLES $\pm$ 0°.30° FRACT. $\pm$ 1/32	DWG NO DSDC330	SCALE 1:1	SHEET 1 OF 1	DATE 10-08-04
	CODE IDENT NO. 8Z410	DWG BY RM	CHK BY PL	QA GZ 01-13-05	MNFG 01-14-05
		CUSTOMER			