

# A23c DIN 41612 IDC TYPE TRIPLE ROW (A+B+C)

**PITCH: 2.54mm**

## SPECIFICATIONS

### Material

Insulator : PBT, glass reinforced, rated UL 94V-0

Contact : Phosphor Bronze

### Electrical

Current Rating : 1 Amp DC

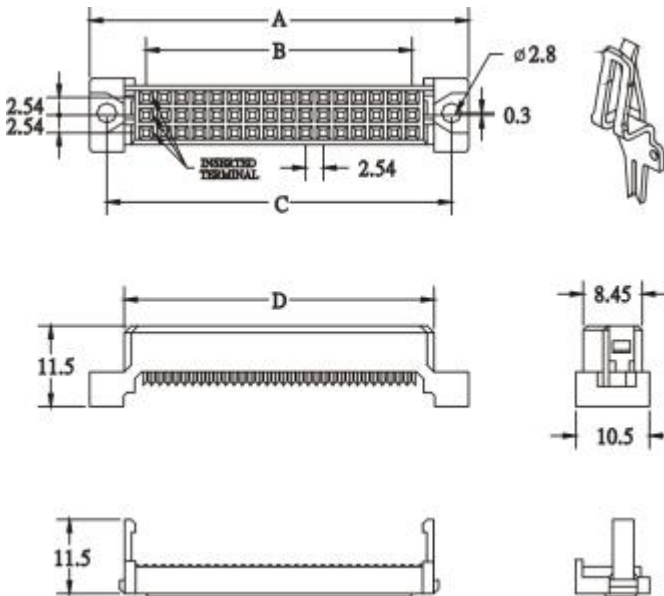
Contact Resistance : 30 mΩ max.

Insulation Resistance : 3000 MΩ min.

Dielectric Withstanding Voltage : 500V AC for 1minute

Operating Temperature : -40°C to +105°C

- Terminated with 0.85mm pitch flat ribbon cable.
- Mating Suggestion : D14, D14a & D14b series.



POSITION	A	B	C	D
48(A+B+C)	55	38.10	50	44.4
96(A+B+C)	95	78.74	90	85.0

## HOW TO ORDER:

A23c -  1 -  2 -  3 -  4 -  5

1.NO. OF CONTACT	2.CONTACT TYPE	3.CONTACT MATERIAL	4.CONTACT PLATING	5.INSULATOR COLOR
48 96	F: FEMALE	B: PHOSPHOR BRONZE	T: TIN PLATED S: SELECTIVE G: GOLD FLASH A: 5u" INCH GOLD B: 10u" INCH GOLD C: 15u" INCH GOLD D: 30u" INCH GOLD	2. GREY