

3-Phase Motor Driver for CD-ROMs

The W49 series are ICs developed for CD-ROM spindle motor drives. These ICs possess a short brake and reverse-rotation brake for two types of brake functions, and also contain FG output and rotation direction detection (FR) circuits, making them high-functionality and high-performance ICs.

●Applications

CD-ROM, CD-R, CD-RW, DVD-ROM, and DVD-RAM

●Features

- | | |
|--|--|
| 1) Three-phase, full-wave, pseudo-linear drive system. | 5) Built-in rotation direction detector. |
| 2) Built-in power save and thermal shutdown functions. | 6) Built-in reverse rotation prevention circuit. |
| 3) Built-in current limiter and Hall bias circuits. | 7) Built-in short brake pin. |
| 4) Built-in FG output. | |

●Absolute maximum ratings (Ta = 25°C)

Parameter	Symbol	Limits	Unit
Applied Voltage (with 5V power supply)	Vcc	7	V
Applied Voltage (motor power supply1)	VM1	13.5	V
Applied Voltage (motor power supply2)	VM2	13.5	V
Power dissipation	W49 Pd	1700*2	mW
Operating temperature	Topr	-20~+75	
Storage temperature	Tstg	-55~+150*5	
Output current	Iout	1100	mA

- * 1 Reduced by 17.6mW for each increase in Ta of 1 over 25 .
- * 2 When mounted on a 70mmX70mmX1.6mm glass epoxy board.
Reduced by 13.6mW for each increase in Ta of 1 over 25 .
- * 3 Reduced by 11.6mW for each increase in Ta of 1 over 25 .
- * 4 Reduced by 8.0mW for each increase in Ta of 1 over 25 .
- * 5 Tj should not exceed 150 .
- * 6 Should not exceed Pd or ASO values.

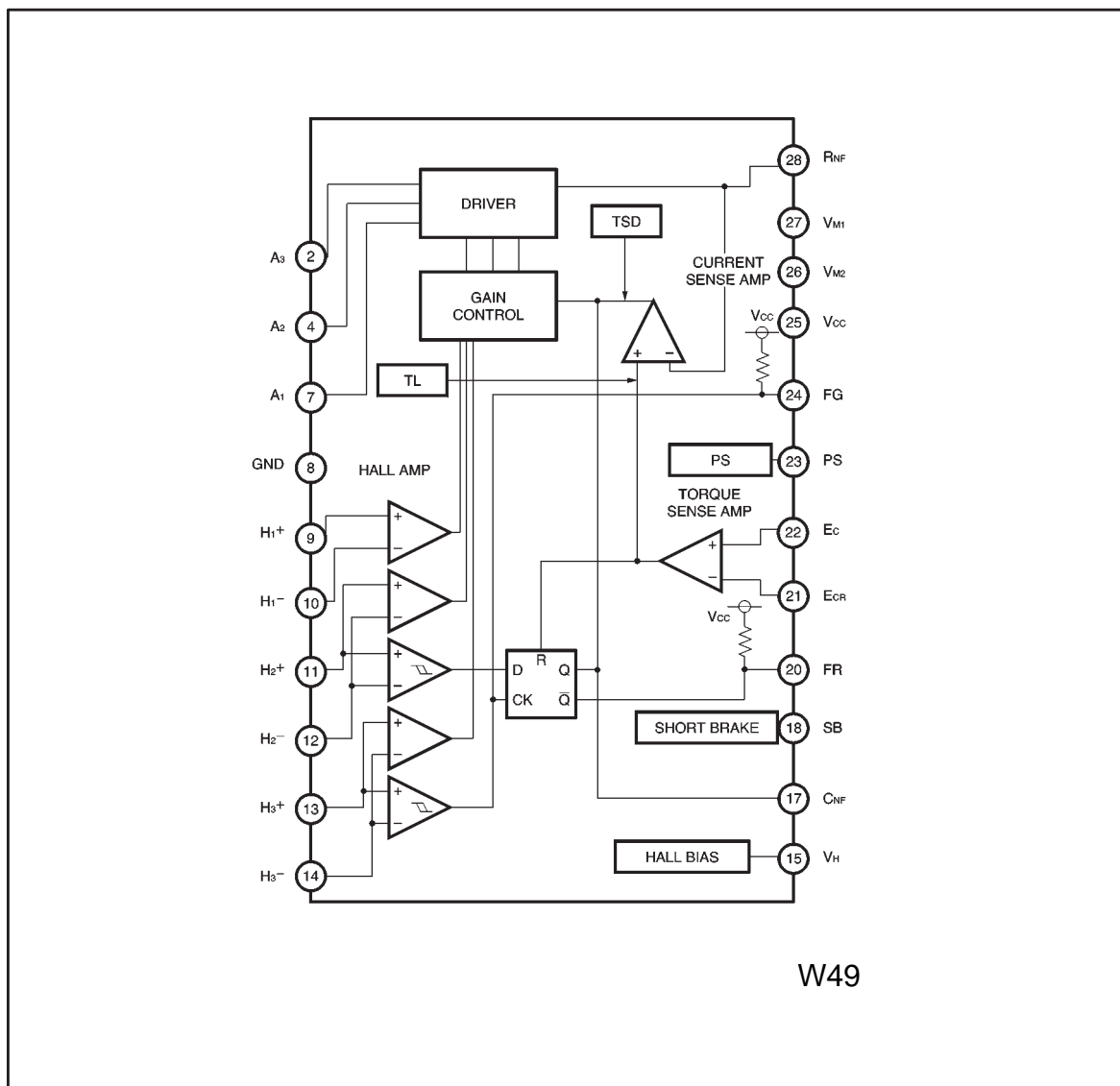
* All specs and applications shown above subject to change without prior notice.

3-Phase Motor Driver for CD-ROMs

● Recommended operating conditions (Ta = 25°C)

Parameter	Symbol	Limits	Unit
Power supply voltage	Vcc	4.25~5.5	V
	VM1	13.5	V
	VM2	13.5	V

● Block diagram



W49

* All specs and applications shown above subject to change without prior notice.

3-Phase Motor Driver for CD-ROMs

● Pin descriptions

W49

Pin No.	Pin Name	Function
2	A ₃	Output
4	A ₂	Output
7	A ₁	Output
8	GND	GND
9	H ₁ ⁺	Hall signal input
10	H ₁ ⁻	Hall signal input
11	H ₂ ⁺	Hall signal input
12	H ₂ ⁻	Hall signal input
13	H ₃ ⁺	Hall signal input
14	H ₃ ⁻	Hall signal input
15	V _H	Hall bias
17	C _{NF}	For connection of phase compensation capacitor
18	SB	Short brake
20	FR	Rotation direction detection
21	E _{CR}	Output voltage control reference
22	E _c	Output voltage control
23	PS	Power save
24	FG	FG signal output
25	V _{CC}	Power supply
26	V _{M2}	Motor power supply 2
27	V _{M1}	Motor power supply 1
28	R _{NF}	For connection of output current detection resistor
FIN	—	SUB GND

* * Missing pin numbers are N.C.

* All specs and applications shown above subject to change without prior notice.

3-Phase Motor Driver for CD-ROMs

● Input / output circuits

(1) Power save

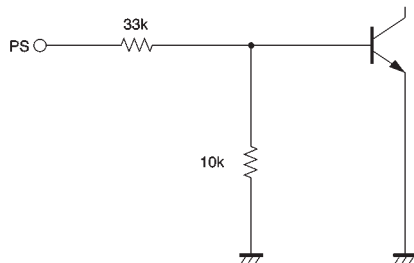


Fig.1

(2) Torque command input

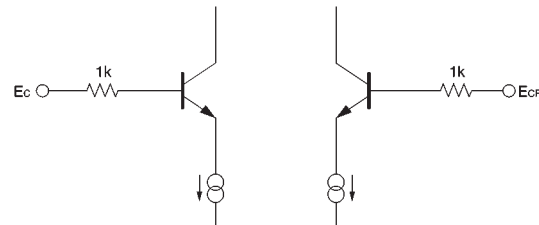


Fig.2

(3) Torque output (A₁, A₂, and A₃)

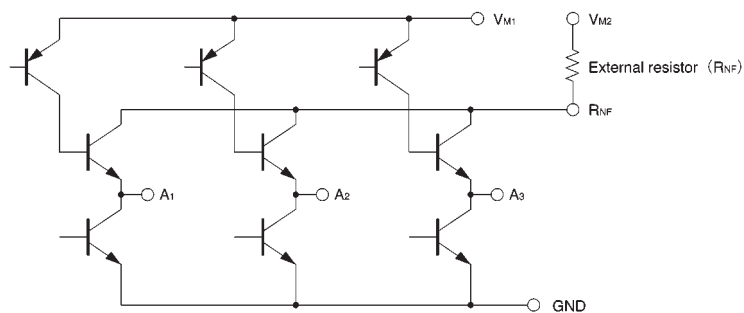


Fig.3

(4) Hall input (H₁⁺, H₁⁻, H₂⁺, H₂⁻, H₃⁺, H₃⁻)

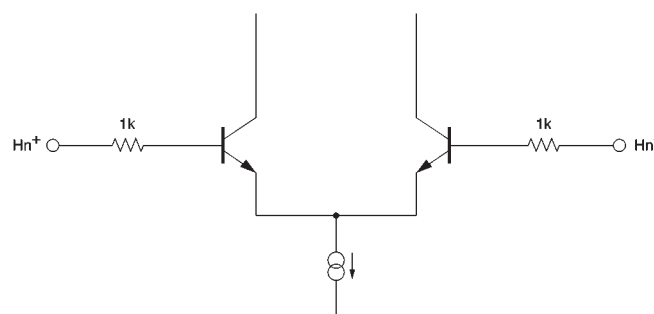


Fig.4

Note: Resistance values are typical values.

* All specs and applications shown above subject to change without prior notice.

3-Phase Motor Driver for CD-ROMs

(5) Hall bias

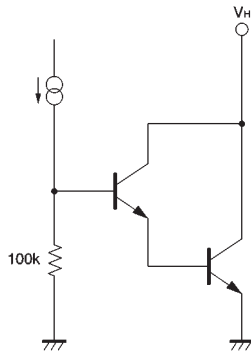


Fig.5

(7) FR Output

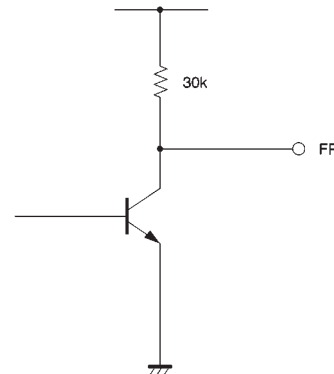


Fig.7

(6) FG output

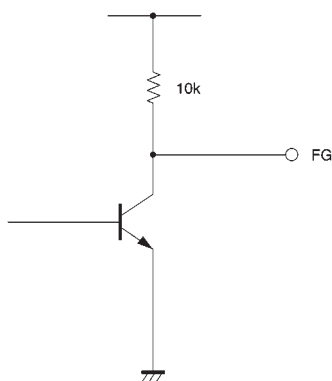


Fig.6

(8) Short brake

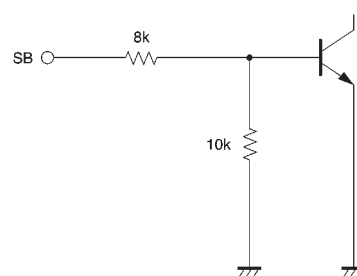


Fig.8

Note: Resistance values are typical values.

* All specs and applications shown above subject to change without prior notice.

3-Phase Motor Driver for CD-ROMs

●Electrical characteristics (unless otherwise noted, Ta = 25°C, V_{CC} = 5V, V_{M1} = 12V, V_{M2} = 12V)

Parameter	Symbol	Min.	Typ.	Max.	Unit	Coniditions
〈Total device〉						
Circuit current 1	I _{CC1}	—	0	0.2	mA	In the power save ON state
Circuit current 2	I _{CC2}	—	4.1	6.5	mA	In the power save OFF state
〈Power save〉						
ON voltage range	V _{PSON}	—	—	1.5	V	—
OFF voltage range	V _{PSOFF}	3.5	—	—	V	—
〈Hall bias〉						
Hall bias voltage	V _{HB}	0.5	0.9	1.5	V	I _{HB} =10mA
〈Hall amplifier〉						
Input bias current	I _{HA}	—	0.7	3.0	μA	—
Same phase input voltage range	V _{HAR}	1.5	—	4.0	V	—
Minimum input level	V _{INH}	50	—	—	mV _{P-P}	—
H3 hysteresis level	V _{HYS}	10	20	40	mV	—
〈Torque command〉						
Input voltage range	E _C	1.0	—	4.0	V	—
“—” offset voltage	E _{COFF-}	-80	-50	-20	mV	E _{CR} =2.5V
“+” offset voltage	E _{COFF+}	20	50	80	mV	E _{CR} =2.5V
Input bias current	E _{CIN}	—	0.5	2.0	μA	E _C =E _{CR}
I / O gain	G _{EC}	0.41	0.51	0.61	A / V	E _C =1.5V, 2.0V
〈FG〉						
FG output high level voltage	V _{FGH}	4.5	4.8	—	V	I _{FG} =-20 μA
FG output low level voltage	V _{FGL}	0	0.25	0.4	V	I _{FG} =3mA
DUTY (reference value)	DU	—	50	—	%	—
〈Rotation detection〉						
FR output high level voltage	V _{FRH}	4.1	4.4	—	V	I _{FR} =-20 μA
FR output low level voltage	V _{FRL}	0	0.25	0.4	V	I _{FR} =3mA
〈Output〉						
Output saturation high level voltage	V _{OH}	—	1.0	1.5	V	I _O =-600mA
Output saturation low level voltage	V _{OL}	—	0.4	0.8	V	I _O =600mA
Pre-drive current	I _{VML}	—	35	70	mA	E _C =0V output open
Output limit current	I _{TL}	560	700	840	mA	—
〈Short brake〉						
ON voltage range	V _{SBON}	3.5	—	—	V	—
OFF voltage range	V _{SBOFF}	—	—	1.5	V	—

©Not designed for radiation resistance.

* All specs and applications shown above subject to change without prior notice.

3-Phase Motor Driver for CD-ROMs

● Circuit operation

(1) Hall input to coil output

The phase relationship between the Hall input signals and the output current and voltage is shown in Fig.9. The motor position data input via the Hall pins is amplified by the Hall amplifier, and formed into waveforms by the matrix block. These signals are input to the output driver that supplies the drive current to the motor coils.

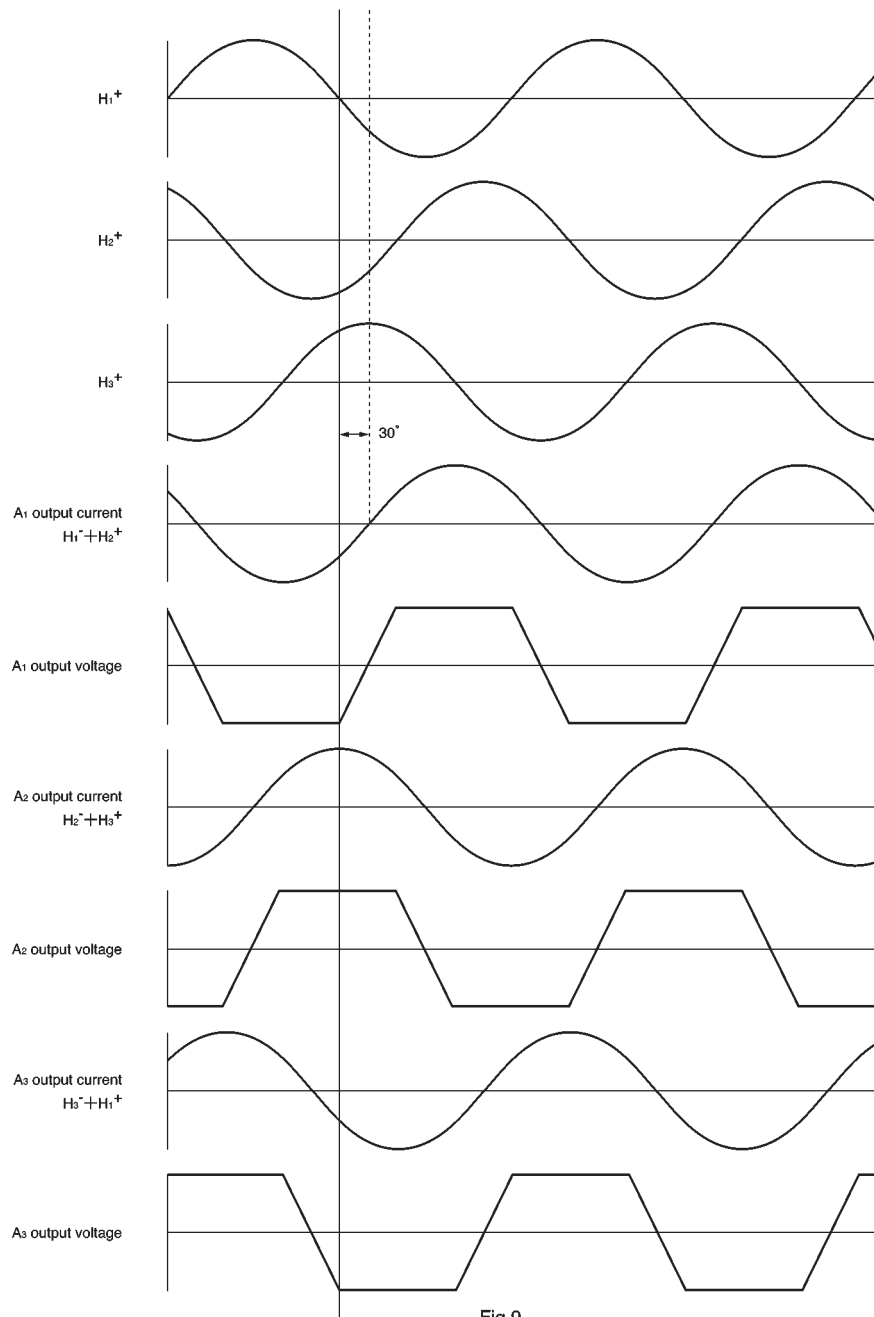


Fig.9

* All specs and applications shown above subject to change without prior notice.

3-Phase Motor Driver for CD-ROMs

(2) Torque command

The R_{NF} pin voltage with respect to the torque command (E_c) is as follows:

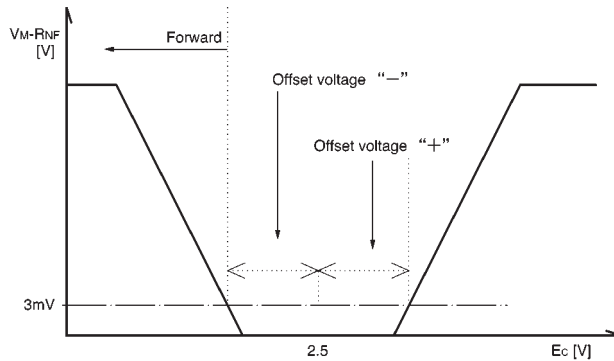


Fig.10

	Rotation direction
$E_c < E_{CR}$	Forward
$E_c > E_{CR}$	Reverse*

* Stops after detecting reverse.

The I / O gain (G_{EC}) from the E_c pin to the R_{NF} pin (output current) is determined by the R_{NF} detector resistor.

$$G_{EC} = 0.255 / R_{NF} [A / V]$$

The torque limit current I_{TL} is given by:

$$I_{TL} = 0.35 / R_{NF} [A]$$

(3) Reverse rotation detection function

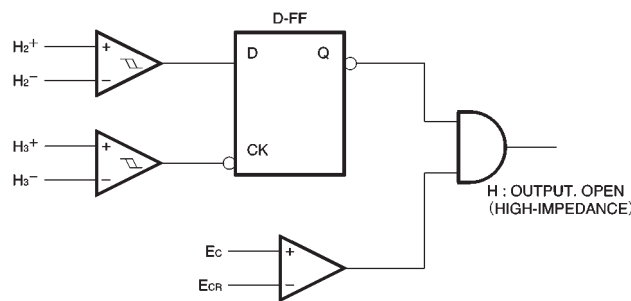


Fig.11

The reverse detection circuit construction is shown in Fig.11.

1) Forward ($E_c < E_{CR}$)

The phase relationship between the Hall input signals H_2^+ and H_3^+ becomes as shown in Fig.9, and the reverse rotation detection circuit does not operate.

2) Reverse ($E_c > E_{CR}$)

The phase relationship between the signals H_2^+ and H_3^+ is opposite that for forward operation, and the reverse rotation detection circuit operates. The output goes OFF, and becomes open circuit.

	FR signal output pin
Forward	L
Reverse	H

* All specs and applications shown above subject to change without prior notice.

3-Phase Motor Driver for CD-ROMs

(4) Short brake

When 3.5V or more is applied to the short brake pin, the upper-side output transistors of all go off, and the lower-side output transistors go on. Short braking operates regardless of the torque command signal.

(5) Other circuits

When 3.5V or more is applied to the power save pin, all circuits are on. When 1.5V or less is applied, the IC enters power save mode. Also, the Hall bias pins turn on and off with the power save pin.

●Application example

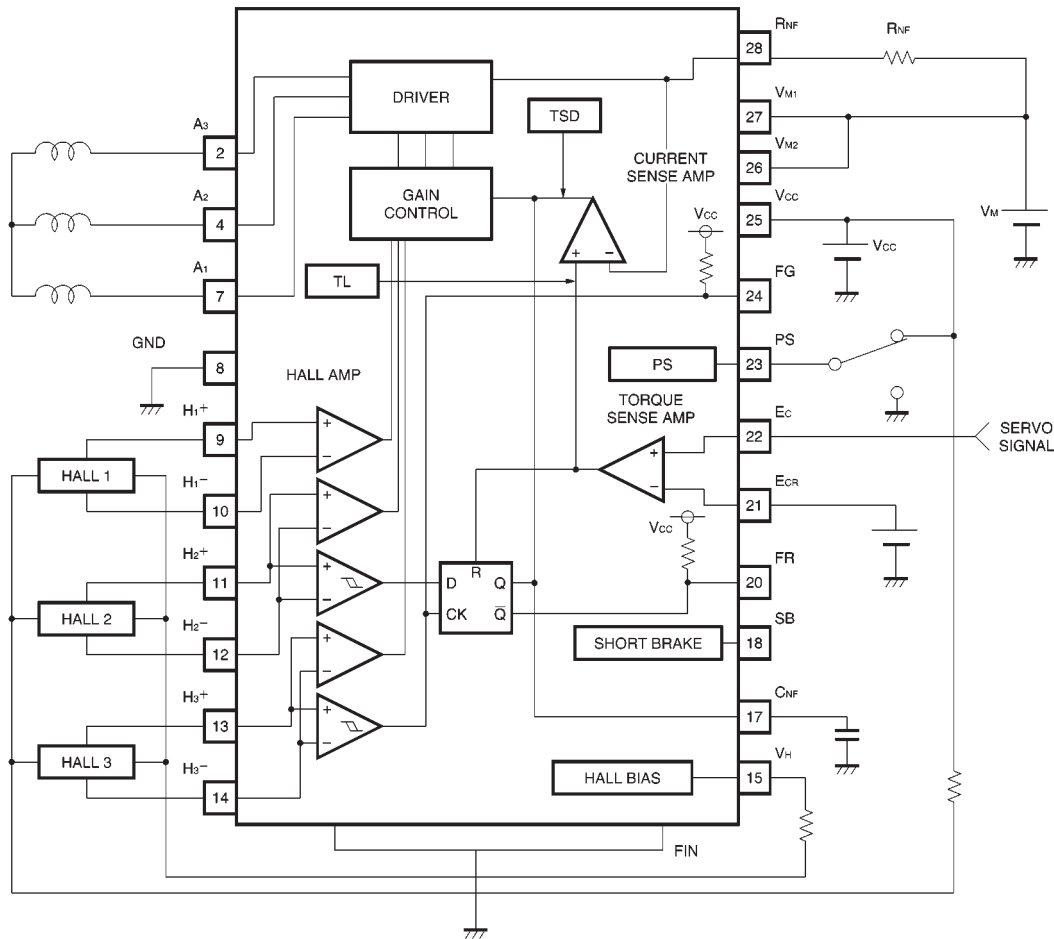


Fig.12

* All specs and applications shown above subject to change without prior notice.

3-Phase Motor Driver for CD-ROMs

● Operation notes

(1) Power save

The power save input is an I/O circuit like the own shown in Fig.1.

The thermal derating characteristics of the power save pin is $-8\text{mV}/^\circ\text{C}$, and the resistance will fluctuate between $\pm 30\%$ so be careful of the input voltage range.

(2) Hall input

The input circuit shown in Fig.4 is used for the Hall inputs.

The Hall elements can be connected either in series or in parallel.

(3) Thermal shutdown (TSD)

When the junction temperature reaches 175°C , the A_1 , A_2 , and A_3 coil outputs go open circuit. The thermal shutdown has approximately 15°C of hysteresis.

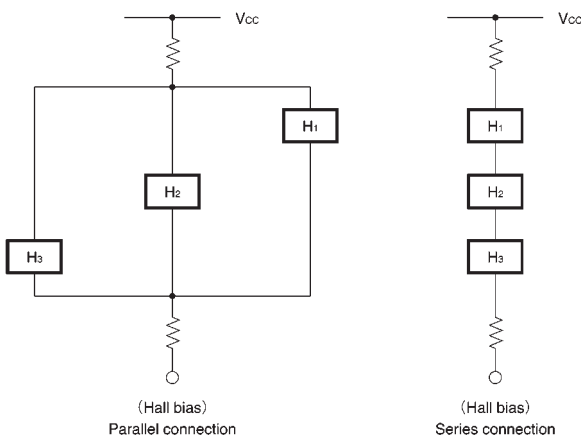


Fig.13

● Electrical characteristics curves

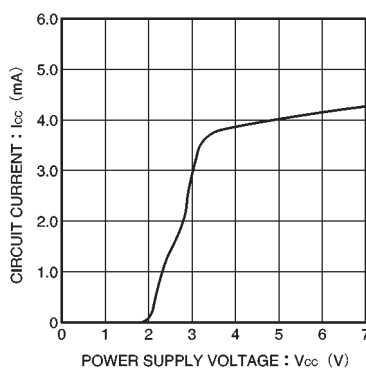


Fig.15 Power supply current vs. power supply voltage

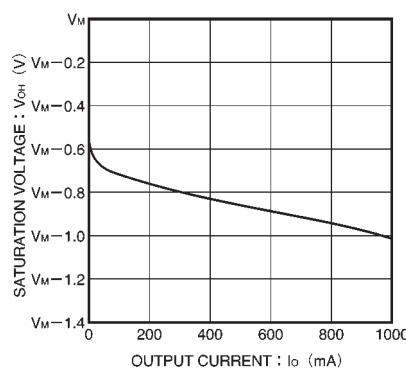


Fig.16 Upper-side output saturation voltage vs. output current

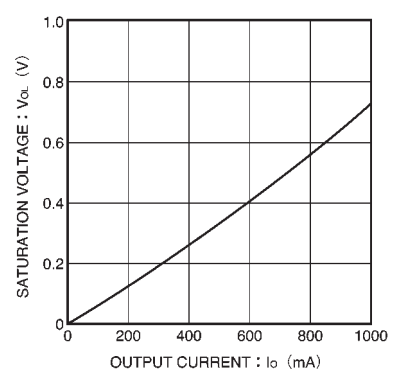
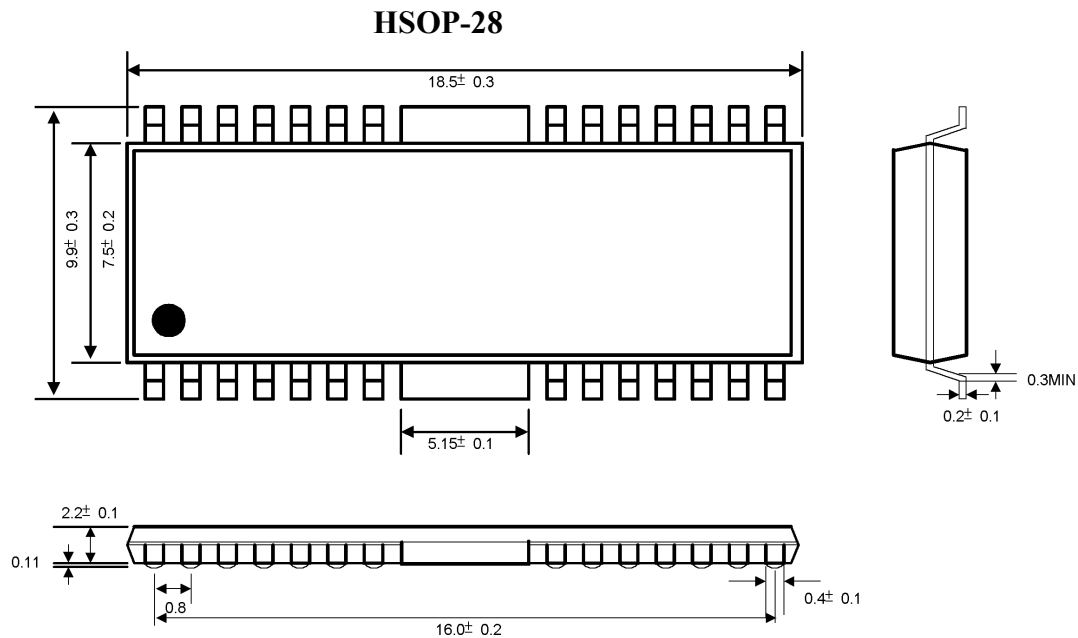


Fig.17 Lower-side output saturation voltage vs. output current

* All specs and applications shown above subject to change without prior notice.

3-Phase Motor Driver for CD-ROMs

● External dimensions (Units: mm)



* All specs and applications shown above subject to change without prior notice.