

**JST**

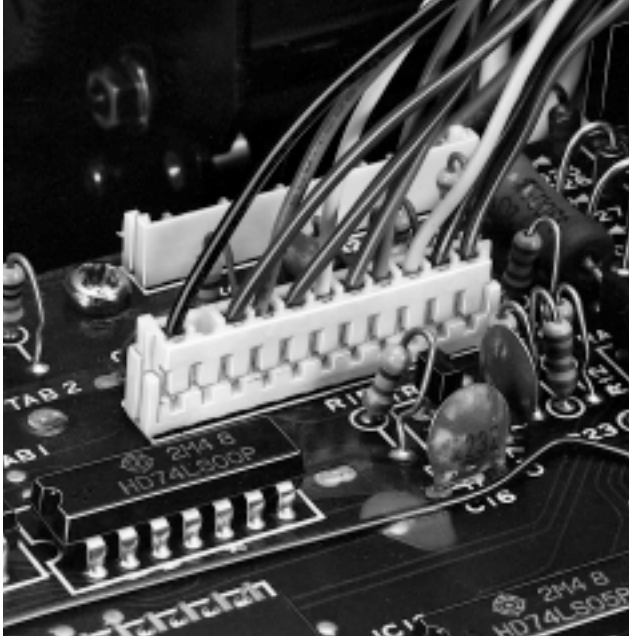
Crimp

**2.5mm**  
(.098") pitch

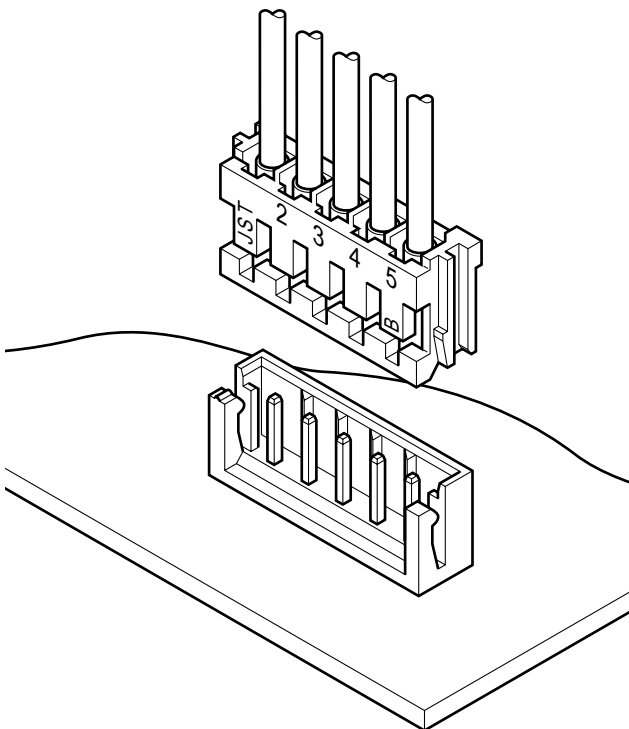
# EH CONNECTOR

*Disconnectable Crimp style connectors*

Radial Tape



***This, the thinnest, 2.5mm (.098") pitch connector, is 8.1mm (.319") in height after mounting and 3.8mm (.150") in width. It is designed to meet the demand for the high-density connection of internal wires to printed circuit boards. It is compact, highly reliable and low in cost.***



## Features

### • **Compact and slim**

This connector is designed to be compact and unusually thin. It measures only 8.1mm (.319") high after mounting and is just 3.8mm (.150") wide.

### • **Highly reliable contact**

The contact has long dimples near the center that ensure continuity of low voltage and low current circuits at all times, even under conditions of vibration and abusive prying.

### • **Polarizing guides**

The header and housing have guides to prevent improper mating.

### • **Whisker prevention**

The contact material is treated with a reflow process, and the square post is copper-undercoated and tin/lead-plated for whisker prevention.


### • **Easy and effective crimping**

Although the contact is compact, it has a long wire strip length,  $2.6 \pm 0.4\text{mm}$  (.102"  $\pm$  .016"). This long length is very useful for automatic crimping and when crimping shielded wires.


## Specifications

- Current rating: 3A AC, DC (AWG#22)
  - Voltage rating: 250V AC, DC
  - Temperature range: -25°C to +85°C  
(including temperature rise in applying electrical current)
  - Contact resistance: Initial value/10m max.  
After environmental testing/20m max.
  - Insulation resistance: 1,000M min.
  - Withstanding voltage: 800V AC/minute
  - Applicable wire: AWG #32 to #22
  - Applicable PC board thickness: 0.8 to 1.6mm (.031" to .063")
- \* Contact JST for details.

## Standards

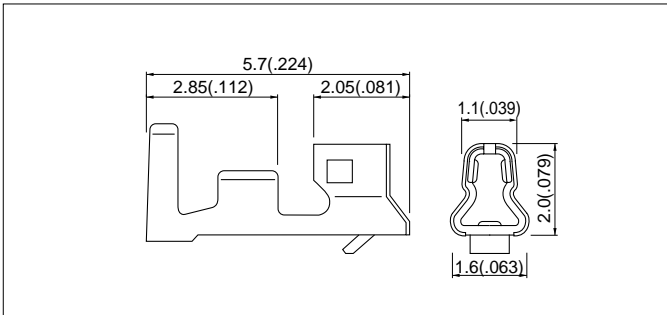
 Recognized E60389

 Certified LR20812

 R75089

# EH CONNECTOR

## Contact



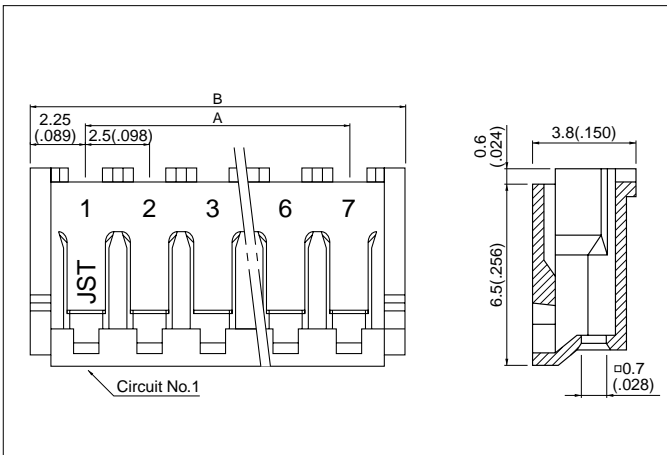
Model No.	Applicable wire			Q'ty / reel
	mm <sup>2</sup>	AWG #	Insulation O.D. mm(in.)	
<b>SEH-001T-P0.6</b>	0.05 to 0.3	30 to 22	1.0 to 1.9(.039 to .075)	10,000
<b>SEH-003T-P0.6L</b>	0.032 to 0.08	32 to 28	0.5 to 1.1(.020 to .043)	

### Material and Finish

Phosphor bronze, tin-plated

Note: 1. Contact JST for gold-plated contacts.  
2. SEH-003T-P0.6L is not TÜV approved.

## Housing



Circuits	Model No.	Dimensions mm(in.)		Q'ty / bag
		A	B	
2	<b>EHR-2</b>	2.5(.098)	7.0(.276)	1,000
3	<b>EHR-3</b>	5.0(.197)	9.5(.374)	1,000
4	<b>EHR-4</b>	7.5(.295)	12.0(.472)	1,000
5	<b>EHR-5</b>	10.0(.394)	14.5(.571)	1,000
6	<b>EHR-6</b>	12.5(.492)	17.0(.669)	1,000
7	<b>EHR-7</b>	15.0(.591)	19.5(.768)	1,000
8	<b>EHR-8</b>	17.5(.689)	22.0(.866)	1,000
9	<b>EHR-9</b>	20.0(.787)	24.5(.965)	1,000
10	<b>EHR-10</b>	22.5(.866)	27.0(1.063)	1,000
11	<b>EHR-11</b>	25.0(.984)	29.5(1.161)	1,000
12	<b>EHR-12</b>	27.5(1.083)	32.0(1.260)	1,000
13	<b>EHR-13</b>	30.0(1.181)	34.5(1.358)	1,000
14	<b>EHR-14</b>	32.5(1.280)	37.0(1.457)	1,000
15	<b>EHR-15</b>	35.0(1.378)	39.5(1.555)	1,000

### Material

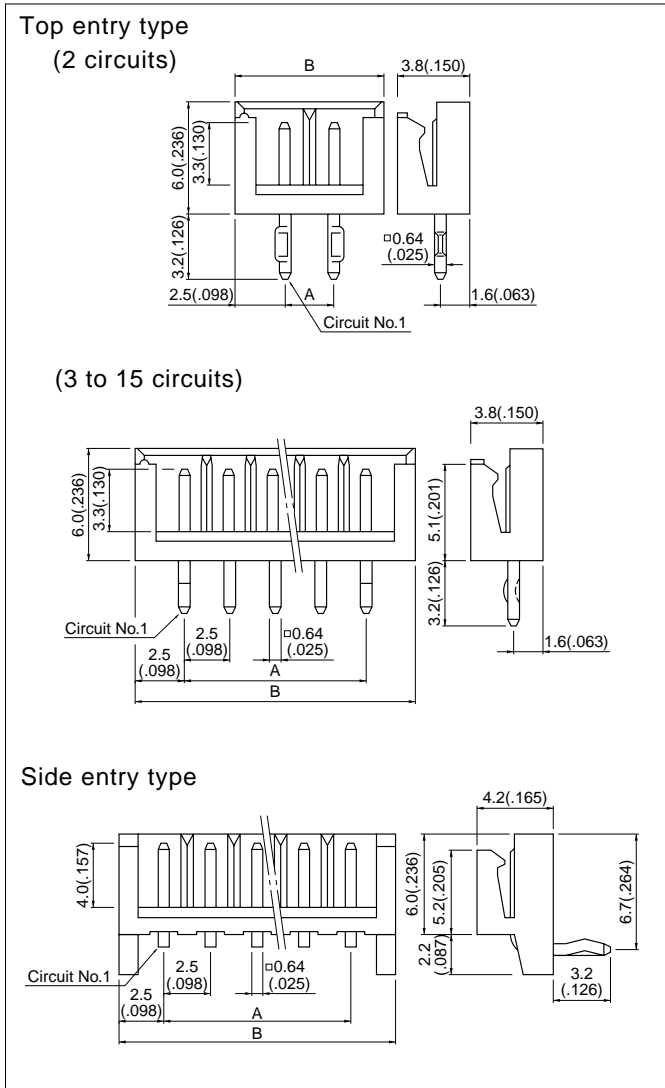
Nylon 66, UL94V-0, natural (white)

<For reference> As the color identification, the following alphabet shall be put in the underlined part. For availability, delivery and minimum order quantity, contact JST.

ex. **EHR-2-oo**  
 (blank)...natural (white)  
 K...black R...red TR...tomato red E...blue Y...yellow  
 L...lemon yellow M...green O...orange N...brown PL...purple  
 PK...pink H...gray LE...light blue FY...vivid yellow

## Shrouded header

The shrouded headers are interchangeable with those of the HR crimp style and insulation displacement connectors.



Circuits	Model No.		Dimensions mm.(in)		Qty / box	
	Top entry type	Side entry type	A	B	Top entry type	Side entry type
2	<b>B 2B-EH-A</b>	<b>S 2B-EH</b>	2.5( .098)	7.5( .295)	1,000	1,000
3	<b>B 3B-EH-A</b>	<b>S 3B-EH</b>	5.0( .197)	10.0( .394)	1,000	1,000
4	<b>B 4B-EH-A</b>	<b>S 4B-EH</b>	7.5( .295)	12.5( .492)	1,000	1,000
5	<b>B 5B-EH-A</b>	<b>S 5B-EH</b>	10.0( .394)	15.0( .591)	1,000	1,000
6	<b>B 6B-EH-A</b>	<b>S 6B-EH</b>	12.5( .492)	17.5( .689)	1,000	500
7	<b>B 7B-EH-A</b>	<b>S 7B-EH</b>	15.0( .591)	20.0( .787)	1,000	500
8	<b>B 8B-EH-A</b>	<b>S 8B-EH</b>	17.5( .689)	22.5( .886)	500	500
9	<b>B 9B-EH-A</b>	<b>S 9B-EH</b>	20.0( .787)	25.0( .984)	500	500
10	<b>B10B-EH-A</b>	<b>S10B-EH</b>	22.5( .886)	27.5(1.083)	500	500
11	<b>B11B-EH-A</b>	<b>S11B-EH</b>	25.0( .984)	30.0(1.181)	500	250
12	<b>B12B-EH-A</b>	<b>S12B-EH</b>	27.5(1.083)	32.5(1.280)	500	250
13	<b>B13B-EH-A</b>	<b>S13B-EH</b>	30.0(1.181)	35.0(1.378)	250	250
14	<b>B14B-EH-A</b>	<b>S14B-EH</b>	32.5(1.280)	37.5(1.476)	250	250
15	<b>B15B-EH-A</b>	<b>S15B-EH</b>	35.0(1.378)	40.0(1.575)	250	250

### Material and Finish

Post: Brass, copper-undercoated, tin/lead plated  
Wafer: Nylon 66, UL94V-0, natural (white)

### Note:

- Also available and identified as model BxxB-EH is a top entry type having a post extension length of 4.0mm(.157")
- Top entry type headers are not TÜV approved.

<For reference> As the color identification, the following alphabet shall be put in the underlined part. For availability, delivery and minimum order quantity, contact JST.

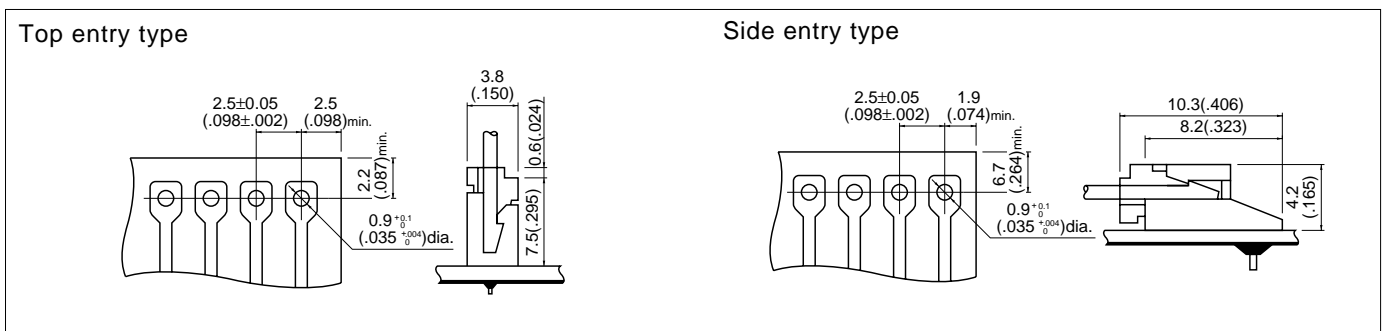
### <Top entry type>

ex. **B2B-EH-A-oo**  
(blank)...natural (white)  
K...black R...red E...blue Y...yellow M...green

### <Side entry type>

ex. **S2B-EH-oo**  
(blank)...natural (white)  
K...black R...red TR...tomato red E...blue Y...yellow  
L...lemon yellow M...green O...orange N...brown P...purple  
PK...pink H...gray LE...light blue FY...vivid yellow

## PC board layout (viewed from soldering side) and Assembly layout



### Note:

- Tolerances are non-cumulative: ±0.05mm(±.002") for all centers.
- Hole dimension differ according to the kind of PC board and piercing method. If PC boards made of hard material such as FR-4 are used, the hole dimensions should be larger. The dimensions above should serve as a guideline. Contact JST for details.

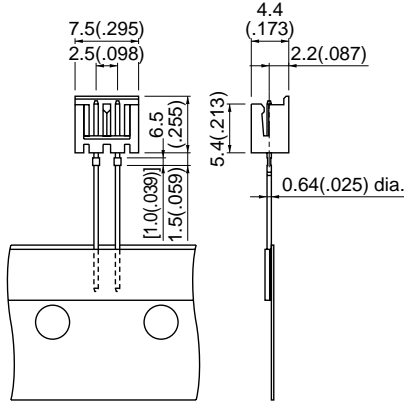
# EH CONNECTOR

## Shrouded header on radial-tape

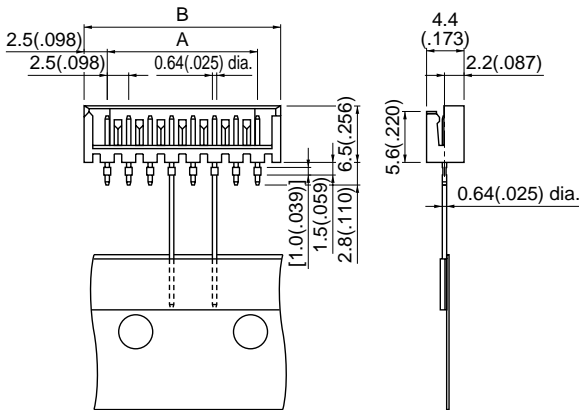
<Taping specifications conform to EIAJ-RC-1008B and JIS C0805.>

- The shrouded headers are interchangeable with those of the HR crimp style and insulation displacement connectors .
- Shrouded headers on radial-tape are not TÜV approved.

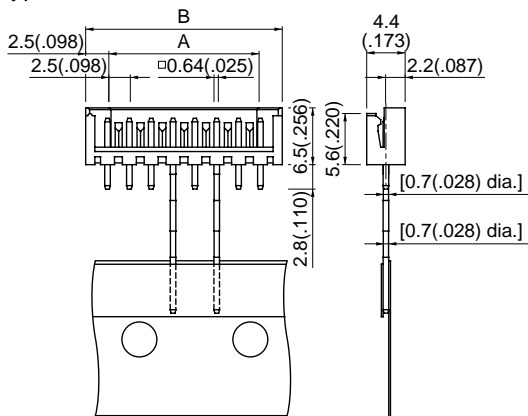
TS type  
(2 circuits)



(3 to 8 circuits)



TV4 type



Cir- cuits	Model No.	Dimensions mm(in.)		Q'ty / box
		A	B	
2	<b>B2B-EH-TS</b>	-	-	1,400
3	<b>B3B-EH-TS</b>	5.0(.197)	10.0(.394)	1,400
4	<b>B4B-EH-TS</b>	7.5(.295)	12.5(.492)	700
5	<b>B5B-EH-TS</b>	10.0(.394)	15.0(.591)	700
6	<b>B6B-EH-TS</b>	12.5(.492)	17.5(.689)	700
7	<b>B7B-EH-TS</b>	15.0(.591)	20.0(.787)	700
8	<b>B8B-EH-TS</b>	17.5(.689)	22.5(.886)	700

### Material and Finish

Pin: Brass, copper-undercoated, tin/lead-plated  
Wafer: Nylon 66, UL94V-0, natural (white)

<For reference> As the color identification,  
the following alphabet shall be put in the underlined part.  
For availability, delivery and minimum order quantity, contact JST.

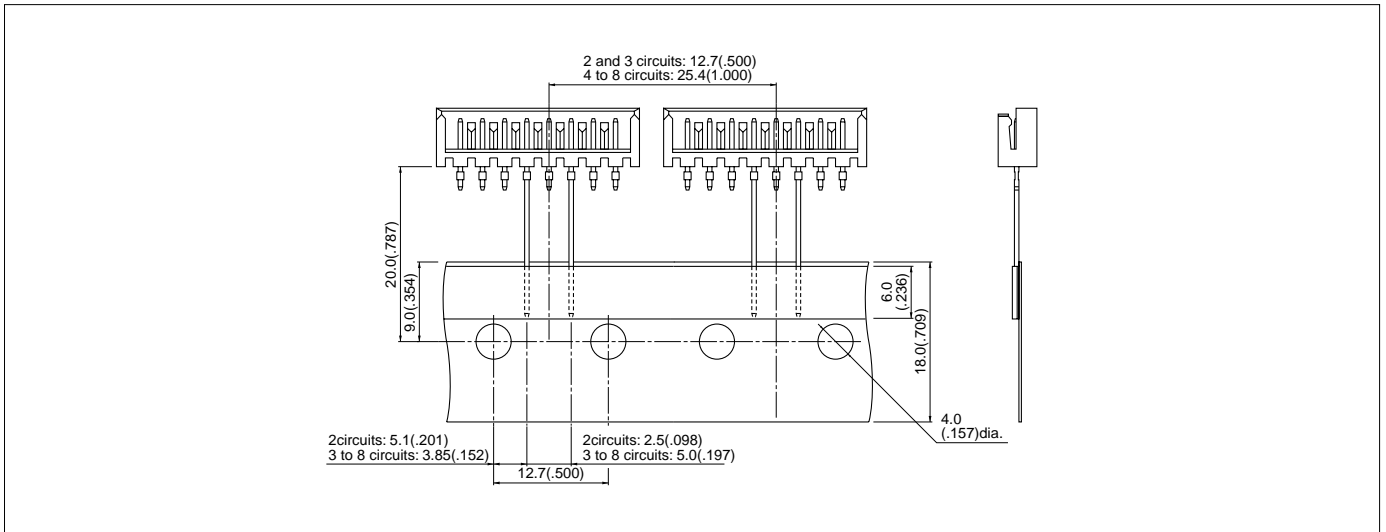
ex. B2B-EH-TS-00  
(blank)...natural (white)  
K...black R...red E...blue Y...yellow M...green N...brown

Cir- cuits	Model No.	Dimensions mm(in.)		Q'ty / box
		A	B	
3	<b>B3B-EH-TV4</b>	5.0(.197)	10.0(.394)	1,400
4	<b>B4B-EH-TV4</b>	7.5(.295)	12.5(.492)	700
5	<b>B5B-EH-TV4</b>	10.0(.394)	15.0(.591)	700
6	<b>B6B-EH-TV4</b>	12.5(.492)	17.5(.689)	700
7	<b>B7B-EH-TV4</b>	15.0(.591)	20.0(.787)	700
8	<b>B8B-EH-TV4</b>	17.5(.689)	22.5(.886)	700

### Material and Finish

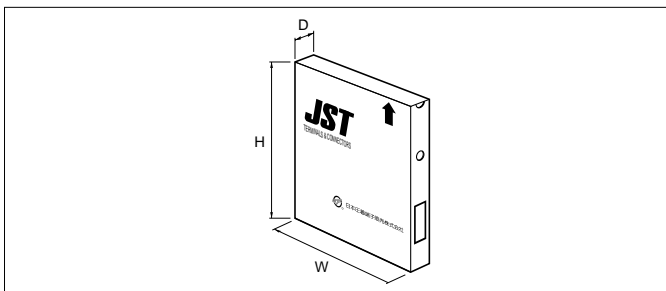
Post: Brass, copper-undercoated, tin/lead-plated  
Wafer: Nylon 66, UL94V-0, natural (white)

## Taping specifications

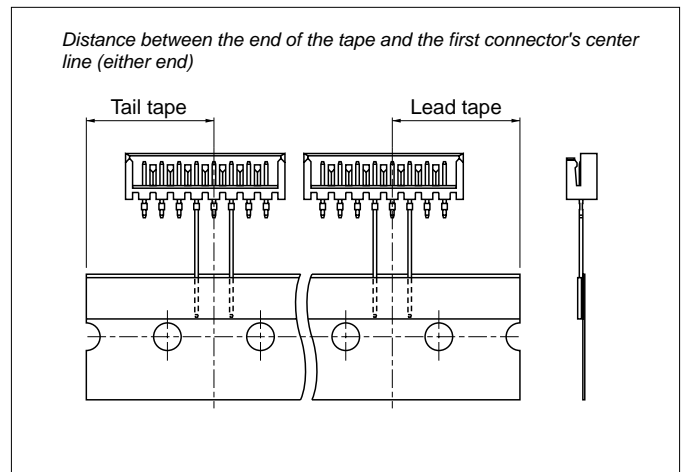


Note: Conforms to JIS C0825.

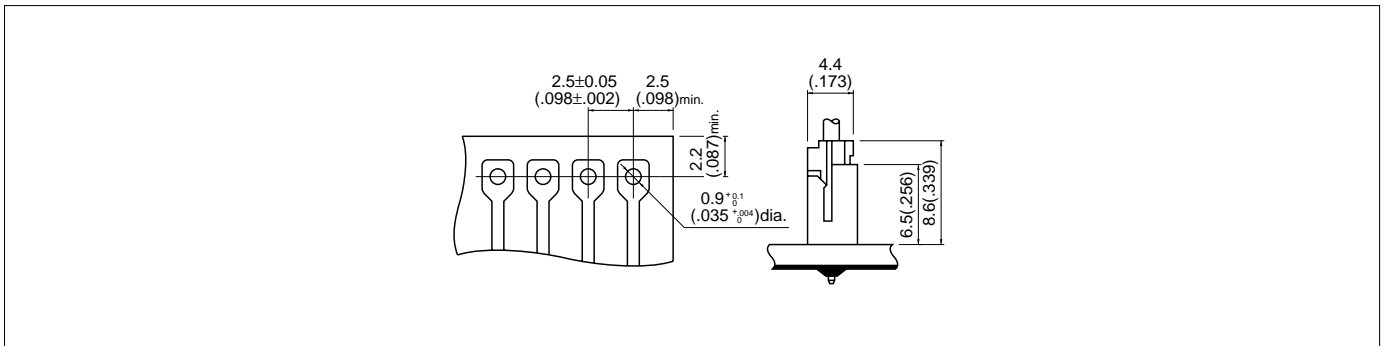
## Packaging specifications



Package type	Flat pack (zigzag folded)
Distance between folds	24 indexing holes per fold (304.8mm/12")
Box size	(316x45x330mm)12.4"(W)x1.8"(D) x13.0"(H)
Distance between the end of the tape and the first connector's center line (either end)	19.05mm(.750")



## PC board layout (viewed from soldering side) and Assembly layout



Note:

1. Tolerances are non-cumulative:  $\pm 0.05\text{mm} (\pm .002")$  for all centers.
2. Hole dimension differ according to the kind of PC board and piercing method. If PC boards made of hard material such as FR-4 are used, the hole dimensions should be larger. The dimensions above should serve as a guideline. Contact JST for details.

# EH CONNECTOR

## Applicator for the semi-automatic press AP-K2N

Contact	Crimp applicator MKS-L(-10)		Compact crimp applicator MKS-LS		Strip-crimp applicator MKS-SC
	with safety cover	without safety cover	with safety cover	without safety cover	with safety cover
SEH-001T-P0.6	APLMK SEH001-06	APLNC SEH001-06	APLMKLS SEH001-06	APLLSNC SEH001-06	APLSC SEH001-06
SEH-003T-P0.6L	APLMK SEH003-06	APLNC SEH003-06	-	-	APLSC SEH003-06