

DATA SHEET

AU5783

J1850/VPW transceiver with
supply control function

Objective specification

1999 May 11

J1850/VPW transceiver with supply control function

AU5783

FEATURES

- Supports SAE/J1850 VPW standard for in-vehicle class B multiplexing
- Bus speed 10.4 kbit/s nominal
- Drive capability 32 bus nodes
- Low RFI due to output waveshape function
- Direct battery operation with protection against +40V load dump and 8 kV ESD
- Bus terminals proof against automotive transients up to +100V/−150V and 8kV ESD
- Power supply enable function
- Very low sleep mode power consumption
- 4X transmission mode (41.6 kbit/s)
- Diagnostic loop-back mode
- Thermal overload protection
- 14-pin SOIC

DESCRIPTION

The AU5783 is a line transceiver being primarily intended for in-vehicle multiplex applications. It provides interfacing between a J1850 link controller and the physical bus wire. The device supports the SAE/J1850 VPWM standard with a nominal bus speed of 10.4 kbit/s. For data upload and download purposes the 4X transmission mode is supported with a nominal bus speed of 41.6 kbit/s. The AU5783 provides protection against loss of ground conditions, thus ensuring the network will be operational in case of an electronic control unit loosing connection to ground potential. Low power operation is supported through provision of a sleep mode with very low power consumption. In addition an external voltage regulator can be turned off via the AU5783 transceiver to further reduce the overall power consumption. The voltage regulator will be activated again upon detection of bus activity or upon a local wake-up event.

ORDERING INFORMATION

TYPE NUMBER	PACKAGE			TEMPERATURE RANGE
	NAME	DESCRIPTION	VERSION	
AU5783D	SO14	plastic small outline package; 14 leads; body width 3.9 mm; packed in tubes	SOT108-1	−40 to +125 °C
AU5783D-T	SO14	plastic small outline package; 14 leads; body width 3.9 mm; shipped on tape and reel	SOT108-1	−40 to +125 °C

QUICK REFERENCE DATA

SYMBOL	PARAMETER	CONDITIONS	MIN.	TYP.	MAX.	UNIT
V _{BAT.op}	Operating supply voltage		7	12	16	V
T _{amb}	Operating ambient temperature range		−40		+125	°C
V _{BAT.id}	Battery voltage	load dump, 1s			+40	V
V _{BOH}	Bus output voltage	250Ω < R _L < 1.6 kΩ	6.5		8.0	V
V _{BI}	Bus input threshold		3.55		4.2	V
I _{BAT.lp}	Sleep mode supply current				90	μA
t _p	Propagation delay	Tx to Rx			25	μs
t _r	Bus output rise time			14		μs

J1850/VPW transceiver with supply control function

AU5783

BLOCK DIAGRAM

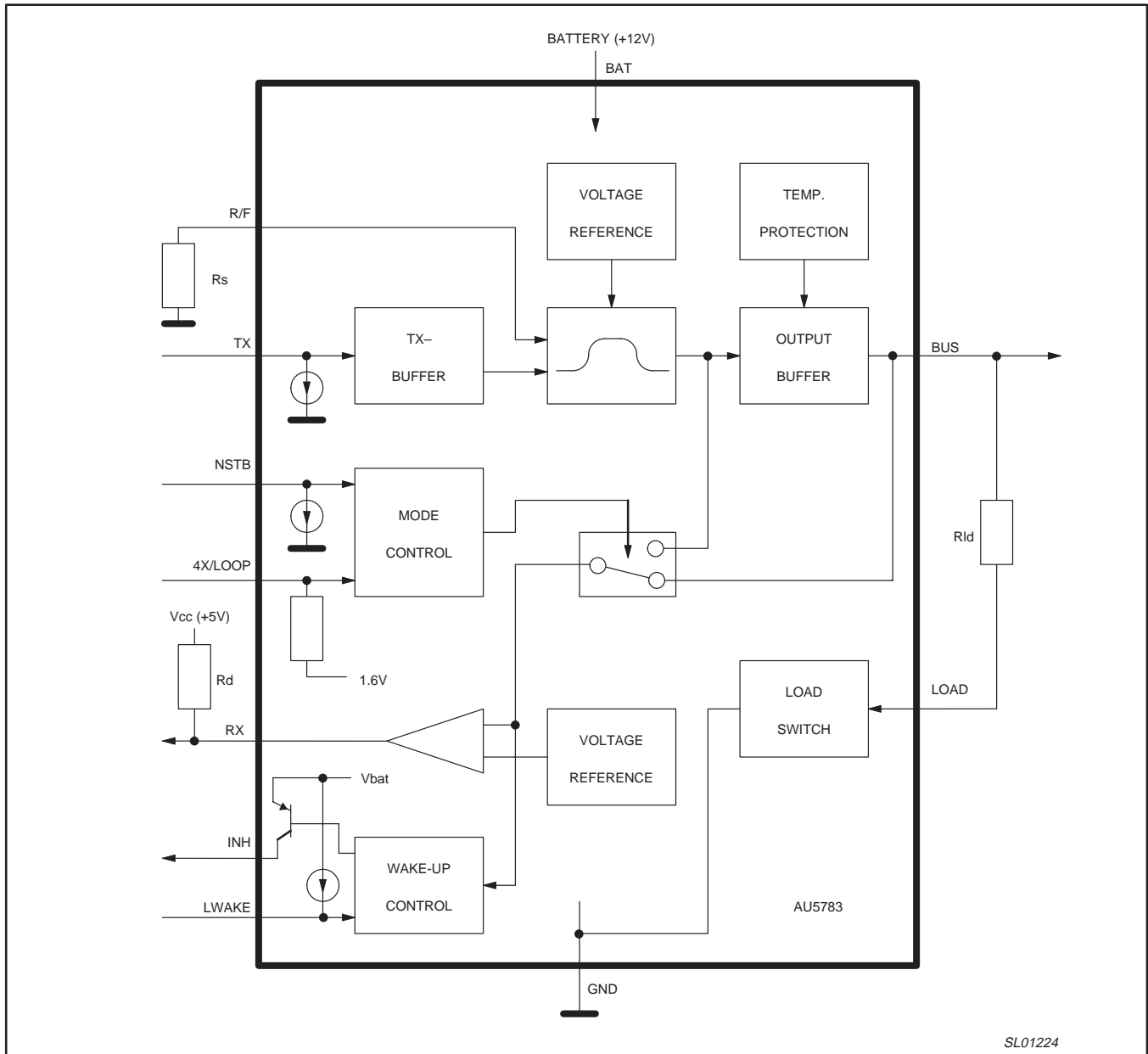


Figure 1. Block diagram

J1850/VPW transceiver with supply control function

AU5783

PINNING

Pin configuration

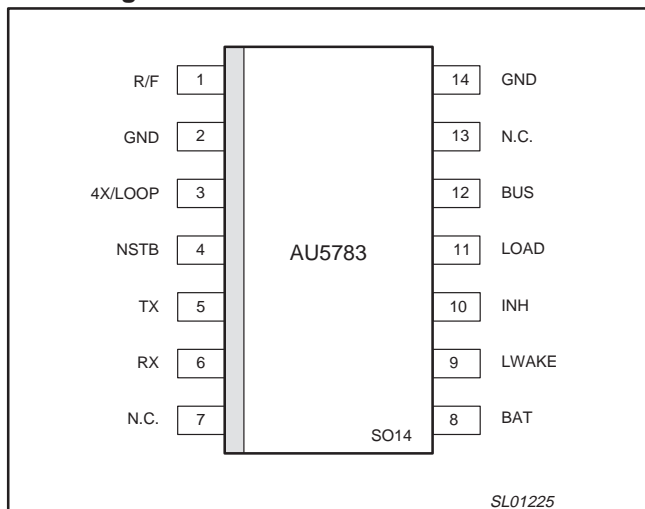


Figure 2. Pin configuration

Pin description

SYMBOL	PIN	DESCRIPTION
R/F	1	Rise/fall time control input; connect to ground potential via a resistor
GND	2	Ground
4X/LOOP	3	Tx mode control input; low: normal mode; high: 4X mode; float: loopback
NSTB	4	Network StandBy power control input; low: transmit function disabled (low power modes); high: transmit function enabled
TX	5	Transmit data input; low: transmitter passive; high: transmitter active
RX	6	Receive data output; low: active bus condition detected; high: otherwise
N.C.	7	Not connected
BAT	8	Battery supply input, 12V nominal
LWAKE	9	Local wake-up input, edge sensitive
INH	10	Activity indication flag (inhibit) output high side driver; e.g., to control a voltage regulator. Active high enables the regulator
LOAD	11	Bus load in/output
BUS	12	Bus line transmit/receive input/output, active high side driver
N.C.	13	Not connected
GND	14	Ground

FUNCTIONAL DESCRIPTION

The AU5783 is an integrated line transceiver IC that interfaces an SAE/J1850 protocol controller IC to the vehicle's multiplex bus line. It is primarily intended for automotive "Class B" multiplexing applications in passenger cars using VPW (Variable Pulse Width) modulated signals with a nominal transmission speed of 10.4 kbit/s. The device provides transmit and receive capability as well as protection to a J1850 electronic module.

A J1850 link controller feeds the transmit data stream to the transceiver's TX input. The AU5783 transceiver waveshapes the TX data input signal so as to minimize electromagnetic emission. The bus output signal features controlled rise & fall characteristic including rounded shape. A resistance being connected to the R/F control input sets the bus output slew rate.

The LOAD output is connected to the physical bus line via an external load resistor R_{ld} . The load resistor pulls the bus line to ground potential being the default state e.g. when no transmitter outputs an active state. This output ensures the J1850 network will not be affected by a potential loss of ground condition at an individual electronic control unit.

The AU5783 includes a bus receiver with filter function to minimize susceptibility against interference. The logic state of the J1850 bus signal is indicated at the RX output being connected to the J1850 link controller.

The AU5783 also provides advanced low-power modes to help minimize ignition-off power consumption of an electronic control unit. The bus receiver function is kept alive in the low-power modes. If an active state is being detected on the bus line this will be indicated via the RX output. By default the AU5783 enters the low-power standby mode when the mode control inputs NSTB and 4X/LOOP are not driven.

Ignition-off current draw can be reduced further by turning off the voltage regulator being typically provided in an electronic control unit. This is supported by the activity indication function of the AU5783. In this application the activity indication flag INH will control external devices such as a voltage regulator. To turn-off the INH flag and thus the voltage regulator, the go to sleep command needs to be applied to the Network Standby power control input, e.g., NSTB = 0. The INH output is turned off after the sleep time-out period thereby, reducing the power consumption of an electronic control unit to an extremely low level.

The activity indication flag INH will be turned on again upon detection of a remote wake-up condition (i.e. bus activity) or upon detection of a local wake-up condition or a respective command from the microcontroller. A local wake-up condition is detected when an edge occurs at the wake-up input LWAKE. The INH flag will also be turned on upon detection of a high input level at the mode control input NSTB. Activation of the INH output enables external devices e.g., a voltage regulator. This condition will power-up logic devices e.g., a microcontroller in order to perform appropriate action, e.g., activation of the AU5783 and the J1850 network.

The AU5783 provides a high-speed data transmission mode where the bus output waveshape function is disabled. In this mode transmit signals are output as fast as possible thus allowing higher data rates, e.g. the so-called 4X mode with 41.6 kbit/s nominal speed.

The AU5783 also provides a loop-back mode for diagnostic purpose, e.g. self-test of an electronic control unit. In loop-back mode the bus transmit and receive functions are disabled thus

J1850/VPW transceiver with supply control function

AU5783

essentially disconnecting an electronic control unit from the J1850 bus line. The TX signal is internally looped back to the RX output.

The AU5783 features special robustness at its BAT and BUS pins hence the device is well protected for applications in the automotive environment. Specifically the BAT input is protected against 40V load dump and jump start condition. The BUS output is protected against wiring fault conditions e.g. short circuit to ground and battery

voltage as well as typical automotive transients and electrostatic discharge. In addition, an over-temperature shutdown function with hysteresis is incorporated which protects the device under network fault conditions. In case of the die temperature reaching the trip point, the AU5783 will latch-off the transceiver function. The device is reset on the first rising edge on the TX input after a decrease in the junction temperature.

Table 1. Control input summary

Z = Input connected to high impedance permitting it to float. Typically accomplished by turning off the output of a microcontroller.
X = Don't care; The input may be at either logic level.

NSTB	4X/LOOP	TX	Mode	Bus transmitter	BUS	RX (out)	INH
1	0	1	normal operation	active	high	low	high
1	0	0	normal operation	passive	float	bus state, Note 2	high
1	1	1	4X transmit	active	high	low	high
1	1	0	4X transmit	passive	float	bus state, Note 2	high
1	Z	1	loop-back	passive	float	low	high
1	Z	0	loop-back	passive	float	high	high
0 or Z	X	X	standby (default state after power on), Note 1	off	float	bus state, Note 5	high
1 → 0	X	X	go to sleep command, Note 4	off	float	bus state, Note 5	float, Note 3
0 or Z	X	X	sleep, Note 4	off	float	bus state, Note 5	float

NOTES:

1. After power-on, the AU5783 enters standby mode since the input pins NSTB and 4X/LOOP are assumed to be floating. In standby mode the voltage regulator is enabled via the INH output, and therefore power is supplied to the microcontroller. When the microcontroller begins operation it will normally set the control inputs NSTB high and 4X/LOOP to low state in order to start normal operation of the AU5783.
2. RX outputs the bus state. If the bus level is below the receiver threshold (i.e., all transmitters passive), then RX will be high. Otherwise, if the bus level is above the receiver threshold (i.e., at least one transmitter is active), then RX will be low.
3. INH is turned off after a time-out period.
4. For entering the sleep mode (e.g., to deactivate INH), the "Go To Sleep" command needs to be applied. The "Go To Sleep" command is a high-to-low transition on the NSTB input. When the "Go To Sleep" command is present, the INH flag is deactivated. This signal can be used to turn-off the voltage regulator of an electronic module. After the voltage regulator is turned off the microcontroller is no longer supplied and the NSTB input will be floating. The INH output will be set again upon detection of bus activity or occurrence of a local wake-up event.
5. In standby and sleep mode, the detection of a wake-up condition (e.g., high level on BUS) will be signalled on the output RX.

J1850/VPW transceiver with supply control function

AU5783

ABSOLUTE MAXIMUM RATINGS

According to the IEC 134 Absolute Maximum System.

Operation is not guaranteed under these conditions; all voltages are referenced to pin GND; positive currents flow into the IC; unless otherwise specified.

SYMBOL	PARAMETER	CONDITIONS	MIN.	MAX.	UNIT
V _{BAT}	Voltage on pin BAT		-0.3	+34	V
V _{BAT,ld}	Short-term supply voltage	load dump, t < 1 s		+40	V
V _{BAT,tr}	Transient voltage on pin BAT and pin LWAKE	SAE J1113 test pulses 3A and 3B, R _{wake} > 9 k Ω	-150	+100	V
V _{B0}	Bus voltage	V _{BAT} < 2V, R _{ld} > 1.4 k Ω	-16	+18	V
V _{B1}	Bus voltage	V _{BAT} > 2V, R _{ld} > 1.4 k Ω	-10	+18	V
V _{B,tr}	Transient bus voltage	SAE J1113, test pulses 3A and 3B, coupled via C = 1 nF; R _{ld} > 1.4 k Ω	-150	+100	V
V _{WKE}	Voltage on pin LWAKE		-0.3	+14	V
V _{WKR}	Voltage on pin LWAKE	via series resistor of R _{wake} > 9 k Ω	-16	+34	V
V _{INH}	DC voltage on pin INH		-0.3	+14	V
V _I	DC voltage on pins TX, RX, NSTB, 4X/LOOP, R/F		-0.3	7.0	V
ESD _{HBM1}	ESD capability of pins BAT, BUS, LOAD and LWAKE	Human body model, direct contact discharge, R = 1.5 k Ω , C = 100 pF, R _{ld} > 1.4 k Ω ; R _{wake} > 9 k Ω	-8	+8	kV
ESD _{HBM2}	ESD capability of all pins	Human body model, direct contact discharge, R = 1.5 k Ω , C = 100 pF	-2	+2	kV
P _{tot}	Maximum power dissipation	@ T _{amb} = +125 °C		205	mW
Θ_{JA}	Thermal impedance	with standard test PCB		120	°C/W
T _{amb}	Operating ambient temperature		-40	+125	°C
T _{vj}	Operating junction temperature		-40	+150	°C
T _{stg}	Storage temperature		-40	+150	°C

J1850/VPW transceiver with supply control function

AU5783

DC ELECTRICAL CHARACTERISTICS

$7V < V_{BAT} < 16V$; $-40\text{ }^{\circ}\text{C} < T_{amb} < +125\text{ }^{\circ}\text{C}$; $250\Omega < R_L < 1.6\text{ k}\Omega$; $1.4\text{ k}\Omega < R_{ld} < 12\text{ k}\Omega$;
 $-2V < V_{bus} < +9V$; $NSTB = 5V$; $4X/LOOP = 5V$; $R_S = 56\text{ k}\Omega$; RX connected to +5V via $R_d = 3.9\text{ k}\Omega$; INH loaded with $100\text{ k}\Omega$ to GND;
 LWAKE connected to BAT via $10\text{ k}\Omega$ resistor; all voltages are referenced to pin 14 (GND); positive currents flow into the IC;
 typical values reflect the approximate average value at $V_{BAT} = 13V$ and $T_{amb} = 25\text{ }^{\circ}\text{C}$; unless otherwise specified.

SYMBOL	PARAMETER	CONDITIONS	MIN.	TYP.	MAX.	UNIT
Pin BAT & thermal shutdown						
$I_{BAT.sl}$	Sleep mode supply current	Note 6			90	μA
$I_{BAT.sb}$	Standby mode supply current	Note 6			210	μA
$I_{BAT.p}$	Supply current; passive state	$TX = 0V$; $LWAKE = 0V$			3	mA
$I_{BAT.wl}$	Supply current; weak load	$TX = 5V$, $R_L = 1.38\text{ k}\Omega$, Note 7			16	mA
$I_{BAT.fl}$	Supply current; full load	$TX = 5V$, $R_L = 250\Omega$			45	mA
T_{sd}	Thermal shutdown temperature	Note 7	155		190	$^{\circ}\text{C}$
T_{hys}	Thermal shutdown hysteresis	Note 7	5		15	$^{\circ}\text{C}$
Pins TX, NSTB						
V_{ih}	High level input voltage		2.7			V
V_{il}	Low level input voltage				0.9	V
I_{ihtx}	TX high level input current	$V_{TX} = 5V$	50		200	μA
I_{ihnstb}	NSTB high level input current	$V_{NSTB} = 5V$	10		50	μA
I_{il}	Low level input current	$V_i = 0V$	-2		+2	μA
Pin 4X/LOOP						
V_{ih}	High level input voltage (High Speed Mode)	$NSTB = 5V$	2.7			V
I_{ih}	High level input current	$V_{4X} = 5V$, $NSTB = 5V$	50		200	μA
V_{itb}	Mid level input voltage (Loop back operation)	$NSTB = 5V$	1.3		1.9	V
I_{itb}	Loopback mode input current	$NSTB = 5V$	-10		+10	μA
V_{il}	Low level input voltage (Normal Mode)	$NSTB = 5V$			+0.7	V
$-I_{il}$	Low level input current	$V_{4X} = 0V$, $NSTB = 5V$	50		200	μA
$-I_{ils}$	Low level input current in standby and sleep mode	$V_{4X} = 0V$, $NSTB = 0V$	-5		+5	μA
Pin LWAKE						
V_{i_wh}	Local wake-up high	$NSTB = 0V$	3.9			V
V_{i_wl}	Local wake-up low	$NSTB = 0V$			2.5	V
$-I_{l_w}$	Low level input current	$V_{LWAKE} = 0V$	5		25	μA
Pin INH						
$-I_{oh_inh}$	INH high level output current	$V_{INH} = V_{BAT} - 1V$; $4.9V < V_{BAT} < 16V$	120		500	μA
$-I_{ol_inh}$	INH off-state output leakage	$V_{INH} = 0V$; $NSTB = 0V$	-5		+5	μA
V_{bat_POR}	Power-on reset release voltage; Battery voltage threshold for setting INH output	$NSTB = 1V$, $BUS = 0V$, $V_{BAT} = 3.5V$, verify $INH = 0$; $V_{BAT} = 4.4V$, verify $INH = 1$	3.5		4.4	V
Pin RX						
V_{ol_rx}	Low level output voltage	$I_{RX} = 1.6\text{ mA}$, $BUS = 7V$, all modes	0		0.45	V
I_{ol_rx}	Low level output current	$V_{RX} = 5V$, $BUS = 7V$	2		20	mA
I_{oh_rx}	High level output leakage	$V_{RX} = 5V$, $BUS = 0V$, all modes	-10		+10	μA

J1850/VPW transceiver with supply control function

AU5783

SYMBOL	PARAMETER	CONDITIONS	MIN.	TYP.	MAX.	UNIT
Pin BUS						
V_{BOh}	BUS voltage; active	TX = 5V; Note 8 8.3V < V_{BAT} < 16V; 250Ω < R_L < 1.6kΩ	6.5		8.0	V
V_{BOhl}	BUS voltage; low battery	TX = 5V; Note 8 5.5V < V_{BAT} < 8.3V; 250Ω < R_L < 1.6kΩ	$V_{BAT} - 1.8$		8.0	V
$-I_{BO.LIM}$	BUS short circuit current	TX = 5V; $V_{BUS} = -2V$	35		100	mA
$-I_{BO.LK1}$	BUS leakage current; passive state	TX = 0V; 0V < V_{BAT} < 16V; -2V < V_{BUS} < +9V	-50		+50	μA
$-I_{BO.LK0}$, $-I_{BO.LK5}$	BUS current with loss of battery	$V_{BAT} < 2V$; -2V < V_{BUS} < +9V	-50		+50	μA
$-I_{BO.LKLB0}$, $-I_{BO.LKLB5}$	BUS leakage current; loop back mode	TX = 0V or 5V; 0V < V_{BAT} < 16V; -2V < V_{BUS} < +9V	-50		+50	μA
$-I_{LOG}$	BUS leakage current at loss of ground	0V < V_{BAT} < 16V; see test circuit	-20		+100	μA
V_{Bih}	Bus input high voltage	4X/LOOP = 5V and 4X/LOOP = 0V	4.2			V
V_{Bil}	Bus input low voltage	4X/LOOP = 5V and 4X/LOOP = 0V			3.55	V
V_{Bhy}	Bus input hysteresis	4X/LOOP = 5V and 4X/LOOP = 0V	0.1		0.5	V
V_{Bih_l}	Bus input high voltage at low battery	5.7V < V_{BAT} < 7V, 4X/LOOP = 5V and 4X/LOOP = 0V	4.2			V
V_{Bil_L}	Bus input low voltage at low battery	5.7V < V_{BAT} < 7V, 4X/LOOP = 5V and 4X/LOOP = 0V			$V_{BAT} - 3.5V$	V
V_{Bih_s}	Bus input high voltage in standby and sleep mode	NSTB = 0V, 4X/LOOP = 5V and 4X/LOOP = 0V, 6V < V_{BAT} < 16V	4.2			V
V_{Bil_s}	Bus input low voltage in standby and sleep mode	NSTB = 0V, 4X/LOOP = 5V and 4X/LOOP = 0V, 6V < V_{BAT} < 16V			2.2	V
V_{Bih_sl}	Bus input high voltage in standby and sleep mode at low battery	NSTB = 0V, 4X/LOOP = 5V and 4X/LOOP = 0V , 4.5V < V_{BAT} < 6V	$\frac{1}{2}(V_{BAT} + 2.4)$			V
V_{Bil_sl}	Bus input low voltage in standby and sleep mode at low battery	NSTB = 0V, 4X/LOOP = 5V and 4X/LOOP = 0V , 4.5V < V_{BAT} < 6V			$\frac{1}{2}(V_{BAT} - 1.6)$	V
Pin LOAD						
V_{ld}	Load output voltage	$I_{ld} = 2mA$			0.2	V
V_{ldoff}	Load output voltage unpowered	$I_{ld} = 6mA$, $V_{BAT} = 0V$			1	V

NOTES:

- TX = 0V; NSTB = 0V; 7V < V_{BAT} < 13V; T_j < 125°C; -1V < V_{BUS} < 1V; LWAKE connected to BAT via 10kΩ; INH not connected.
- This parameter is characterized but not subject to production test.
- For $V_{BAT} < 8.3V$ the bus output voltage is limited by the supply voltage.
For 16V < V_{BAT} < 27V the load is limited by the package power dissipation ratings. The duration of the latter condition is recommended to be less than 2 minutes.

J1850/VPW transceiver with supply control function

AU5783

DYNAMIC CHARACTERISTICS

$7V < V_{BAT} < 16V$; $-40^{\circ}C < T_{amb} < +125^{\circ}C$; $-2V < V_{bus} < +9V$; $1.4 k\Omega < R_{id} < 12 k\Omega$

BUS: $250 \Omega < R_L < 1.6 k\Omega$; $3nF < C_L < 17nF$; $1.7 \mu s < (R_L * C_L) < 5.2 \mu s$

Bus load A: $R_L = 1.38 k\Omega$, $C_L = 3.3 nF$; Bus load B: $R_L = 300\Omega$, $C_L = 16.5 nF$

R/F pin: $R_s = 56 k\Omega$; INH loaded with $100 k\Omega$ and $30pF$ to GND

RX pin: $R_d = 3.9 k\Omega$ to $5V$; $C_L = 30pF$ to GND; $NSTB = 5V$; $4X/LOOP = 0V$

Typical values reflect the approximate average value at $V_{BAT} = 13V$ and $T_{amb} = 25^{\circ}C$; unless otherwise specified.

$NSTB$ and $4X/LOOP$ rise and fall times $< 10 ns$.

SYMBOL	PARAMETER	CONDITIONS	MIN.	TYP.	MAX.	UNIT
CTX	TX input capacitance	Note 9			15	pF
INH output function						
t_{inhoff}	INH turn-off delay	BUS = 0V, LWAKE = V_{BAT} or 0V, goto sleep command, measured from $NSTB = 0.9V$ to INH = 3.5V	20		200	μs
t_{inhonl}	LWAKE to INH turn-on delay	$NSTB = 0V$, BUS = 0V, measured from LWAKE = 3V to INH = 3.5V	8		100	μs
t_{inhonr}	BUS to INH turn-on delay	sleep mode, LWAKE = V_{BAT} , measured from BUS = 3.875V to INH = 3.5V	8		40	μs
BUS output function						
t_{BOon} ; t_{BOoff}	Delay TX to BUS rising and falling edge	from TX = 2.5V to BUS = 3.875V; bus load A and bus load B	13		22	μs
t_{BrA}	Bus voltage rise time	bus load A, $9V < V_{BAT} < 16V$, measured at 1.5V and 6.25V	11		18	μs
t_{BrB}	Bus voltage rise time	bus load B, $9V < V_{BAT} < 16V$, measured at 1.5V and 6.25V	11		18	μs
t_{BfA}	Bus output voltage fall time	bus load A, $9V < V_{BAT} < 16V$, measured at 1.5V and 6.25V	11		18	μs
t_{BfB}	Bus output voltage fall time	bus load B, $9V < V_{BAT} < 16V$, measured at 1.5V and 6.25V	11		18	μs
t_{ir}	Bus output current rise time	bus load B connected to -2V, $9V < V_{BAT} < 16V$, measured at 20% and 80% of load capacitor current	4			μs
t_{if}	Bus output current fall time	bus load B connected to -2V, $9V < V_{BAT} < 16V$, measured at 20% and 80% of load capacitor current	4			μs
t_{wBh}	BUS high pulse width	TX = high for 64 μs , bus load condition A, measured at BUS = 3.875V, $9V < V_{BAT} < 16V$	61.3		66.7	μs
B_{HRM}	Bus output voltage harmonic content; normal mode	$f = 530kHz$ to $1670kHz$, bus load B connected to -2V, TX = 7.81kHz, 50% duty cycle, $9V < V_{BAT} < 16V$, Note 9			70	dB μV
t_{BO4Xon} ; $t_{BO4Xoff}$	TX to BUS delay in 4X mode	$4X/LOOP = 1V$, bus load B, $9V < V_{BAT} < 16V$, from TX = 1.8V to BUS = 3.875V	0.5		4	μs
t_{pon} ; t_{poff}	Delay TX to RX rising and falling edge in normal mode	measured from 1.8V on TX to 2.5V on RX	13		25	μs
t_{plbon} ; t_{plboff}	Delay TX to RX rising and falling edge in loop-back mode	$NSTB = 5V$, 4X = floating, measured from 1.8V on TX to 2.5V on RX	13		25	μs

J1850/VPW transceiver with supply control function

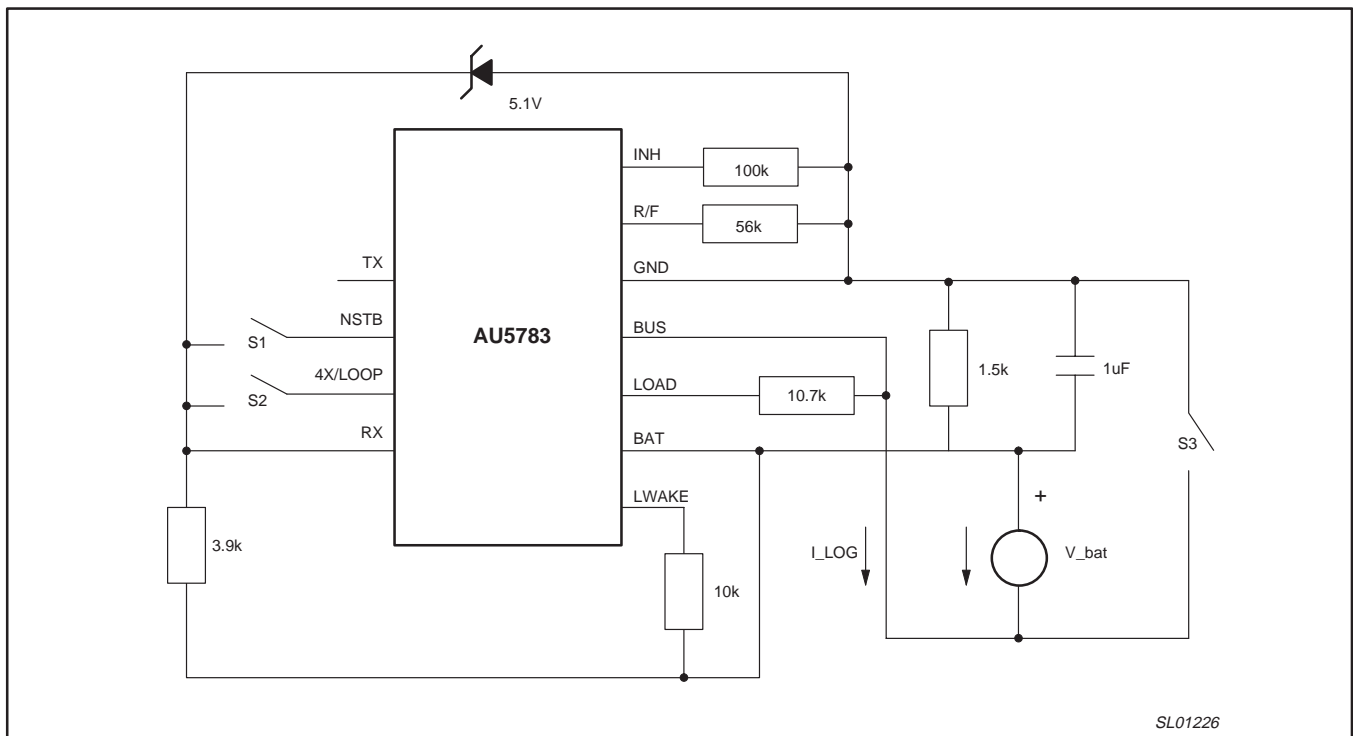
AU5783

SYMBOL	PARAMETER	CONDITIONS	MIN.	TYP.	MAX.	UNIT
BUS input function						
$t_{DRXon}; t_{DRXoff}$	BUS input delay time, rising and falling edge	measured from $V_{BUS} = 3.875V$ to $V_{RX} = 2.5V$	0.2		2	μs
t_{tRX}	RX output transition time, rising and falling edge	$NSTB = 5V$, measured at 10% and 90% of waveform			1	μs
t_{tRXsl}	RX output transition time in standby and sleep mode, rising and falling edge	$NSTB = 0V$, measured at 10% and 90% of waveform			5	μs
t_{DRXsl}	BUS to RX delay in sleep and standby modes	$NSTB = 0, LWAKE = V_{BAT}$, measured from $BUS = 3.875V$ to $RX = 2.5V$	8		40	μs

NOTES:

9. This parameter is characterized but not subject to production test.

TEST CIRCUITS



NOTE:

10. Check I_{LOG} with the following switch positions:

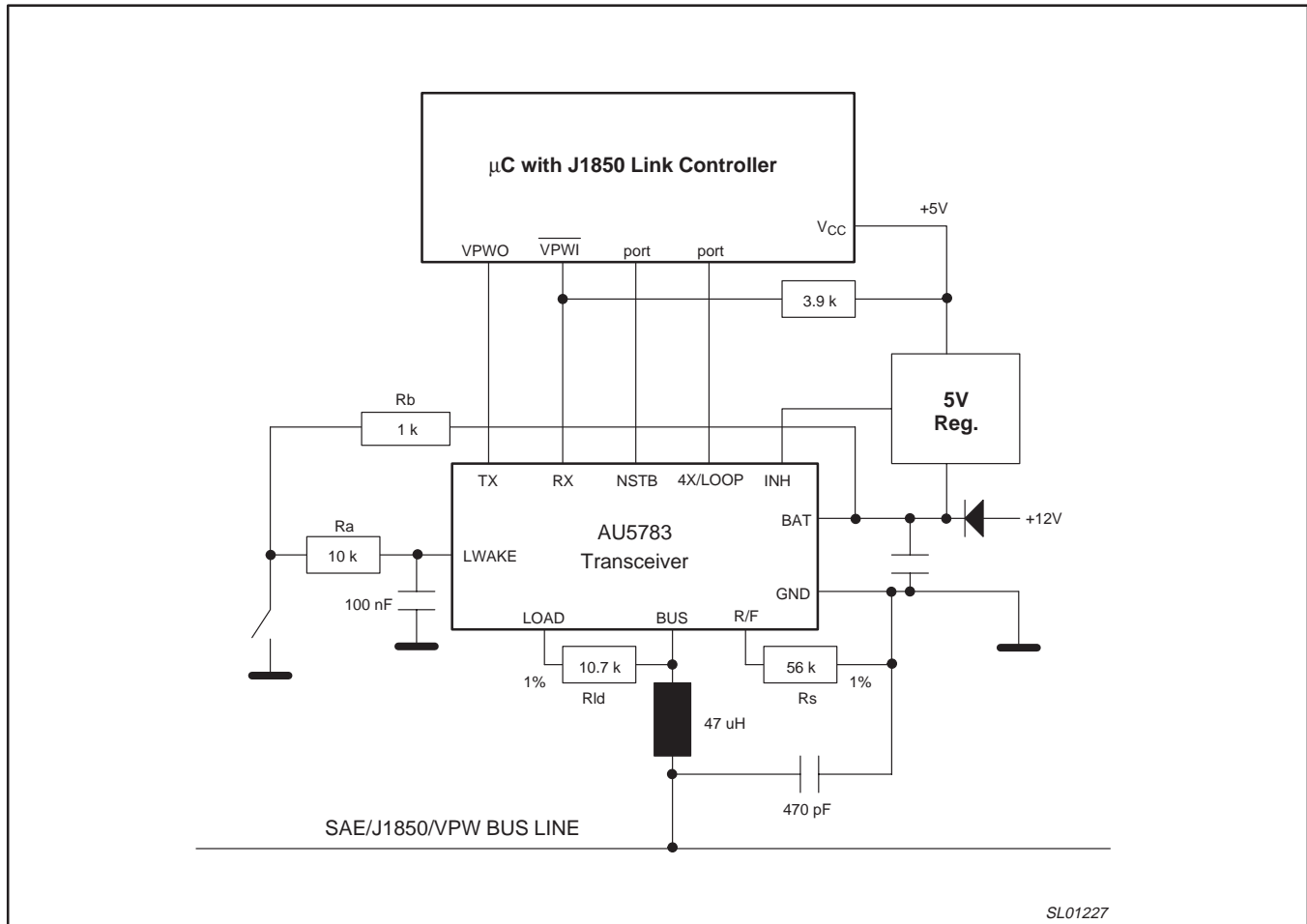
1. S1 = open = S2
2. S1 = open, S2 = closed
3. S1 = closed, S2 = open
4. S1 = closed = S2

Figure 3. Test circuit for loss of ground condition

J1850/VPW transceiver with supply control function

AU5783

APPLICATION INFORMATION



SL01227

NOTES:

- 11. Value of R_{ld} depends, e.g., on type of bus node. Example: secondary node $R_{ld} = 10.7k$, primary node $R_{ld} = 1.5k$.
- 12. For connection of the NSTB and 4X/LOOP pins there are different options, e.g., connect to a port pin or to V_{CC} or to active low reset.

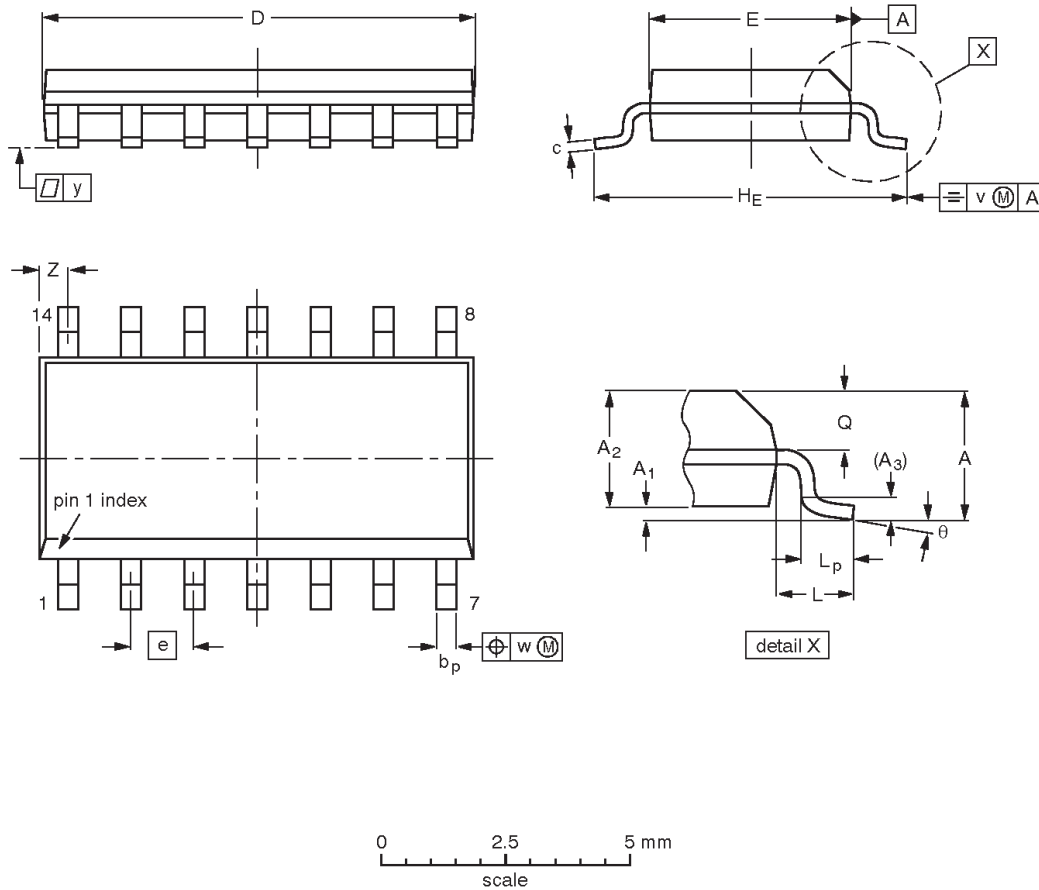
Figure 4. Application of the AU5783 transceiver

J1850/VPW transceiver with supply control function

AU5783

SO14: plastic small outline package; 14 leads; body width 3.9 mm

SOT108-1



DIMENSIONS (inch dimensions are derived from the original mm dimensions)

UNIT	A max.	A ₁	A ₂	A ₃	b _p	c	D ⁽¹⁾	E ⁽¹⁾	e	H _E	L	L _p	Q	v	w	y	Z ⁽¹⁾	θ
mm	1.75 0.10	0.25 1.25	1.45 0.49	0.25 0.36	0.49 0.19	0.25 0.19	8.75 8.55	4.0 3.8	1.27	6.2 5.8	1.05	1.0 0.4	0.7 0.6	0.25	0.25	0.1	0.7 0.3	8° 0°
inches	0.069 0.004	0.010 0.049	0.057 0.049	0.01	0.019 0.014	0.0100 0.0075	0.35 0.34	0.16 0.15	0.050	0.244 0.228	0.041	0.039 0.016	0.028 0.024	0.01	0.01	0.004	0.028 0.012	

Note

1. Plastic or metal protrusions of 0.15 mm maximum per side are not included.

OUTLINE VERSION	REFERENCES				EUROPEAN PROJECTION	ISSUE DATE
	IEC	JEDEC	EIAJ			
SOT108-1	076E06S	MS-012AB				95-01-23 97-05-22

J1850/VPW transceiver with supply control function

AU5783

NOTES

J1850/VPW transceiver with supply control function

AU5783

Data sheet status

Data sheet status	Product status	Definition [1]
Objective specification	Development	This data sheet contains the design target or goal specifications for product development. Specification may change in any manner without notice.
Preliminary specification	Qualification	This data sheet contains preliminary data, and supplementary data will be published at a later date. Philips Semiconductors reserves the right to make changes at any time without notice in order to improve design and supply the best possible product.
Product specification	Production	This data sheet contains final specifications. Philips Semiconductors reserves the right to make changes at any time without notice in order to improve design and supply the best possible product.

[1] Please consult the most recently issued datasheet before initiating or completing a design.

Definitions

Short-form specification — The data in a short-form specification is extracted from a full data sheet with the same type number and title. For detailed information see the relevant data sheet or data handbook.

Limiting values definition — Limiting values given are in accordance with the Absolute Maximum Rating System (IEC 134). Stress above one or more of the limiting values may cause permanent damage to the device. These are stress ratings only and operation of the device at these or at any other conditions above those given in the Characteristics sections of the specification is not implied. Exposure to limiting values for extended periods may affect device reliability.

Application information — Applications that are described herein for any of these products are for illustrative purposes only. Philips Semiconductors make no representation or warranty that such applications will be suitable for the specified use without further testing or modification.

Disclaimers

Life support — These products are not designed for use in life support appliances, devices or systems where malfunction of these products can reasonably be expected to result in personal injury. Philips Semiconductors customers using or selling these products for use in such applications do so at their own risk and agree to fully indemnify Philips Semiconductors for any damages resulting from such application.

Right to make changes — Philips Semiconductors reserves the right to make changes, without notice, in the products, including circuits, standard cells, and/or software, described or contained herein in order to improve design and/or performance. Philips Semiconductors assumes no responsibility or liability for the use of any of these products, conveys no license or title under any patent, copyright, or mask work right to these products, and makes no representations or warranties that these products are free from patent, copyright, or mask work right infringement, unless otherwise specified.

Philips Semiconductors
811 East Arques Avenue
P.O. Box 3409
Sunnyvale, California 94088-3409
Telephone 800-234-7381

© Copyright Philips Electronics North America Corporation 1999
All rights reserved. Printed in U.S.A.

Date of release: 05-99

Document order number:

9397 750 06021

Let's make things better.