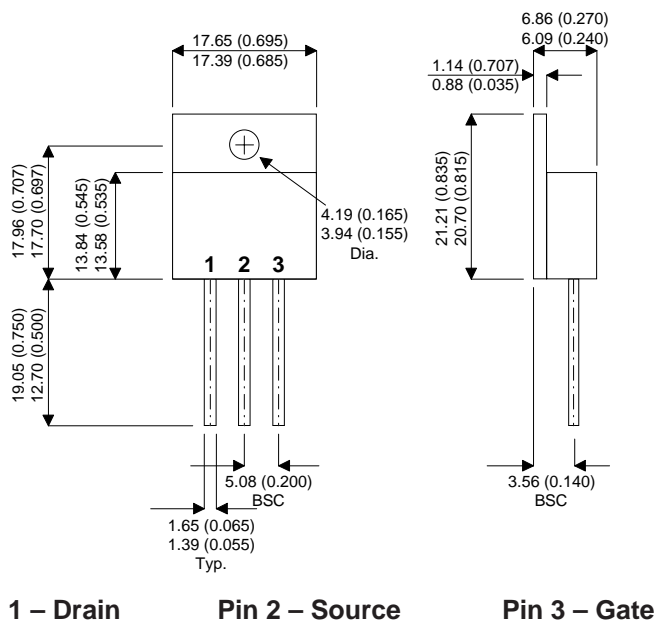


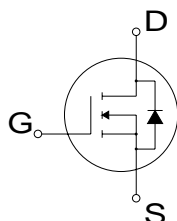
TO-258 Package Outline.
Dimensions in mm (inches)



**N-CHANNEL
ENHANCEMENT MODE
HIGH VOLTAGE
POWER MOSFETS**

V_{DSS} 600V
 $I_{D(cont)}$ 20A
 $R_{DS(on)}$ 0.270 Ω

- **Faster Switching**
- **Lower Leakage**
- **TO-258 Hermetic Package**



StarMOS is a new generation of high voltage N-Channel enhancement mode power MOSFETs. This new technology minimises the JFET effect, increases packing density and reduces the on-resistance. StarMOS also achieves faster switching speeds through optimised gate layout.

ABSOLUTE MAXIMUM RATINGS ($T_{case} = 25^{\circ}C$ unless otherwise stated)

V_{DSS}	Drain – Source Voltage	600	V
I_D	Continuous Drain Current	20	A
I_{DM}	Pulsed Drain Current ¹	80	A
V_{GS}	Gate – Source Voltage	± 30	V
V_{GSM}	Gate – Source Voltage Transient	± 40	
P_D	Total Power Dissipation @ $T_{case} = 25^{\circ}C$	250	W
	Derate Linearly	2.0	W/ $^{\circ}C$
T_J, T_{STG}	Operating and Storage Junction Temperature Range	-55 to 150	$^{\circ}C$
T_L	Lead Temperature : 0.063" from Case for 10 Sec.	300	
I_{AR}	Avalanche Current ¹ (Repetitive and Non-Repetitive)	20	A
E_{AR}	Repetitive Avalanche Energy ¹	30	mJ
E_{AS}	Single Pulse Avalanche Energy ²	1300	

1) Repetitive Rating: Pulse Width limited by maximum junction temperature.

2) Starting $T_J = 25^{\circ}C$, $L = 6.5mH$, $R_G = 25\Omega$, Peak $I_L = 20A$

STATIC ELECTRICAL RATINGS ($T_{case} = 25^{\circ}C$ unless otherwise stated)

	Characteristic	Test Conditions	Min.	Typ.	Max.	Unit
BV_{DSS}	Drain – Source Breakdown Voltage	$V_{GS} = 0V, I_D = 250\mu A$	600			V
I_{DSS}	Zero Gate Voltage Drain Current ($V_{GS} = 0V$)	$V_{DS} = V_{DSS}$			25	μA
		$V_{DS} = 0.8V_{DSS}, T_C = 125^{\circ}C$			250	
I_{GSS}	Gate – Source Leakage Current	$V_{GS} = \pm 30V, V_{DS} = 0V$			± 100	nA
$V_{GS(TH)}$	Gate Threshold Voltage	$V_{DS} = V_{GS}, I_D = 1.0mA$	2		4	V
$I_{D(ON)}$	On State Drain Current ²	$V_{DS} > I_{D(ON)} \times R_{DS(ON)} \text{ Max}$ $V_{GS} = 10V$	20			A
$R_{DS(ON)}$	Drain – Source On State Resistance ²	$V_{GS} = 10V, I_D = 0.5 I_D [\text{Cont.}]$			0.270	Ω

DYNAMIC CHARACTERISTICS

	Characteristic	Test Conditions	Min.	Typ.	Max.	Unit
C_{iss}	Input Capacitance	$V_{GS} = 0V$		4300	5160	pF
C_{oss}	Output Capacitance	$V_{DS} = 25V$		525	735	
C_{rss}	Reverse Transfer Capacitance	$f = 1MHz$		220	330	
Q_g	Total Gate Charge ³	$V_{GS} = 10V$		185	275	nC
Q_{gs}	Gate – Source Charge	$V_{DD} = 0.5 V_{DSS}$		23	35	
Q_{gd}	Gate – Drain (“Miller”) Charge	$I_D = I_D [\text{Cont.}] @ 25^{\circ}C$		85	125	
$t_{d(on)}$	Turn-on Delay Time	$V_{GS} = 15V$		14	28	ns
t_r	Rise Time	$V_{DD} = 0.5 V_{DSS}$		12	28	
$t_{d(off)}$	Turn-off Delay Time	$I_D = I_D [\text{Cont.}] @ 25^{\circ}C$		55	80	
t_f	Fall Time	$R_G = 1.6\Omega$		10	20	

SOURCE – DRAIN DIODE RATINGS AND CHARACTERISTICS

	Characteristic	Test Conditions	Min.	Typ.	Max.	Unit
I_S	Continuous Source Current	(Body Diode)			20	A
I_{SM}	Pulsed Source Current ¹	(Body Diode)			80	
V_{SD}	Diode Forward Voltage ²	$V_{GS} = 0V, I_S = -I_D [\text{Cont.}]$			1.3	V
t_{rr}	Reverse Recovery Time	$I_S = -I_D [\text{Cont.}], di_S / dt = 100A/\mu s$		580		ns
Q_{rr}	Reverse Recovery Charge	$I_S = -I_D [\text{Cont.}], di_S / dt = 100A/\mu s$		12		μC

THERMAL CHARACTERISTICS

	Characteristic	Min.	Typ.	Max.	Unit
$R_{\theta JC}$	Junction to Case			0.50	$^{\circ}C/W$
$R_{\theta JA}$	Junction to Ambient			40	

1) Repetitive Rating: Pulse Width limited by maximum junction temperature.

2) Pulse Test: Pulse Width < 380 μs , Duty Cycle < 2%

3) See MIL-STD-750 Method 3471



CAUTION — Electrostatic Sensitive Devices. Anti-Static Procedures Must Be Followed.