

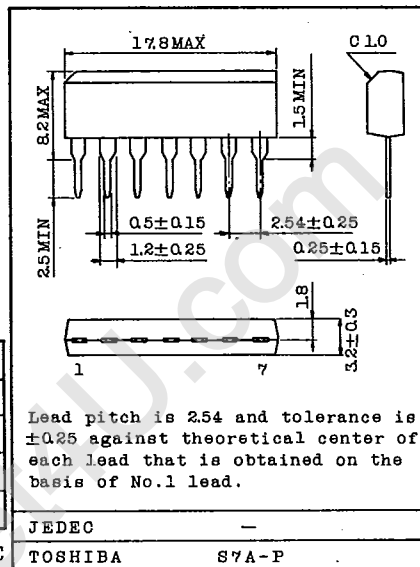
TA7120P

T-74-09-01

GENERAL PURPOSE PRE-AMPLIFIER,
VOLTAGE AMPLIFIER.

- Low Noise. : $V_{NI}=2\mu V_{rms}$ (Typ.)
- Wide Operating Supply Voltage Range.
- High Open Loop Voltage Gain : $G_{VO}=78dB$ (Typ.)

Unit in mm



MAXIMUM RATINGS (Ta=25°C)

CHARACTERISTIC	SYMBOL	RATING	UNIT
Supply Voltage	VCC	15	V
Power Dissipation (Note)	P _D	200	mW
Operating Temperature	T _{opr}	-30 ~ 75	°C
Storage Temperature	T _{stg}	-55 ~ 125	°C

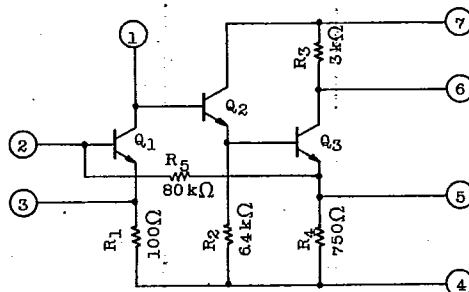
Note: Derated above Ta=25°C in the proportion of 2mW/°C

ELECTRICAL CHARACTERISTICS (VCC=8V, R_L=5.1kΩ, Ta=25°C)

CHARACTERISTIC	SYMBOL	TEST CIRCUIT	TEST CONDITION	MIN.	TYP.	MAX.	UNIT
Supply Current	I _{CC}	1	V _{IN} =0	-	1.5	2.1	mA
Voltage Gain (Open Loop)	G _{VO}	1	f=1kHz, V _{IN} =-80dBm	75	78	82	dB
Voltage Gain (Closed Loop) (Note)	G _V	2	f=1kHz, R _{NF} =35kΩ, V _{OUT} =1V _{rms}	46.5	-	52.5	dB
Maximum Output Voltage	V _{OM}	3	f=1kHz, THD=1%	1.0	-	-	V _{rms}
Equivalent Input Noise Voltage	V _{NI}	3	NAB Equalizer R _G =2.2kΩ, f=1kHz	-	2.0	-	μV _{rms}

Note: In regard to the value of Voltage Gain (closed loop voltage), it is possible to be classified.

EQUIVALENT CIRCUIT



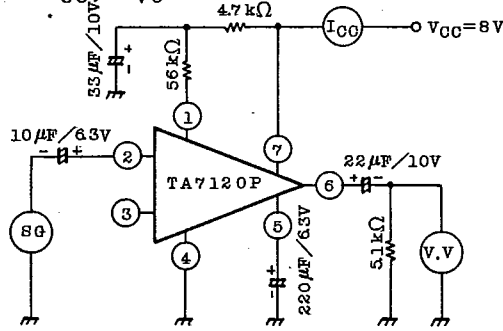
AUDIO LINEAR IC

TA7120P

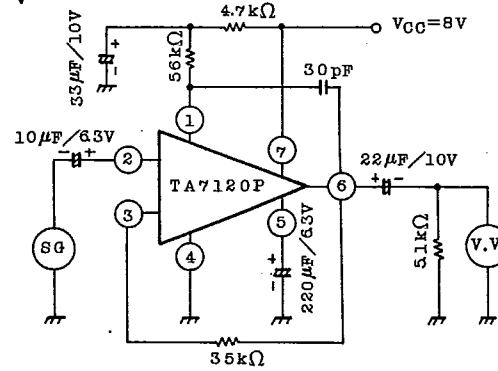
T-74-09-01

TEST CIRCUIT

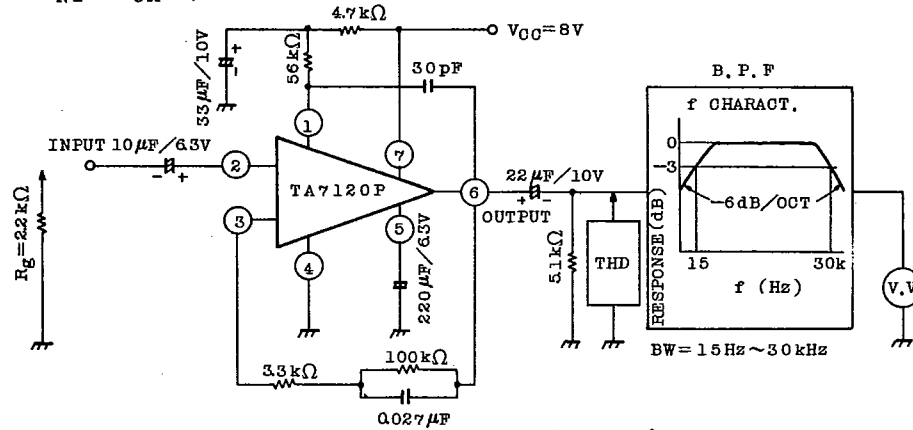
1. I_{CC} , G_V



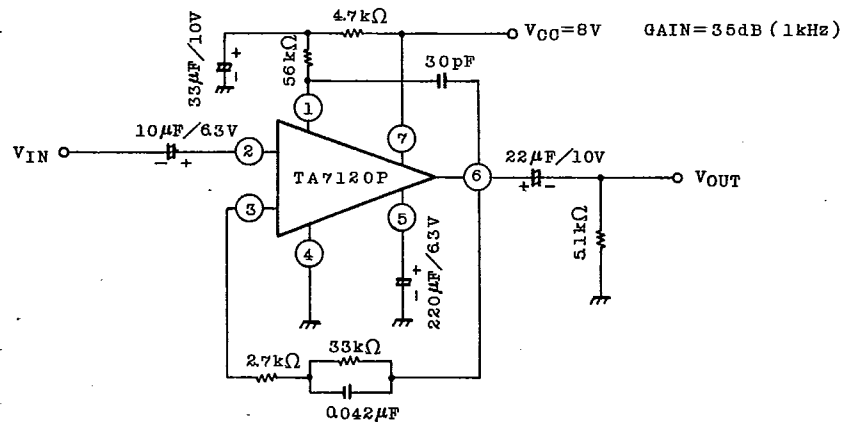
2. G_V



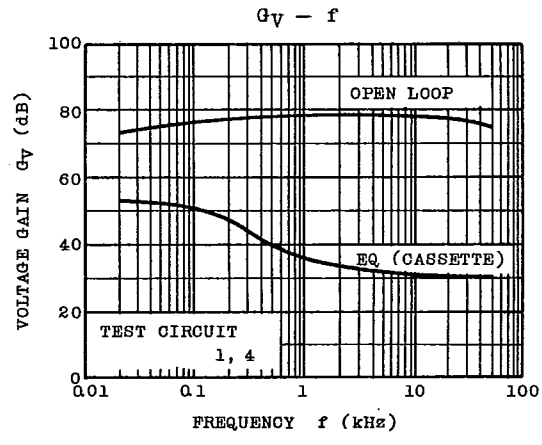
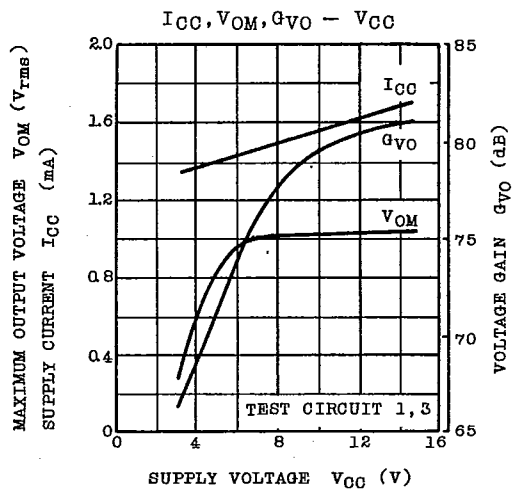
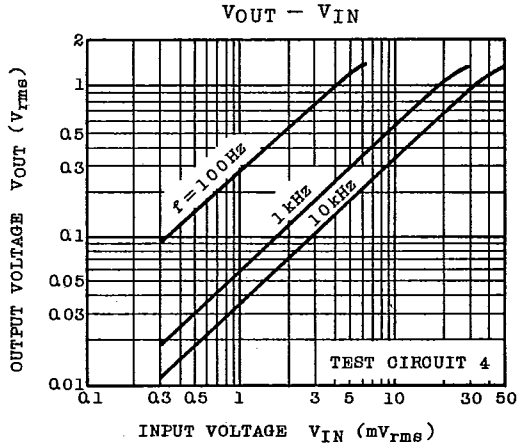
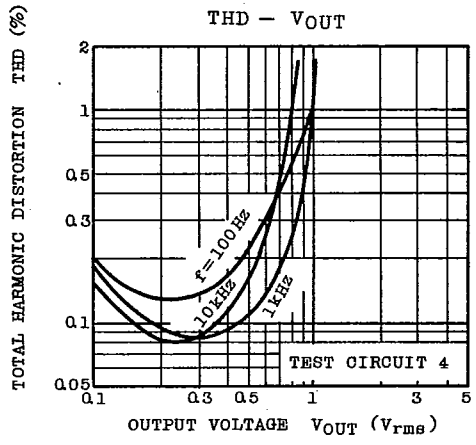
3. V_{NI} , V_{OM}



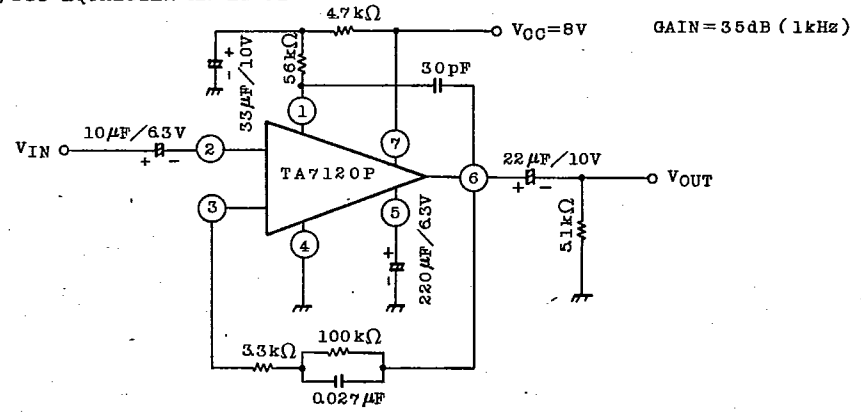
4. EQUALIZER AMPLIFIER FOR CASSETTE TAPE RECORDER



TA7120P



APPLICATION CIRCUIT
 NAB 9.8cm/sec EQUALIZER AMPLIFIER FOR CAR-STEREO



AUDIO LINEAR IC