

# AN5905

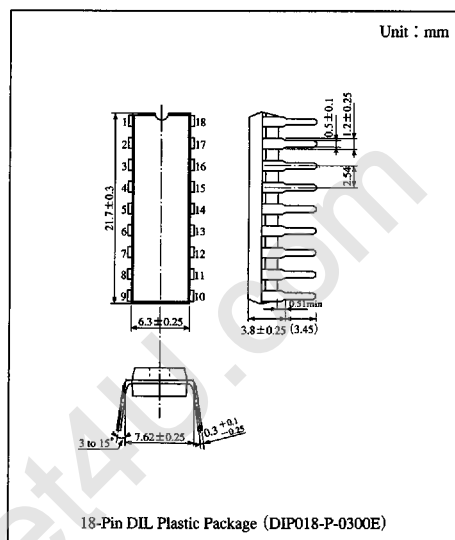
## Switching Regulator Control IC

### Overview

The AN5905 is an integrated circuit integrates necessary functions for switching power control and enables the miniaturization of power supply system.

### Features

- Oscillation frequency variable (double or quadruple)
- Over-current protective circuit
- Soft start circuit



### Block Diagram

