

BM0210

10W*2 CLASS D+ AUDIO

GENERAL DESCRIPTION

The BM0210 is two channel audio amplifier module, using unique close loop and feed forward compensation techniques (CLFFC—IP belong BM) to achieve better THD+N from 20Hz to 20KHz. It can deliver output power up to 13W (RMS) @4ohm load. The module has mute function with logic high or low control.

The voltage gain can be adjusted in the module via fix feedback resistor, the input signal is flexible. No other external components from input to output, and connect to speaker directly. Friendly analog input interface. **Very high efficiency**, do not need Heat-sink.

The BM0210 integrated mute circuit inside, it very suits for application in LCD TV, PDP TV, Projection TV and Car audio and DVD player.

APPLICATIONS

- Car audio -----2/4 channels
- PDP -----2.1 channel
- Projection TV -----2.1 channel
- LCD TV-----2 channel
- DVD player

Features

Wide VDD input range of +9V ~ +26V

Reduce system cost with no heat sink and save power

Class D+ and CLFFC IP inside

Excellent bass frequency without big bypass DC capacitor inside

Internal thermal protection

Connect to any 4 or 8 ohm speaker

No turn on/off noise

No mute on/off noise

THD+N : <0.2%@1W / 1KHz

SNR : 80db

Cross noise with other channels : 70db

Output power (RMS) is depend on the VDD and load (THD<10%)

12W @ 4ohm /+24V

6W @ 4ohm /+12V

6W @ 8ohm /+24V

Very slim size : 46.7mm*33mm

Pin1 = Audio L input

Pin2 = A-GND

Pin3 = Audio R input

Pin4 = +5V

Pin5 = DGND (power ground)

Pin6 = mute control

Pin7 = VDD (+9V ~ +25V)

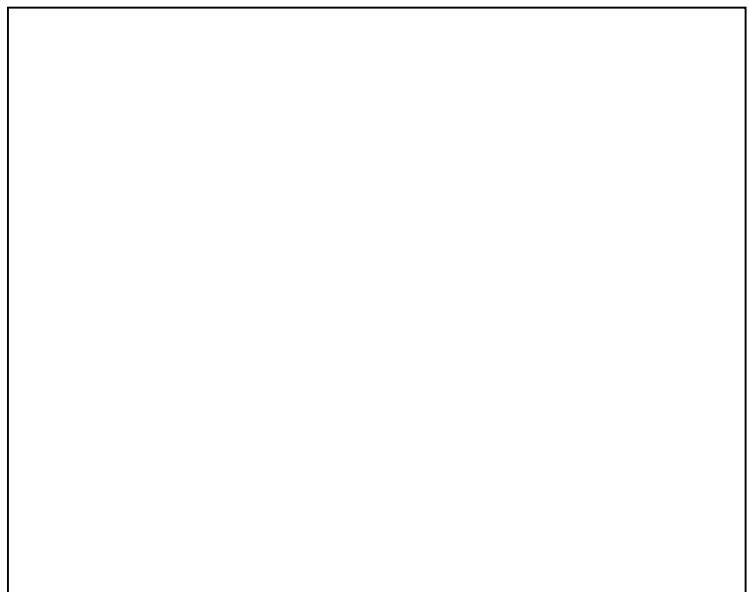
Pin8 = DGND (power ground)

Pin9 = LSP, L output to speaker

Pin10 = COM (to speaker)

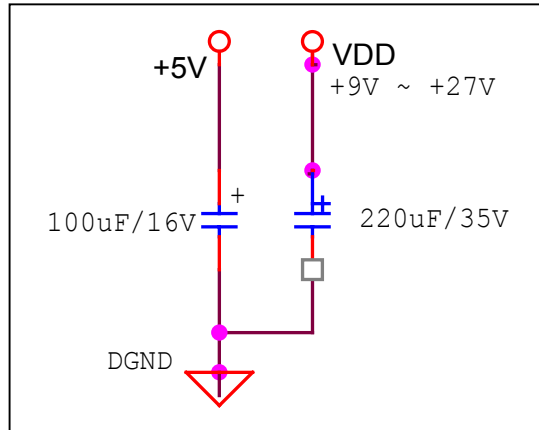
Pin11 = COM (to speaker)

Pin12 = RSP, R output to speaker



External application circuit:

Power supply (+5V and VDD)



Note1: Mute = 0 , un-Mute = open or 1