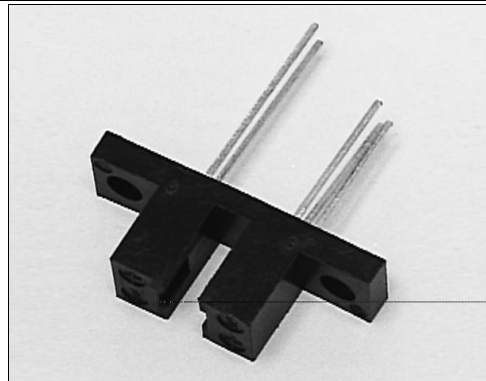


HOA2001

Transmissive Optoschmitt Sensor

FEATURES

- Direct TTL interface
- Buffer logic
- 0.060 in.(1.52 mm) dia. detector aperture
- 0.120 in.(3.05 mm) slot width
- 0.050 in.(1.27) offset pin circle detector eads



INFRA-45.TIF

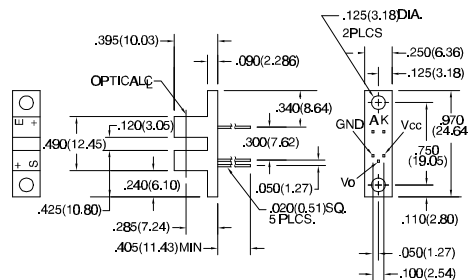
DESCRIPTION

The HOA2001 consists of an infrared emitting diode facing an Optoschmitt detector encased in a black thermoplastic housing. The photodetector consists of a photodiode, amplifier, voltage regulator, Schmitt trigger and an NPN output transistor with 10 kΩ (nominal) pull-up resistor. The buffer logic provides a high output when the optical path is clear, and a low output when the path is interrupted. The HOA2001 employs plastic molded components. For additional component information see SEP8506 and SDP8600.

Housing material is polyester. Housings are soluble in chlorinated hydrocarbons and ketones. Recommended cleaning agents are methanol and isopropanol.

OUTLINE DIMENSIONS in inches (mm)

Tolerance 3 plc decimals ±0.010(0.25)
2 plc decimals ±0.020(0.51)



DIM_062.dwg

HOA2001

Transmissive Optoschmitt Sensor

ELECTRICAL CHARACTERISTICS (25°C unless otherwise noted)

PARAMETER	SYMBOL	MIN	TYP	MAX	UNITS	TEST CONDITIONS
IR EMITTER						
Forward Voltage	V_F		1.6		V	$I_F=20$ mA
Reverse Leakage Current	I_R		10		μ A	$V_R=3$ V
DETECTOR						
Operating Supply Voltage	V_{CC}	4.5	10		V	
Low Level Supply Current	$I_{CC(L)}$	4.0	12		mA	$V_{CC}=5$ V
Low Level Supply Current		5.0	15			$V_{CC}=12$ V
High Level Supply Current	$I_{CC(H)}$	2.0	10		mA	$V_{CC}=5$ V
High Level Supply Current		3.0	12			$V_{CC}=12$ V
Low Level Output Voltage	V_{OL}		0.4		V	$I_{OL}=12.8$ mA, $I_F=0$ mA
High Level Output Voltage	V_{OH}	2.4			V	$I_{OH}=0$, $I_F=10$ mA
Hysteresis ⁽²⁾	HYST		10		%	
Propagation Delay, Low-High	t_{PLH}		5		μ s	$V_{CC}=5$ V, $I_F=10$ mA
Propagation Delay, High-Low	t_{PHL}		5		μ s	$V_{CC}=5$ V, $I_F=10$ mA
Rise Time	t_r		60		ns	$R_L=390$ Ω , $C_L=50$ pF
Fall Time	t_f		15		ns	$R_L=390$ Ω , $C_L=50$ pF
COUPLED CHARACTERISTICS						
IRET Trigger Current	I_{RT}		10		mA	$V_{CC}=5$ V
HOA2001-001						

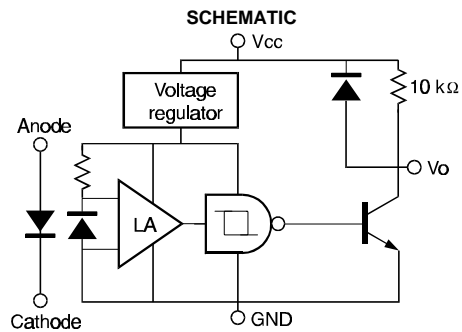
Notes

1. It is recommended that a bypass capacitor, 0.1 μ F typical, be added between V_{CC} and GND near the device in order to stabilize power supply line.
2. Hysteresis is defined as the difference between the operating and release threshold intensities, expressed as a percentage of the operate threshold intensity.

ABSOLUTE MAXIMUM RATINGS

(25°C Free-Air Temperature unless otherwise noted)

Operating Temperature Range	-40°C to 70°C
Storage Temperature Range	-40°C to 85°C
Soldering Temperature (5 sec)	240°C
IR EMITTER	
Power Dissipation	100 mW ⁽¹⁾
Reverse Voltage	3 V
Continuous Forward Current	50 mA
DETECTOR	
Supply Voltage	12 V ⁽²⁾
Output Sink Current	18 mA
Duration of Output	
Short to V_{CC} or Ground	1.0 sec.



Honeywell reserves the right to make changes in order to improve design and supply the best products possible.

Honeywell

HOA2001

Transmissive Optoschmitt Sensor

SWITCHING WAVEFORM

cir_013.cdr

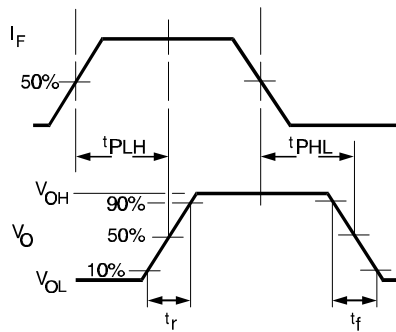
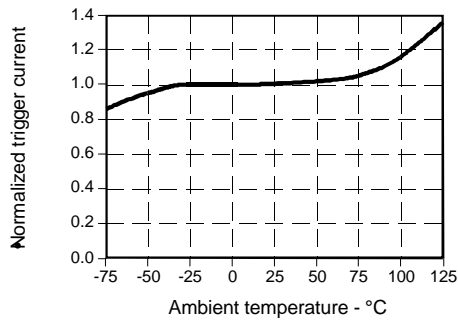


Fig. 2 IRED Trigger Current vs Temperature

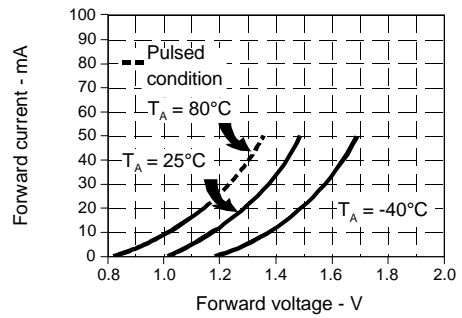
gra_098.ds4



All Performance Curves Show Typical Values

Fig. 1 IRED Forward Bias Characteristics

gra_073.ds4



HOA2001

Transmissive Optoschmitt Sensor

Honeywell reserves the right to make changes in order to improve design and supply the best products possible.

Honeywell

363