

Section 20 Electrical Specifications

20.1 Absolute Maximum Ratings

Table 20-1 lists the absolute maximum ratings.

Table 20-1 Absolute Maximum Ratings

Item	Symbol	Rating	Unit
Supply voltage	V _{CC}	-0.3 to +7.0	V
Programming voltage	V _{PP}	-0.3 to +13.5	V
Input voltage (except port 8)	V _{in}	-0.3 to V _{CC} + 0.3	V
(port 8)	V _{in}	-0.3 to AV _{CC} + 0.3	V
Analog supply voltage	AV _{CC}	-0.3 to +7.0	V
Analog input voltage	VA _N	-0.3 to AV _{CC} + 0.3	V
Operating temperature	T _{opr}	Regular specifications: -20 to +75	°C
		Wide-range specifications: -40 to +85	°C
Storage temperature	T _{stg}	-55 to +125	°C

Note: Permanent LSI damage may occur if maximum ratings are exceeded. Normal operation should be under recommended operating conditions.

20.2 Electrical Characteristics

20.2.1 DC Characteristics

Table 20-2 lists the DC characteristics.

Table 20-2 DC Characteristics

Conditions: $V_{CC} = 5.0V \pm 10\% *1$, $AV_{CC} = 5.0V \pm 10\% *1$, $V_{SS} = AV_{SS} = 0V$,
 $T_a = -20$ to $+75^\circ C$ (Regular Specifications)
 $T_a = -40$ to $+85^\circ C$ (Wide-Range Specifications)

Item		Sym- bol	Min	Typ	Max	Unit	Measurement Conditions				
Input High voltage	<u>RES, STBY,</u>	V_{IH}	$V_{CC} - 0.7$	-	$V_{CC} + 0.3$	V					
	<u>MD2, MD1, MD0</u>										
	<u>EXTAL</u>										
	<u>Port 8</u>										
	Other input pins (except port 7)		2.2	-	$V_{CC} + 0.3$	V					
Input Low voltage	<u>RES, STBY,</u>	V_{IL}	-0.3	-	0.5	V					
	<u>MD2, MD1, MD0</u>										
	Other input pins (except port 7)		-0.3	-	0.8	V					
Schmitt trigger input voltage	Port 7	V_{T-}	1.0	-	2.5	V					
		V_{T+}	2.0	-	3.5	V					
		$V_{T+} - V_{T-}$	0.4	-	-	V					
Input leakage current	<u>RES</u>	$ I_{in} $	-	-	10.0	μA	$V_{in} = 0.5$ to				
	<u>STBY, NMI,</u>						-	-	1.0	μA	$V_{CC} - 0.5V$
	<u>MD2, MD1, MD0</u> port 8						-	-	1.0	μA	$V_{in} = 0.5$ to $AV_{CC} - 0.5V$
Leakage current in 3-state (off state)	Port 9, ports 7 to 1	$ I_{TSI} $	-	-	1.0	μA	$V_{in} = 0.5$ to $V_{CC} - 0.5V$				
Input pull-up MOS current	Ports 6 and 5	$-I_P$	50	-	200	μA	$V_{in} = 0V$				
Output High Voltage	All output pins	V_{OH}	$V_{CC} - 0.5$	-	-	V	$I_{OH} = -200\mu A$				
			3.5	-	-	V	$I_{OH} = -1mA$				
Output Low Voltage	All output pins	V_{OL}	-	-	0.4	V	$I_{OL} = 1.6mA$				
	Port 4		-	-	1.0	V	$I_{OL} = 8mA$				
			-	-	1.2	V	$I_{OL} = 10mA$				
Input capacitance	<u>RES</u>	C_{in}	-	-	60	pF	$V_{in} = 0V$				
	<u>NMI</u>		-	-	30	pF	$f = 1MHz$				
	All input pins except <u>RES, NMI</u>		-	-	15	pF	$T_a = 25^\circ C$				

Note: *1 AV_{CC} must be connected to a power supply line, even when the A/D converter is not used.

Table 20-2 DC Characteristics (cont)

Item		Sym- bol	Measurement				
			Min	Typ	Max	Unit Conditions	
Current dissipation*2	Normal operation	I _{CC}	–	20	30	mA	f = 6MHz
			–	25	40	mA	f = 8MHz
			–	30	50	mA	f = 10MHz
	Sleep mode		–	12	20	mA	f = 6MHz
			–	16	25	mA	f = 8MHz
			–	20	30	mA	f = 10MHz
	Standby		–	0.01	5.0	μA	T _a ≤ 50°C
			–	–	20	μA	T _a > 50°C
Analog supply current	During A/D conversion	Al _{CC}	–	1.2	2.0	mA	
	While waiting		–	0.01	5.0	μA	
RAM standby voltage		V _{RAM}	2.0	–	–	V	

*2 Current dissipation values assume that V_{IH} min = V_{CC} – 0.5V, V_{IL} max = 0.5V, all output pins are in the no-load state, and all MOS input pull-ups are off.

Table 20-3 Allowable Output Current Sink Values

Conditions: V_{CC} = 5.0V ±10%, AV_{CC} = 5.0V ±10%, V_{SS} = AV_{SS} = 0V,

T_a = –20 to +75°C (Regular Specifications)

T_a = –40 to +85°C (Wide-Range Specifications)

Item		Symbol	Min	Typ	Max	Unit
Allowable output Low current sink (per pin)	Port 4	I _{OL}	–	–	10	mA
	Other output pins		–	–	2.0	mA
Allowable output Low current sink (total)	Port 4, total of 8 pins	Σ I _{OL}	–	–	40	mA
	Total of all other output pins		–	–	80	mA
Allowable output High current sink (per pin)	All output pins	–I _{OH}	–	–	2.0	mA
Allowable output High current sink (total)	Total of all output pins	Σ –I _{OH}	–	–	25	mA

Note: To avoid degrading the reliability of the chip, be careful not to exceed the output current sink values in table 20-3. In particular, when driving a Darlington transistor pair or LED directly, be sure to insert a current-limiting resistor in the output path. See figures 20-1 and 20-2.

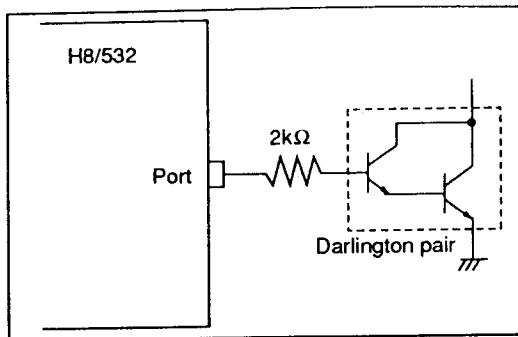


Figure 20-1 Example of Circuit for Driving a Darlington Transistor Pair

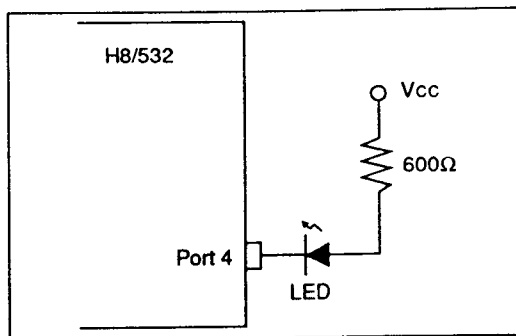


Figure 20-2 Example of Circuit for Driving an LED

20.2.2 AC Characteristics

The AC characteristics of the H8/532 chip are listed in three tables. Bus timing parameters are given in table 20-4, control signal timing parameters in table 20-5, and timing parameters of the on-chip supporting modules in table 20-6.

Table 20-4 Bus Timing

Conditions: $V_{CC} = 5.0V \pm 10\%$, $AV_{CC} = 5.0V \pm 10\%$, $\phi = 0.5$ to 10MHz, $V_{SS} = 0V$
 $T_a = -20$ to $+75^\circ C$ (Regular Specifications)
 $T_a = -40$ to $+85^\circ C$ (Wide-Range Specifications)

Item	Symbol	6MHz		8MHz		10MHz		Unit	Measurement Conditions
		Min	Max	Min	Max	Min	Max		
Clock cycle time	t_{cy}	166.7	2000	125	2000	100	2000	ns	See figure 20-4
Clock pulse width Low	t_{CL}	65	—	45	—	35	—	ns	
Clock pulse width High	t_{CH}	65	—	45	—	35	—	ns	
Clock rise time	t_{Cr}	—	15	—	15	—	15	ns	
Clock fall time	t_{Cf}	—	15	—	15	—	15	ns	
Address delay time	t_{AD}	—	70	—	65	—	65	ns	
Address hold time	t_{AH}	30	—	25	—	20	—	ns	
Data strobe delay time 1	t_{DSD1}	—	70	—	60	—	40	ns	
Data strobe delay time 2	t_{DSD2}	—	70	—	60	—	50	ns	
Data strobe delay time 3	t_{DSD3}	—	70	—	60	—	50	ns	
Write data strobe pulse width	t_{DSWW}	200	—	150	—	120	—	ns	
Address setup time 1	t_{AS1}	25	—	20	—	15	—	ns	

Table 20-4 Bus Timing (cont)

Item	Symbol	6MHz		8MHz		10MHz		Unit	Measurement Conditions
		Min	Max	Min	Max	Min	Max		
Address setup time 2	tAS2	105	–	80	–	65	–	ns	See figure 20-4
Read data setup time	tRDS	60	–	50	–	40	–	ns	
Read data hold time	tRDH	0	–	0	–	0	–	ns	
Read data access time	tACC	–	280	–	190	–	160	ns	
Write data delay time	tWDD	–	70	–	65	–	65	ns	
Write data setup time	tWDS	30	–	15	–	10	–	ns	
Write data hold time	tWDH	30	–	25	–	20	–	ns	
Wait setup time	tWTS	40	–	40	–	40	–	ns	See figure 20-5
Wait hold time	tWTH	10	–	10	–	10	–	ns	
Bus request setup time	tBRQS	40	–	40	–	40	–	ns	See figure 20-10
Bus acknowledge delay time 1	tBACD1	–	70	–	60	–	55	ns	
Bus acknowledge delay time 2	tBACD2	–	70	–	60	–	55	ns	
Bus floating delay time	tBZD	–	tBACD1	–	tBACD1	–	tBACD1	ns	
E clock delay time	tED	–	20	–	15	–	15	ns	See figure 20-11
E clock rise time	tEr	–	15	–	15	–	15	ns	
E clock fall time	tEf	–	15	–	15	–	15	ns	
Read data hold time (E clock sync)	tRDHE	0	–	0	–	0	–	ns	See figure 20-6
Write data hold time (E clock sync)	tWDHE	50	–	40	–	30	–	ns	

Table 20-5 Control Signal Timing

Conditions: $V_{CC} = 5.0V \pm 10\%$, $AV_{CC} = 5.0V \pm 10\%$, $\phi = 0.5$ to 10MHz, $V_{SS} = 0V$
 $T_a = -20$ to $+75^\circ C$ (Regular Specifications)
 $T_a = -40$ to $+85^\circ C$ (Wide-Range Specifications)

Item	Symbol	6MHz		8MHz		10MHz		Unit	Measurement Conditions
		Min	Max	Min	Max	Min	Max		
RES setup time	tRESS	200	–	200	–	200	–	ns	See figure 20-7
RES pulse width	tRESW	6.0	–	6.0	–	6.0	–	tcyc	
Mode programming setup time	tMDS	4.0	–	4.0	–	4.0	–	tcyc	
NMI setup time	tNMIS	150	–	150	–	150	–	ns	See figure 20-8
NMI hold time	tNMIH	10	–	10	–	10	–	ns	
IRQ0 setup time	tIRQ0S	50	–	50	–	50	–	ns	
IRQ1 setup time	tIRQ1S	50	–	50	–	50	–	ns	
IRQ1 hold time	tIRQ1H	10	–	10	–	10	–	ns	
NMI pulse width (for recovery from software standby mode)	tNMW	200	–	200	–	200	–	ns	See figure 20-9
Crystal oscillator settling time (reset)	tOSC1	20	–	20	–	20	–	ms	See figure 20-12
Crystal oscillator settling time (software standby)	tOSC2	10	–	10	–	10	–	ms	See figure 18-1

Table 20-6 Timing Conditions of On-Chip Supporting Modules

Conditions: $V_{CC} = 5.0V \pm 10\%$, $AV_{CC} = 5.0V \pm 10\%$, $\phi = 0.5$ to 10MHz, $V_{SS} = 0V$

$T_a = -20$ to $+75^\circ C$ (Regular Specifications)

$T_a = -40$ to $+85^\circ C$ (Wide-Range Specifications)

Item	Symbol	6MHz		8MHz		10MHz		Unit	Measurement Conditions	
		Min	Max	Min	Max	Min	Max			
FRT	Timer output delay time	tF TOD	–	100	–	100	–	100	ns	See figure 20-14
	Timer input setup time	tF TIS	50	–	50	–	50	–	ns	
	Timer clock input setup time	tF TCS	50	–	50	–	50	–	ns	See figure 20-15
	Timer clock pulse width	tF TCWL, tF TCWH	1.5	–	1.5	–	1.5	–	t _{cy}	
TMR	Timer output delay time	tT MOD	–	100	–	100	–	100	ns	See figure 20-16
	Timer clock input setup time	tT MCS	50	–	50	–	50	–	ns	See figure 20-17
	Timer clock pulse width	tT MCWL, tT MCWH	1.5	–	1.5	–	1.5	–	t _{cy}	
	Timer reset input setup time	tT MRS	50	–	50	–	50	–	ns	See figure 20-18
PWM	Timer output delay time	tP WOD	–	100	–	100	–	100	ns	See figure 20-19
SCI	Input clock cycle	(Async) tS _{cy} (Sync)	2	–	2	–	2	–	t _{cy}	See figure 20-20
	Input clock pulse width	tS _{CKW}	0.4	0.6	0.4	0.6	0.4	0.6	tS _{cy}	
	Transmit data delay time (Sync)	tT XD	–	100	–	100	–	100	ns	See figure 20-21
	Receive data setup time (Sync)	tR XS	100	–	100	–	100	–	ns	
	Receive data hold time (Sync)	tR XH	100	–	100	–	100	–	ns	
	Port	Output data delay time	tP WD	–	100	–	100	–	100	ns
Input data setup time		tP RS	50	–	50	–	50	–	ns	
Input data hold time		tP RH	50	–	50	–	50	–	ns	

• Measurement Conditions for AC Characteristics

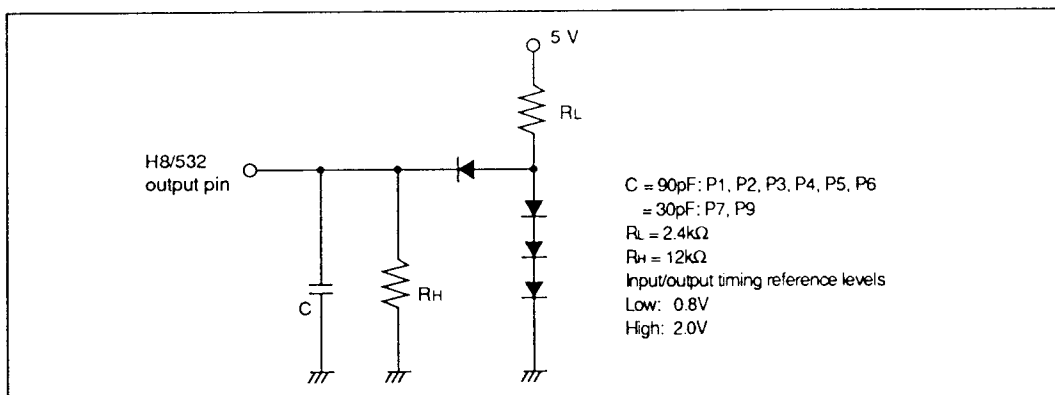


Figure 20-3 Output Load Circuit

20.2.3 A/D Converter Characteristics

Table 20-7 lists the characteristics of the on-chip A/D converter.

Table 20-7 A/D Converter Characteristics

Conditions: $V_{CC} = 5.0V \pm 10\%$, $AV_{CC} = 5.0V \pm 10\%$, $V_{SS} = AV_{SS} = 0V$,

$T_a = -20$ to $+75^\circ C$ (Regular Specifications)

$T_a = -40$ to $+85^\circ C$ (Wide-Range Specifications)

Item	6MHz			8MHz			10MHz			Unit
	Min	Typ	Max	Min	Typ	Max	Min	Typ	Max	
Resolution	10	10	10	10	10	10	10	10	10	Bits
Conversion time	—	—	23.0	—	—	17.25	—	—	13.8	μs
Analog input capacitance	—	—	20	—	—	20	—	—	20	pF
Allowable signal-source impedance	—	—	10	—	—	10	—	—	10	k Ω
Nonlinearity error	—	—	± 2.0	—	—	± 2.0	—	—	± 2.0	LSB
Offset error	—	—	± 2.0	—	—	± 2.0	—	—	± 2.0	LSB
Full-scale error	—	—	± 2.0	—	—	± 2.0	—	—	± 2.0	LSB
Quantizing error	—	—	± 0.5	—	—	± 0.5	—	—	± 0.5	LSB
Absolute accuracy	—	—	± 2.5	—	—	± 2.5	—	—	± 2.5	LSB

20.3 MCU Operational Timing

This section provides the following timing charts:

20.3.1 Bus timing	Figures 20-4 to 20-6
20.3.2 Control Signal Timing	Figures 20-7 to 20-10
20.3.3 Clock Timing	Figures 20-11 and 20-12
20.3.4 I/O Port Timing	Figure 20-13
20.3.5 16-Bit Free-Running Timer Timing	Figures 20-14 and 20-15
20.3.6 8-Bit Timer Timing	Figures 20-16 to 20-18
20.3.7 Pulse Width Modulation Timer Timing	Figure 20-19
20.3.8 Serial Communication Interface Timing	Figure 20-20 and 20-21

20.3.1 Bus Timing

1. Basic Bus Cycle (without Wait States) in Expanded Modes

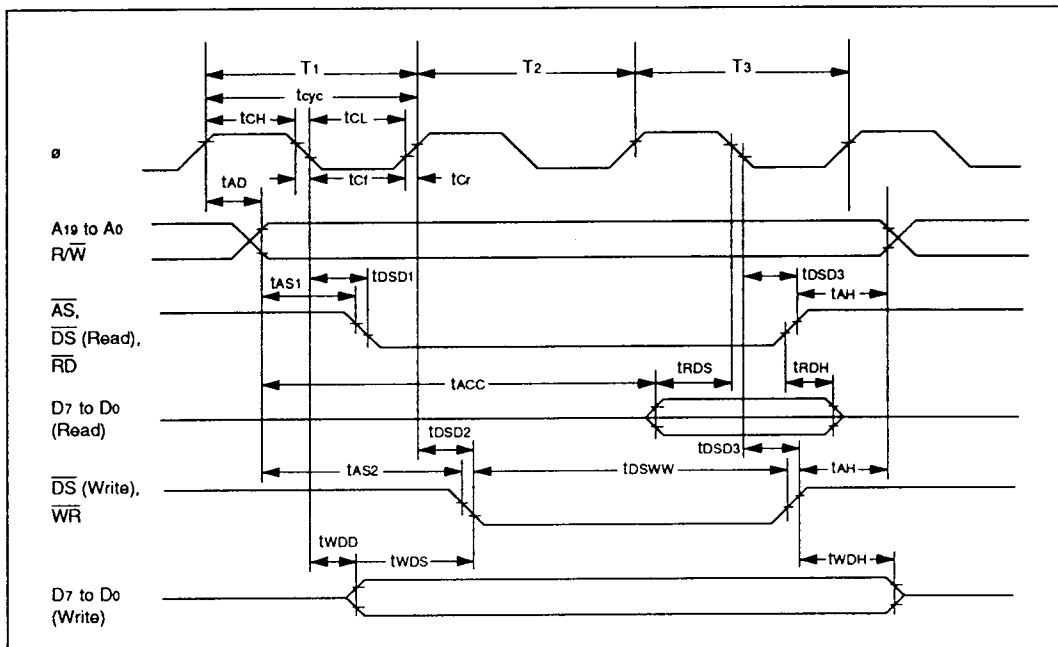


Figure 20-4 Basic Bus Cycle (without Wait States) in Expanded Modes

3. Bus Cycle Synchronized with E Clock

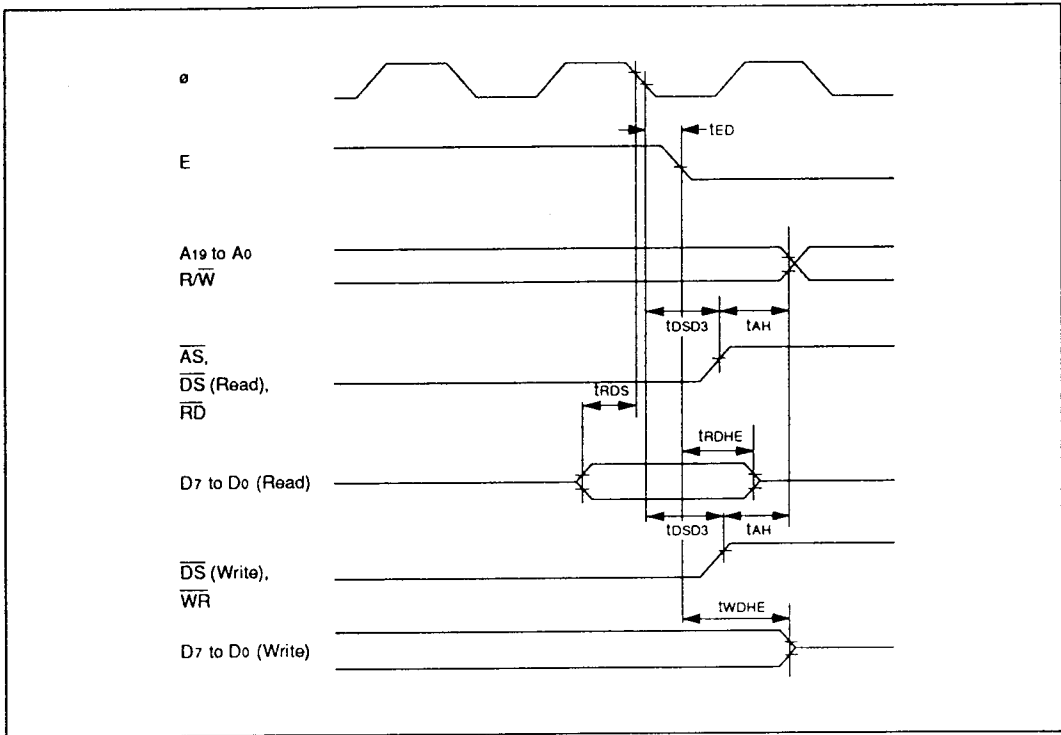


Figure 20-6 Bus Cycle Synchronized with E Clock

20.3.2 Control Signal Timing

1. Reset Input Timing

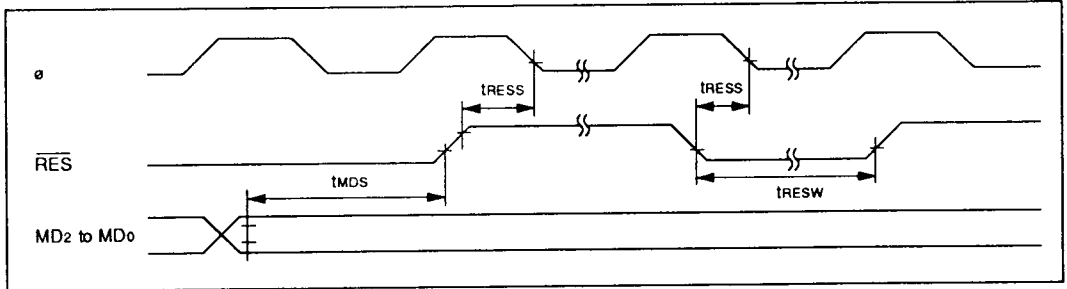


Figure 20-7 Reset Input Timing

2. Interrupt Input Timing

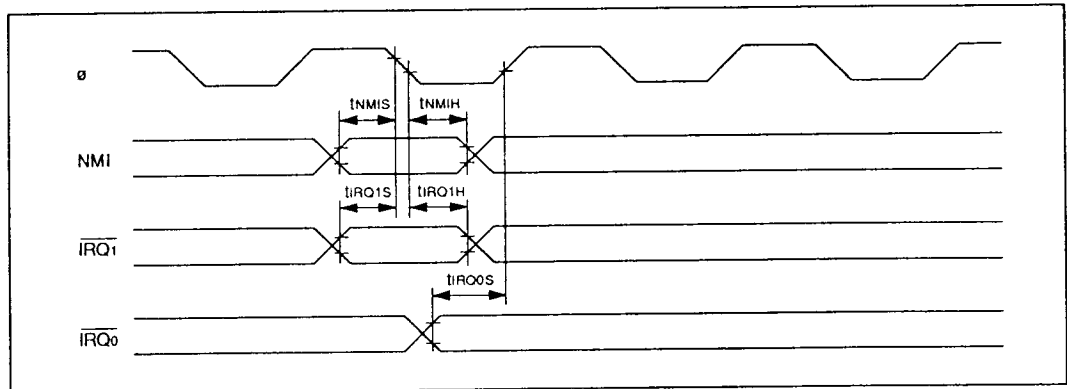


Figure 20-8 Interrupt Input Timing

3. NMI Pulse Width

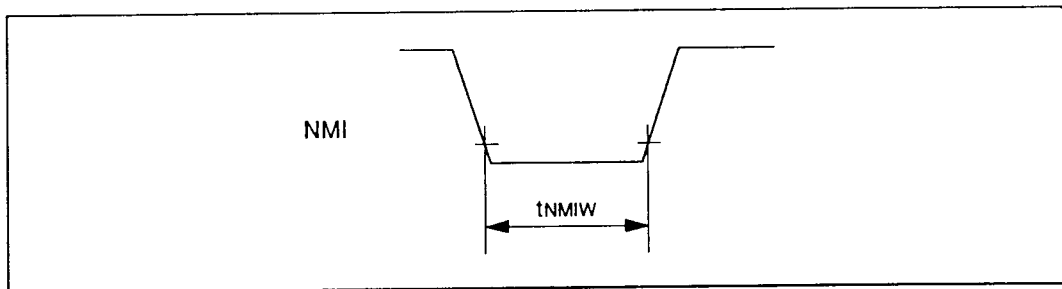


Figure 20-9 NMI Pulse Width (for Recovery from Software Standby Mode)

4. Bus Release State Timing

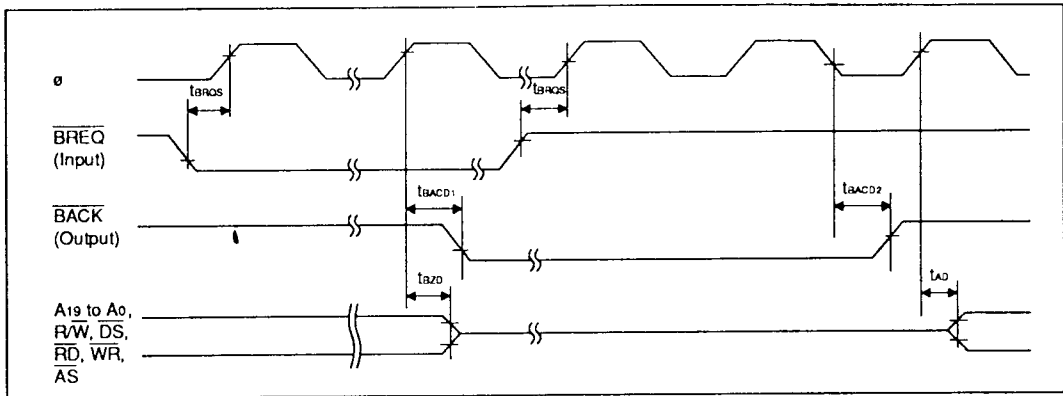


Figure 20-10 Bus Release State Timing

20.3.3 Clock Timing

1. E Clock Timing

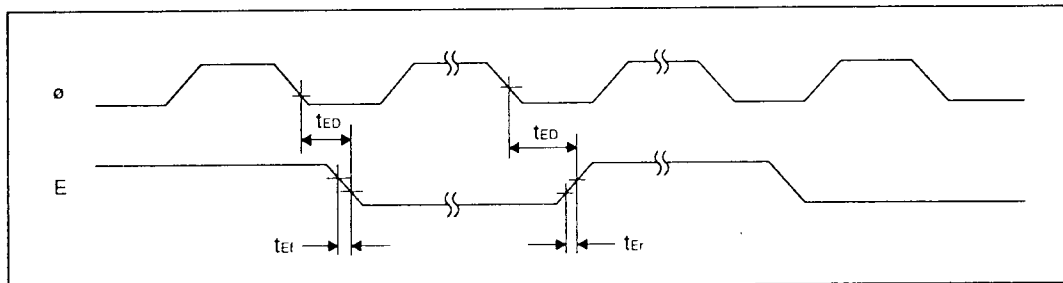


Figure 20-11 E Clock Timing

2. Clock Oscillator Stabilization Timing

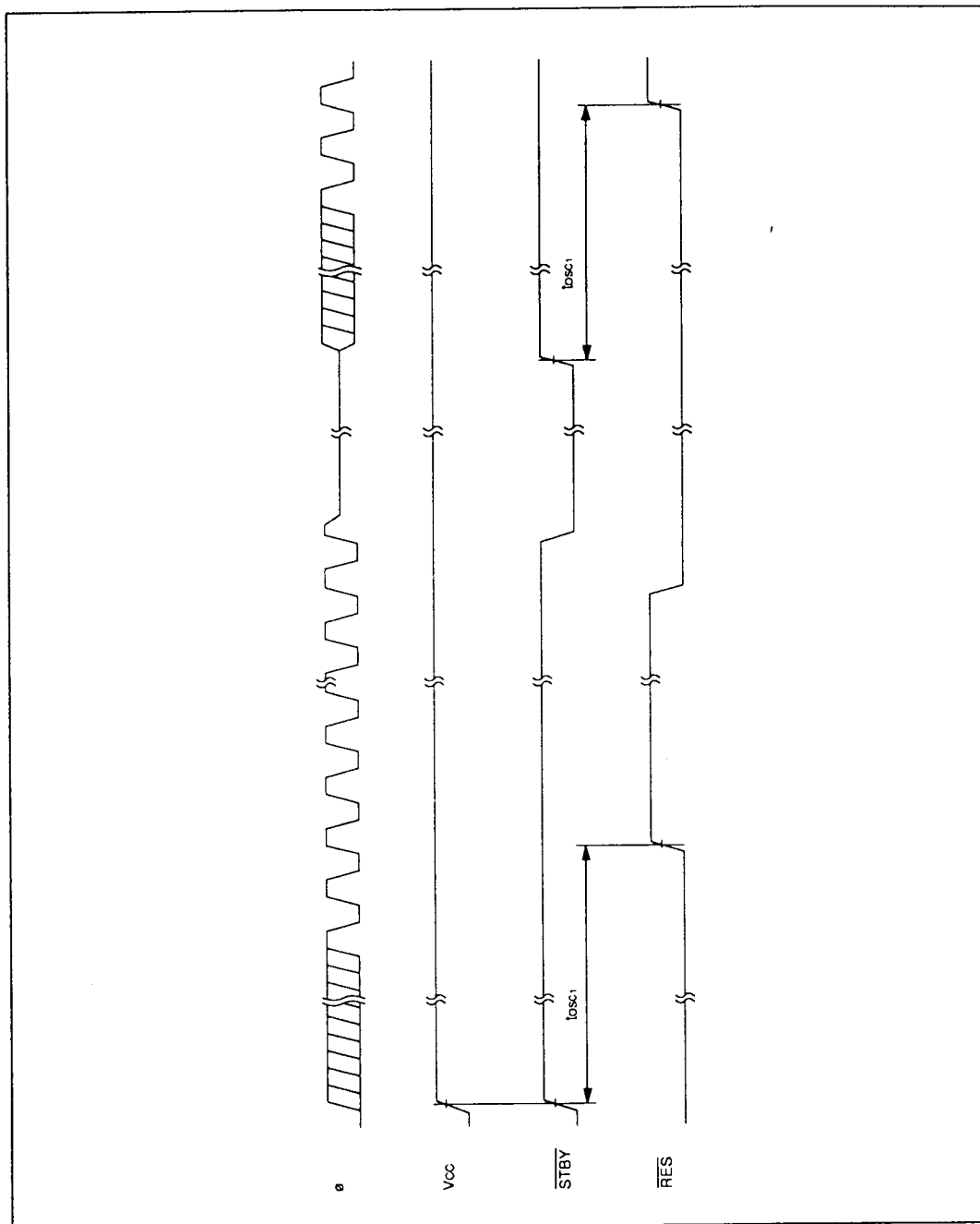


Figure 20-12 Clock Oscillator Stabilization Timing

20.3.4 I/O Port Timing

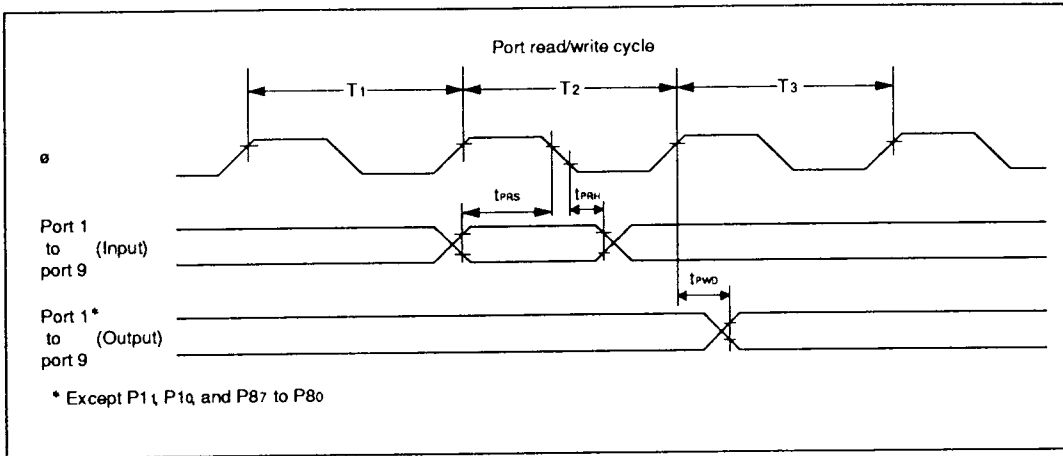


Figure 20-13 I/O Port Input/Output Timing

20.3.5 16-Bit Free-Running Timer Timing

1. Free-Running Timer Input/Output Timing

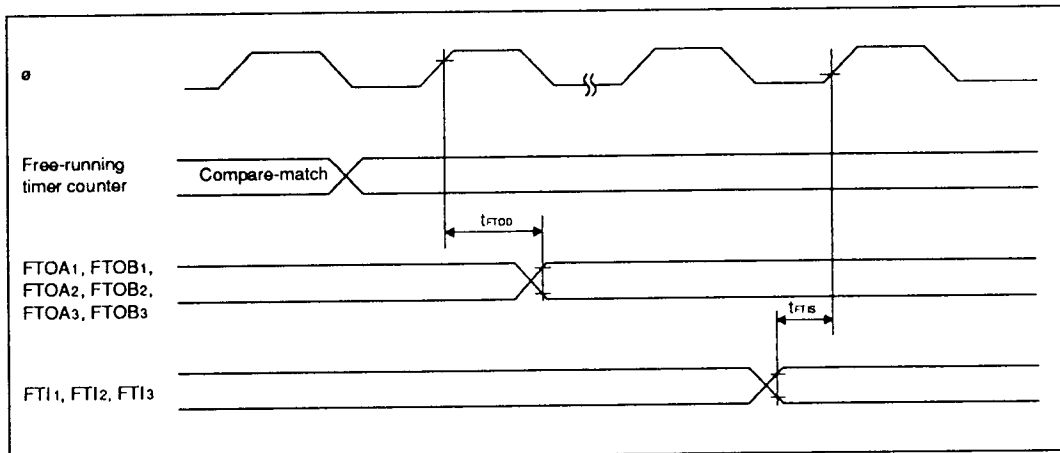


Figure 20-14 Free-Running Timer Input/Output Timing

2. External Clock Input Timing for Free-Running Timers

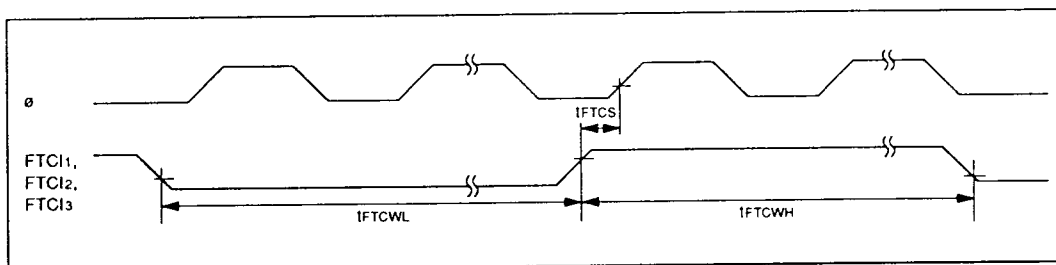


Figure 20-15 External Clock Input Timing for Free-Running Timers

20.3.6 8-Bit Timer Timing

1. 8-Bit Timer Output Timing

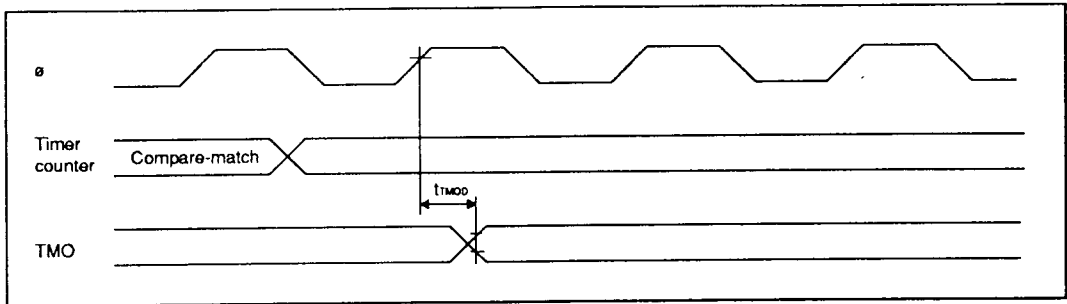


Figure 20-16 8-Bit Timer Output Timing

2. 8-Bit Timer Clock Input Timing

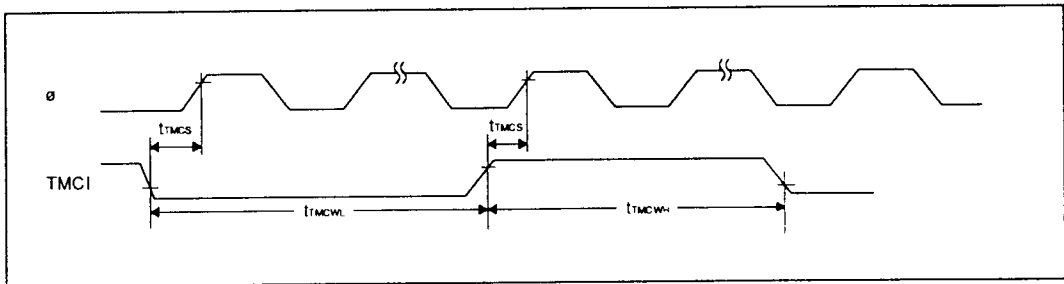


Figure 20-17 8-Bit Timer Clock Input Timing

3. 8-Bit Timer Reset Input Timing

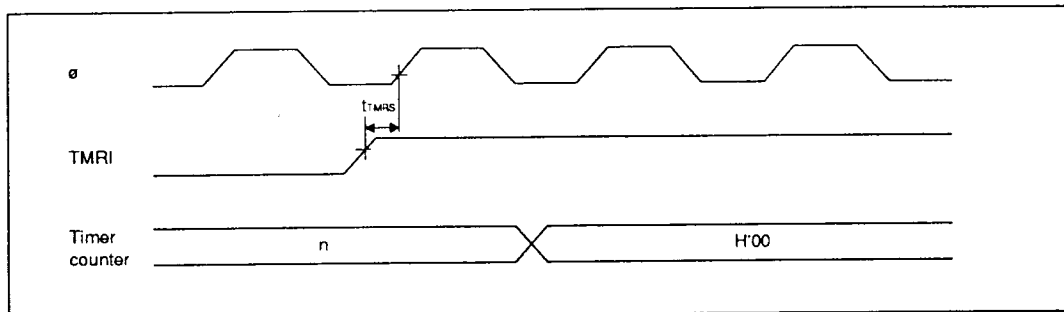


Figure 20-18 8-Bit Timer Reset Input Timing

20.3.7 Pulse Width Modulation Timer Timing

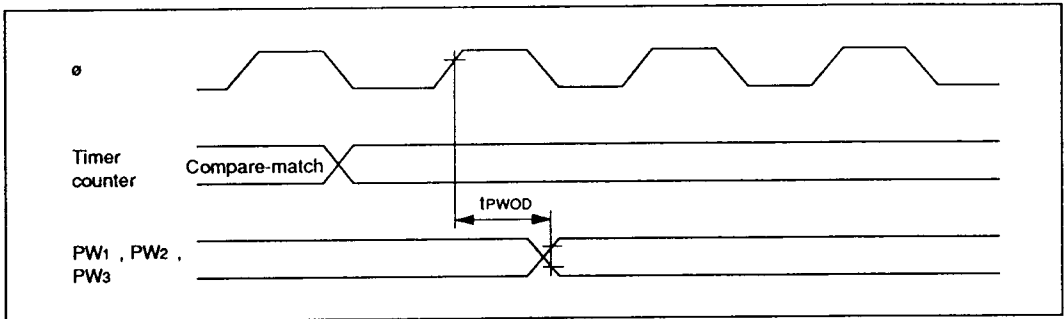


Figure 20-19 PWM Timer Output Timing

20.3.8 Serial Communication Interface Timing

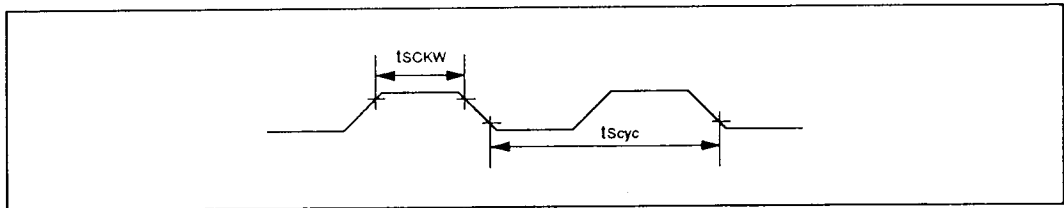


Figure 20-20 SCI Input Clock Timing

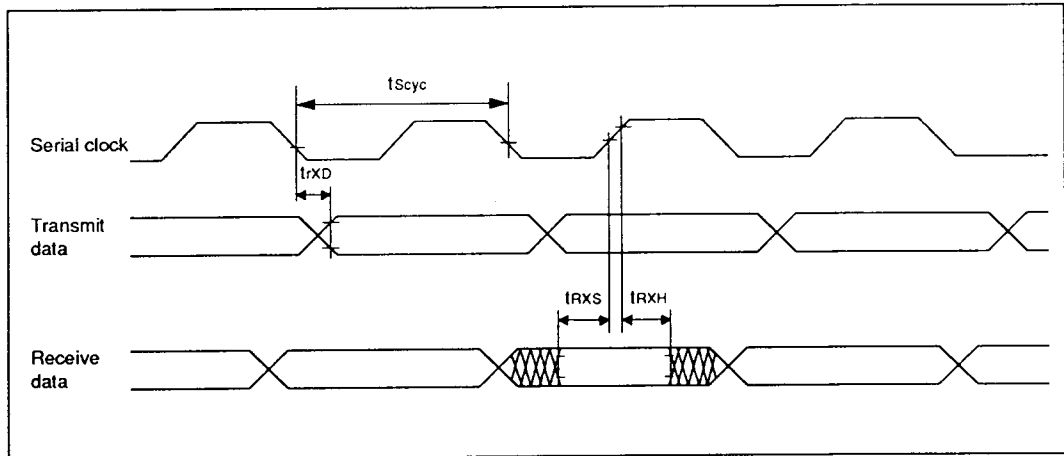


Figure 20-21 SCI Input/Output Timing (Synchronous Mode)