



ADM6926

26 port 10/100 Mbps Ethernet Switch Controller

Version 1.0

[ADMtek.com.tw](http://www.ADMtek.com.tw)

Information in this document is provided in connection with ADMtek products. ADMtek may make changes to specifications and product descriptions at any time, without notice. Designers must not rely on the absence or characteristics of any features or instructions marked “reserved” or “undefined”. ADMtek reserves these for future definition and shall have no responsibility whatsoever for conflicts or incompatibilities arising from future changes to them

The products may contain design defects or errors know as errata, which may cause the product to deviate from published specifications. Current characterized errata are available on request. To obtain latest documentation please contact you local ADMtek sales office or visit ADMtek’s website at

<http://www.ADMtek.com.tw>

*Third-party brands and names are the property of their respective owners.

About this Manual

General Release

Intended Audience

ADMtek's Customers

Structure

This Data sheet contains 5 chapters

Chapter 1 Product Overview

Chapter 2 Interface Description

Chapter 3 Function Description

Chapter 4. Electrical Specification

Chapter 5. Packaging

Revision History

Date	Version	Change
08 Aug 2003	1.0	1. First release of ADM6926

Customer Support

ADMtek Incorporated,
2F, No.2, Li-Hsin Rd.,
Science-based Industrial Park,
Hsinchu, 300, Taiwan, R.O.C.

Sales Information

Tel + 886-3-5788879
Fax + 886-3-5788871

Table of Contents

Chapter 1 Product Overview	1-1
1.1 Overview.....	1-1
1.2 Features.....	1-1
1.3 Block Diagram.....	1-2
1.4 Abbreviations.....	1-3
1.5 Conventions	1-4
1.5.1 Data Lengths.....	1-4
1.5.2 Register Type Descriptions.....	1-4
1.5.3 Pin Type Descriptions.....	1-4
Chapter 2 Interface Description	2-1
2.1 Pin Diagram – ADM6926 (SS-SMII Interface).....	2-1
2.2 Pin Description.....	2-2
2.2.1 SS-SMII Networking Interface, 60 pins	2-2
2.2.2 MII/RMII Interface, 28pins.....	2-3
2.2.3 Power/Ground.....	2-5
2.2.4 Miscellaneous pins, 16 pins	2-5
Chapter 3 Function Description	3-1
3.1.1 Basic Operation	3-1
3.1.2 Address Learning.....	3-1
3.1.3 Address Aging	3-2
3.1.4 Address Recognition and Packet Forwarding	3-3
3.1.5 Trunking Port Forwarding	3-4
3.1.6 Illegal Frames.....	3-4
3.1.7 Back off Algorithm.....	3-4
3.1.8 Buffers and Queues.....	3-4
3.1.9 Half Duplex Flow Control.....	3-5
3.1.10 Full Duplex Flow Control.....	3-5
3.1.11 Inter-Packet Gap (IPG)	3-5
3.1.13 Priority Control	3-6
3.1.14 Alert LED Display.....	3-7
3.1.15 Broadcast Storm Filter	3-7
3.1.16 Collision LED Display.....	3-7
3.1.17 Bandwidth Control.....	3-8
3.1.18 Smart Discard.....	3-8
3.1.19 Security Support.....	3-8
3.1.20 Smart Counter Support.....	3-8
3.1.21 Length 1536 Mode	3-8
3.1.22 PHY Management (MDC/MDIO Interface).....	3-8
3.1.23 Forward Special Packets to the CPU Port.....	3-9
3.1.24 Special TAG	3-10
3.1.25 Port 24 and Port 25 Interface (Only SS-SMII package support).....	3-12
3.1.26 Hardware, EEPROM and SMI Interface for Configuration.....	3-13
3.2 EEPROM Register Format	3-17
3.2.1 Signature (Index: 0h).....	3-20
3.2.2 Global Configuration Register (Index: 1h).....	3-20

3.2.3	<i>Port Configuration Registers (Index: 2h ~ 1bh)</i>	3-21
3.2.4	<i>Miscellaneous Configuration (Index: 1ch)</i>	3-23
3.2.5	<i>VLAN(TOS) Priority Map (Index: 1dh)</i>	3-23
3.2.6	<i>Forwarding Group Outbound Port Map Low</i>	3-24
3.2.7	<i>Forwarding Group Outbound Port Map High</i>	3-25
3.2.8	<i>P0 VID and PVID Shift (Index: 5eh)</i>	3-25
3.2.9	<i>P1~P25 VID Configuration</i>	3-26
3.2.10	<i>P0, P1, P2, P3 Bandwidth Control Register (Index: 78h)</i>	3-26
3.2.11	<i>P4, P5, P6, P7 Bandwidth Control Register (Index: 79h)</i>	3-27
3.2.12	<i>P8, P9, P10, P11 Bandwidth Control Register (Index: 7ah)</i>	3-27
3.2.13	<i>P12, P13, P14, P15 Bandwidth Control Register (Index: 7bh)</i>	3-28
3.2.14	<i>P16, P17, P18, P19 Bandwidth Control Register (Index: 7ch)</i>	3-28
3.2.15	<i>P20, P21, P22, P23 Bandwidth Control Register (Index: 7dh)</i>	3-29
3.2.16	<i>P24, P25 Bandwidth Control Register (Index: 7eh)</i>	3-29
3.2.17	<i>Bandwidth Control Enable Register Low (Index: 7fh)</i>	3-30
3.2.18	<i>Bandwidth Control Enable Register High (Index: 80h)</i>	3-30
3.2.19	<i>Reserved Registers (Index: 81h~8ah)</i>	3-30
3.2.20	<i>Customized PHY Control Group 0 (Index: 8bh)</i>	3-31
3.2.21	<i>Customized PHY Control Group 1 (Index: 8ch)</i>	3-31
3.2.22	<i>Customized PHY Control Group 2 (Index: 8dh)</i>	3-32
3.2.23	<i>Customized PHY Control Group 3 (Index: 8eh)</i>	3-32
3.2.24	<i>Group 0 PHY Customized DATA 0 (Index: 8fh)</i>	3-32
3.2.25	<i>Group 0 PHY Customized DATA 1 (Index: 90h)</i>	3-32
3.2.26	<i>Group 1 PHY Customized DATA 0 (Index: 91h)</i>	3-33
3.2.27	<i>Group 1 PHY Customized DATA 1 (Index: 92h)</i>	3-33
3.2.28	<i>Group 2 PHY Customized DATA 0 (Index: 93h)</i>	3-33
3.2.29	<i>Group 2 PHY Customized DATA 1 (Index: 94h)</i>	3-33
3.2.30	<i>Group 3 PHY Customized DATA 0 (Index: 95h)</i>	3-33
3.2.31	<i>Group 3 PHY Customized DATA 1 (Index: 96h)</i>	3-33
3.2.32	<i>PHY Customized Enable Register (Index: 97h)</i>	3-33
3.2.33	<i>PPPOE Control Register0 (Index: 98h)</i>	3-34
3.2.34	<i>PPPOE Control Register 1 (Index: 99h)</i>	3-34
3.2.35	<i>PHY Control Register 0 (Index: 9ah)</i>	3-35
3.2.36	<i>PHY Control Register 1 (Index: 9bh)</i>	3-35
3.2.37	<i>Disable MDIO Active Register 0 (Index: 9ch)</i>	3-36
3.2.38	<i>Disable MDIO Active Register 1 (Index: 9dh)</i>	3-36
3.2.39	<i>Port Disable Register 0 (Index: 9eh)</i>	3-37
3.2.40	<i>Port Disable Register 1 (Index: 9fh)</i>	3-37
3.2.41	<i>IGMP Snooping Control Register 0 (Index: a0h)</i>	3-37
3.2.42	<i>IGMP Snooping Control Register 1 (Index: a1h)</i>	3-38
3.2.43	<i>CPU Control Register (Index: a2h)</i>	3-38
3.2.44	<i>Special MAC Forward Control Register 0 (Index: a3h)</i>	3-39
3.2.45	<i>Special MAC Forward Control Register 2 (Index: a4h)</i>	3-40
3.2.46	<i>Special MAC Forward Control Register 2 (Index: a5h)</i>	3-40
3.2.47	<i>Trunking Enable Register 0 (Index: a6h)</i>	3-41
3.2.48	<i>Trunking Enable Register 1 (Index: a7h)</i>	3-41

3.3	Switch Register Map.....	3-42
3.3.1	Version ID (Offset: 0h).....	3-42
3.3.2	Link Status (Offset: 1h).....	3-42
3.3.3	Speed Status (Offset: 2h).....	3-43
3.3.4	Duplex Status (Offset: 3h).....	3-44
3.3.5	Flow Control Status (Offset: 4h).....	3-44
3.3.6	Address Table Control and Status Register.....	3-45
3.3.7	PHY Control Register (Offset: bh).....	3-51
3.3.8	Hardware Status (Offset: dh).....	3-51
3.3.9	Receive Packet Count Overflow (Offset: eh).....	3-52
3.3.10	Receive Packet Length Count Overflow (Offset: fh).....	3-53
3.3.11	Transmit Packet Count Overflow (Offset: 10h).....	3-53
3.3.12	Transmit Packet Length Count Overflow (Offset: 11h).....	3-54
3.3.13	Error Count Overflow (Offset: 12h).....	3-54
3.3.14	Collision Count Overflow (Offset: 13h).....	3-55
3.3.15	Renew Counter Register (Offset: 14h).....	3-56
3.3.16	Read Counter Control & Status Register.....	3-57
3.3.17	Reload MDIO Register (Offset: 17h).....	3-57
3.3.18	Spanning Tree Port State 0 (Offset: 18h).....	3-58
3.3.19	Spanning Tree Port State 1 (Offset: 19h).....	3-58
3.3.20	Source Port Register (Offset: 1ah).....	3-59
3.3.21	Transmit Port Register (Offset: 1bh).....	3-59
3.3.22	Counter Register: Offset Hex. 0100h ~ 019b.....	3-59
Chapter 4 Electrical Specification.....		4-1
4.1	DC Characterization.....	4-1
4.1.1	Absolute Maximum Rating.....	4-1
4.1.2	Recommended Operating Conditions.....	4-1
4.1.3	DC Electrical Characteristics for 3.3V Operation.....	4-1
4.2	AC Characterization.....	4-2
4.2.1	XI/OSCI (Crystal/Oscillator) Timing.....	4-2
4.2.1	Power On Reset.....	4-2
4.2.2	EEPROM Interface Timing.....	4-3
4.2.3	10Base-TX MII Output Timing.....	4-3
4.2.4	10Base-TX MII Input Timing.....	4-4
4.2.5	100Base-TX MII Output Timing.....	4-5
4.2.6	100Base-TX MII Input Timing.....	4-5
4.2.7	Reduced MII Timing.....	4-6
4.2.8	SS_SMII Transmit Timing.....	4-7
4.2.9	SS_SMII Receive Timing.....	4-7
4.2.10	Serial Management Interface (MDC/MDIO) Timing.....	4-8
Chapter 5 Packaging.....		5-1

List of Figures

Figure 1-1 ADM6926 Block Diagram	1-2
Figure 2-1 ADM6926 Pin Diagram	2-1
Figure 3-1 The Search Pointer	3-48
Figure 3-2 Address Table Mapping to Output Port MAP	3-50
Figure 4-1 Crystal/Oscillator Timing.....	4-2
Figure 4-2 Power on reset timing.....	4-2
Figure 4-3 EEPROM Interface Timing.....	4-3
Figure 4-4 10Base-TX MII Output Timing	4-3
Figure 4-5 10Base-TX MII Input Timing.....	4-4
Figure 4-6 100Base-TX MII Output Timing	4-5
Figure 4-7 100Base-TX MII Input Timing.....	4-5
Figure 4-8 Reduced MII Timing (1 of 2).....	4-6
Figure 4-9 Reduced MII Timing (2 of 2).....	4-6
Figure 4-10 SS_SMII Transmit Timing.....	4-7
Figure 4-11 SS_SMII Receive Timing.....	4-7
Figure 4-12 Serial Management Interface (MDC/MDIO) Timing.....	4-8

List of Table

Table 4-4-1 Electrical Absolute Maximum Rating.....	4-1
Table 4-4-2 Recommended Operating Conditions	4-1
Table 4-4-3 DC Electrical Characteristics for 3.3V Operation.....	4-1
Table 4-4 Crystal/Oscillator Timing.....	4-2
Table 4-5 Power on reset timing.....	4-3
Table 4-6 EEPROM Interface Timing.....	4-3
Table 4-7 10Base-TX MII Output Timing.....	4-4
Table 4-8 10Base-TX MII Input Timing	4-4
Table 4-9 100Base-TX MII Output Timing.....	4-5
Table 4-10 100Base-TX MII Input Timing	4-6
Table 4-11 Reduced MII Timing	4-6
Table 4-12 SS_SMII Transmit Timing.....	4-7
Table 4-13 SS_SMII Receive Timing.....	4-8
Table 4-14 Serial Management Interface (MDC/MDIO) Timing	4-8

Chapter 1 Product Overview

1.1 Overview

The ADM6926 is a high performance/low cost, twenty six-port 10/100 Mbps Ethernet Switch Controller with all ports supporting 10/100 Mbps full duplex switch function. The ADM6926 is intended for applications to standalone-bridge for the low cost ether-switch market. ADM6926 can be programmed trunking port active. The trunking port can be connected to server or stacking two switch boxes to enhance the performance.

The ADM6926 also supports back-pressure in half duplex mode and 802.3x flow control in full duplex mode. When back-pressure is enabled, and there is no receive buffer available for the incoming packet, the ADM6926 will force a JAM pattern on the receiving port in half duplex mode and transmit the 802.3x packet back to receiving end in full duplex mode.

An intelligent address recognition algorithm makes ADM6926 to recognize up to 4096 different MAC addresses and enables filtering and forwarding at full wire speed.

The ADM6926 has embedded SRAM for the proprietary buffer management. The SRAM is used to store the incoming/outgoing packets. These buffers provide elastic storage for transferring data between low-speed and high-speed segments and buffers are efficiently allocated to improve the efficiency.

1.2 Features

- Support twenty four 10/100M auto-detect Half/Full duplex switch ports with SS-SMII interface and two 10/100M Half/Full duplex port with RMII/MII interface
- Supports up to 4096 MAC addresses table (4-way hashing)
- Support two queue for QOS (1:2 or 1:4 or 1:8 or 1:16)
- Support Port-base, 802.1p and IP TOS priority
- Supports store & forward architecture and Performs forwarding and filtering at non-blocking full wire speed
- Support buffer allocation with 256 bytes each
- Supports aging function and 802.3x flow control for full duplex and back-pressure function for half duplex operation in case buffer is full
- Support packet length up to 1536 bytes
- Support Congestion Flow Control
- Broadcast storm filter and Alert LED
- Port-base VLAN and adjustable VLAN to support up to 32 VLAN group
- serial CPU interface for counter and port status output
- CPU can see-through to access PHY
- flexible port trunking on fault tolerance and load balance
- per port 32bits smart counter for Rx/Tx byte/packet count, error count and collision count

- rate-limit control (64K/128K/256K/512K/1M/4M/10M/20M)
- per port auto learning enable/disable and if disable, forward non-learned packet to CPU
- MAC address table accessible (in each entry, reserve one bit for CPU to enable/disable aging out)
- forward special multicast, BPDU, GMRP, GVRP and IGMP packets to CPU port
- 128 pin QFP package with 3.3V/1.8V power supply

1.3 Block Diagram

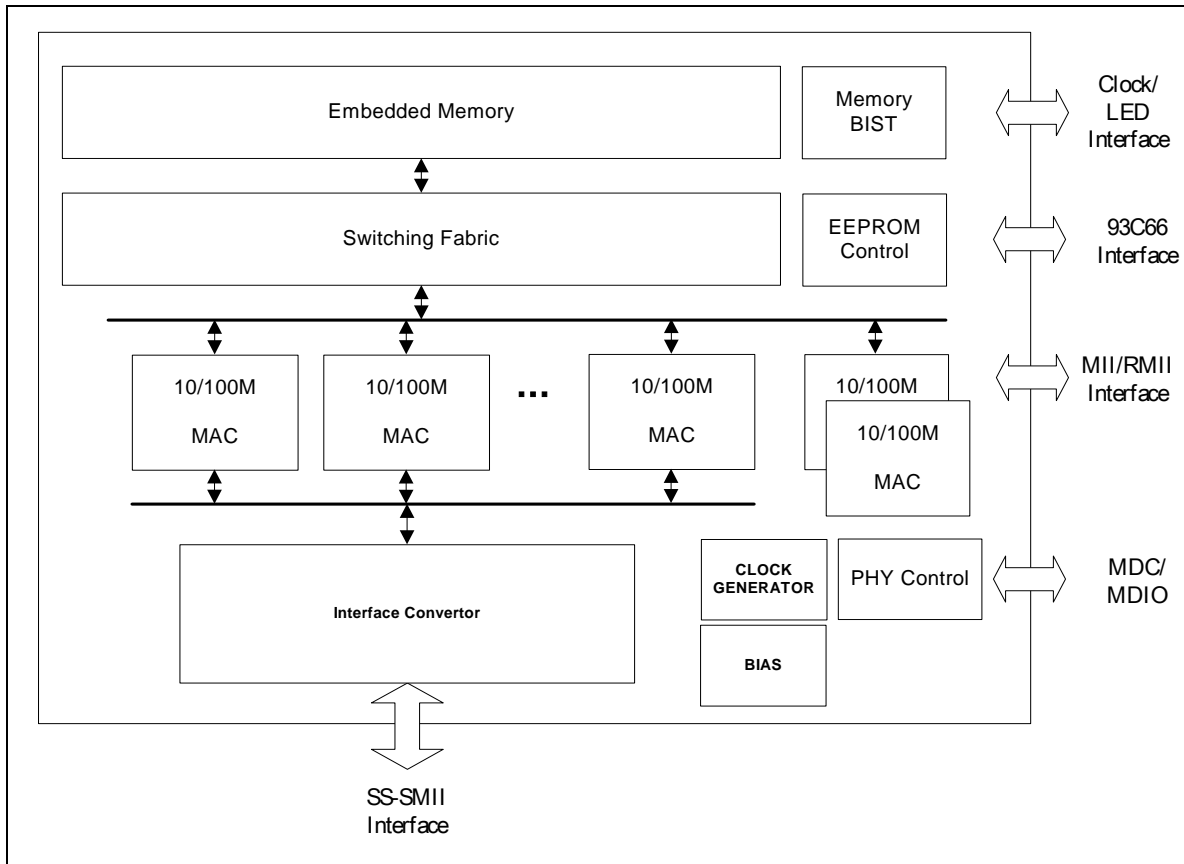


Figure 1-1 ADM6926 Block Diagram

1.4 Abbreviations

BPDU	Bridge Protocol Data Unit
CRC	Cyclic Redundancy Check
CRSDV	Carrier Sense and Data Valid
DA	Destination Address
DUPCOL	Duplex and Collision
EDI	EEPROM Data Input
EDO	EEPROM Data Output
EECS	EEPROM Chip Select
EESK	EEPROM Serial Clock
ESD	End of Stream Delimiter
FCS	Frame Check Sequence
FET	Field Effect Transistor
GARP	Generic Attribute Registration Protocol
GMRP	GARP Multicast Registration Protocol
GVRP	GARP VLAN Registration Protocol
IGMP	Internet Group Management Protocol
IPG	Inter-Packet Gap
MAC	Media Access Controller
MDC	Management Data Clock
MDIO	Management Data Input/Output
MII	Media Independent Interface
PHY	Physical Layer
PLL	Phase Lock Loop
PPPoE	Point to Point Protocol over Ethernet
PVID	Port VLAN ID
QFP	Quad Flat Pack
QOS	Quality of Service
RMII	Reduced Media Independent Interface
SA	Source Address
SS-SMII	Source Synchronous Serial MII
TA	Turn Around
TOS	Type of Service
TTL	Transistor Transistor Logic
UNIQUE	Universal Queue management
VID	VLAN ID
VIH	Voltage Input High
VIL	Voltage Input Low
VLAN	Virtual LAN

1.5 Conventions

1.5.1 Data Lengths

qword	64-bits
dword	32-bits
word	16-bits
byte	8 bits
nibble	4 bits

1.5.2 Register Type Descriptions

<i>Register Type</i>	<i>Description</i>
RO	Read Only
R/W	Read and Write capable
SC	Self-clearing
LL	Latching low, unlatch on read
LH	Latching high, unlatch on read
COR	Clear On Read

1.5.3 Pin Type Descriptions

<i>Pin Type</i>	<i>Description</i>
I:	Input
O:	Output
I/O:	Bi-directional
OD:	Open drain
SCHE:	Schmitt Trigger
PU:	Pull Up
PD:	Pull Down

2.2 Pin Description

ADM6926 pins are categorized into one of the following groups:

- Section 2.2.1 SS-SMII Networking Interface, 60 pins
- Section 2.2.2 MII/RMII Interface, 28pins
- Section 2.2.3 Power/Ground
- Section 2.2.4 Miscellaneous pins, 16 pins

2.2.1 SS-SMII Networking Interface, 60 pins

Name	Type	Pin #	Description
SRXD0[0:7]	I, TTL	106,108, 112,116, 120,124, 126,2	Port 0 to Port 7 SS-SMII Receive Data bit. The receive data should be synchronous to the rising edge of CLK_RX0.
SYNC_RX0	I, TTL	115	Port 0 to Port 7 SS-SMII Synchronous signal. This signal is synchronous to the rising edge of CLK_RX0. Active high indicates the byte boundary.
CLK_RX0	I, TTL	119	Reference Receive Clock for Port 0 to Port 7. This signal is 125MHz input for SS-SMII interface.
STXD0[0:7]	O, TTL 8mA	104,107, 109,114, 118,123, 125,127	Port 0 to Port 7 SS-SMII Transmit Data bit. The transmit data is synchronous to the rising edge of CLK_TX0.
SYNC_TX0	O, TTL 8mA	113	Port 0 to Port 7 SS-SMII Synchronous signal. This signal is synchronous to the rising edge of CLK_TX0. Active high indicates the byte boundary.
CLK_TX0	O, TTL 16mA	117	Reference Transmit Clock for Port 0 to Port 7. This signal is 125MHz output for SS-SMII interface.
SRXD1[0:7]	I, TTL	4,8,10,26, 32,36,38, 40	Port 8 to Port 15 SS-SMII Receive Data bit. The receive data should be synchronous to the rising edge of CLK_RX1.
SYNC_RX1	I, TTL	25	Port 8 to Port 15 SS-SMII Synchronous signal. This signal is synchronous to the rising edge of CLK_RX1. Active high indicates the byte boundary.
CLK_RX1	I, TTL	31	Reference Receive Clock for Port 8 to Port 15. This signal is 125MHz input for SS-SMII interface.
STXD1[0:7]	O, TTL 8mA	3,6,9,18, 30,33,37, 39	Port 8 to Port 15 SS-SMII Transmit Data bit. The transmit data is synchronous to the rising edge of CLK_TX1.
SYNC_TX1	O, TTL 8mA	17	Port 8 to Port 15 SS-SMII Synchronous signal. This signal is synchronous to the rising edge of CLK_TX1. Active high indicates the byte boundary.
CLK_TX1	O, TTL	27	Reference Transmit Clock for Port 8 to Port 15. This

Name	Type	Pin #	Description
	16mA		signal is 125MHz output for SS-SMII interface.
SRXD2[0:7]	I, TTL	42,44,46, 54,58,61, 63,65	Port 16 to Port 23 SS-SMII Receive Data bit. The receive data should be synchronous to the rising edge of CLK_RX2.
SYNC_RX2	I, TTL	53	Port 16 to Port 23 SS-SMII Synchronous signal. This signal is synchronous to the rising edge of CLK_RX2. Active high indicates the byte boundary.
CLK_RX2	I, TTL	57	Reference Receive Clock for Port 16 to Port 23. This signal is 125MHz input for SS-SMII interface.
STXD2[0:7]	O, TTL 8mA	41,43,45, 48,56,60, 62,64	Port 16 to Port 23 SS-SMII Transmit Data bit. The transmit data is synchronous to the rising edge of CLK_TX2.
SYNC_TX2	O, TTL 8mA	47	Port 16 to Port 23 SS-SMII Synchronous signal. This signal is synchronous to the rising edge of CLK_TX2. Active high indicates the byte boundary.
CLK_TX2	O, TTL 16mA	55	Reference Transmit Clock for Port 16 to Port 23. This signal is 125MHz output for SS-SMII interface.

2.2.2 MII/RMII Interface, 28pins

Name	Type	Pin #	Description
M0CRS	I, TTL PD	68	MII Port0 Carrier Sense This pin is internal pull_down.
M0COL	I, TTL PD	69	MII Port0 Collision input This pin is internal pull_down.
M0TXD [0:3]	I/O, TTL 8mA PD	73,72,71, 70	MII Port 0 Transmit Data Bit[0:3]. Synchronous to the rising edge of M0TXCLK. RMII Port 0 Transmit Data Bit[0:1]. Synchronous to the rising edge of M0RXCLK. RMII MODE[1] : Value on M0TXD[3] will be latched at the rising edge of RESETL to configure port 25 as RMII mode. RMII MODE[0] : Value on M0TXD[2] will be latched at the rising edge of RESETL to configure port 24 as RMII mode.
M0TXEN	I/O, TTL 8mA PD	74	MII/RMII Port 0 Transmit Enable. AGDIS. Value on this pin will be latched at the rising edge of RESETL to set aging disable.
M0TXCLK	I, TTL PD	75	MII Port 0 Transmit clock Input. This pin is 25MHz input for MII interface.
M0RXCLK	I, TTL PD	76	MII/RMII Port 0 Receive Clock Input. This pin is 25MHz input for MII interface and 50MHz REFCLK input for RMII interface.

Name	Type	Pin #	Description
M0RXDV	I, TTL PD	77	MII Port 0 Receive Data Valid. RMII Port 0 Carrier Sense/Receive Data Valid. This pin is internal pull_down.
M0RXD [0:3]	I, TTL PD	80,81,82, 83	MII Port 0 Receive Data Bit[0:3]. RMII Port 0 Receive Data Bit[0:1]. If in RMII mode, M0RXD[3] used for ext_dup_enable and M0RXD[2] used for ext_dup_full. Internal pull_down. See Sec3.1.27 for details.
M1CRS	I, TTL PD	84	MII Port 1 Carrier Sense This pin is internal pull_down.
M1COL	I, TTL PD	85	MII Port 1 Collision input This pin is internal pull_down.
M1TXD [0:3]	I/O, TTL 8mA	89,88,87, 86	MII Port 1 Transmit Data Bit[0:3]. Synchronous to the rising edge of M1TXCLK. RMII Port 1 Transmit Data Bit[0:1]. Synchronous to the rising edge of M1RXCLK. BPEN. Value on M1TXD[3] will be latched at the rising edge of RESETL to set Back_pressure enable. Internal pull_up. FCEN. Value on M1TXD[2] will be latched at the rising edge of RESETL to set flow control enable. Internal pull_up. TNKEN. Value on M1TXD[1] will be latched at the rising edge of RESETL to set trunking enable. Internal pull_up. IPGLVING. Value on M1TXD[0] will be latched at the rising edge of RESETL to set shorter IPG. Internal pull_down.
M1TXEN	O, TTL 8mA PU	92	MII Port 1 Transmit Enable. ANEN. Value on this pin will be latched at the rising edge of RESETL to set auto_negotiation enable. Internal pull_up.
M1TXCLK	I, TTL PD	93	MII Port1 Transmit clock Input. This signal is 25MHz input for MII interface.
M1RXCLK	I, TTL PD	94	MII Receive Clock Input. This signal is 25MHz input for MII interface and 50MHz REFCLK input for RMII interface.
M1RXDV	I, TTL PD	95	MII/RMII Port 1 Receive Data Valid. This pin is internal pull_down.
M1RXD [0:3]	I, TTL PD	96,97,98, 99	MII Port 1 Receive Data Bit[0:3]. RMII Port 1 Receive Data Bit[0:1]. If in RMII mode, M1RXD[3] used for ext_dup_enable and M1RXD[2] used for ext_dup_full. Internal pull_down. See Sec3.1.27 for details.

2.2.3 Power/Ground

Pin Name	Pin Type	Pin #	Pin Description
GNDRG	Analog Ground	12	Ground for Regulator
VCCRG	Analog Power	11	3.3V Power supply for Regulator
GNDPLL	Analog Ground	16	Ground for PLL
VCCPLL	Analog Power	15	1.8V Power supply PLL
GNDIK	Digital Ground	35,50,67,91,122	Ground for Core Logic
VCCIK	Digital Power	34,49,66,90,121	1.8V Power supply for Core Logic
GNDO	Digital Ground	1,29,52,79,111	Ground for I/O PAD
VCC3O	Digital Power	28,51,78,110,128	3.3V Power supply for I/O PAD

2.2.4 Miscellaneous pins, 16 pins

Pin Name	Pin Type	Pin #	Pin Description
CK25MO	O, TTL 16mA	7	25MHz clock Output. This pin will drive out 25Mhz.
CK50MO/ COL_LED_ 10M	O, TTL 16mA	5	50MHz clock Output. This pin will drive out 50MHz. COL_LED_10M. This pin shows collision LED for 10M domain (see EEPROM Register 1ch, Bit[9])
XI	I, Analog	22	Crystal or OSC 50MHz Input. This is the clock source of PLL. The PLL will generate 125Mhz for SS-SMII and 50MHz for RMII and 25Mhz for MII.
XO	O, Analog	23	Crystal 50Mhz Output.
RESETL	I, TTL SCHE	59	Reset Signal. An active low signal with minimum 100ms duration is required.
ALERT/ COL_LED_ 100M	O, TTL 8mA	103	Alert LED Display. This pin will show the status of power-on-diagnostic and broadcast traffic. COL_LED_100M. This pin shows collision LED for 100M domain (see EEPROM Register 1ch, Bit[9])
TEST[2:1]	I, TTL PD	21,24	Industrial Test pins. These pins are internal pull_down.
MDC	O, TTL 16mA	19	Management Data Clock. This pin output 2.2MHz clock to drive PHY and access corresponding speed and duplex and link status through

Pin Name	Pin Type	Pin #	Pin Description
			MDIO.
MDIO	I/O, TTL 8mA PU	20	Management Data. This pin is in-out to PHY. When RESETL is low, this pin will be tri-state. This pin is internal pull_up.
EESK	I/O, TTL 4mA PU	100	EEPROM Serial Clock. This pin is clock source for EEPROM. When RESETL is low, it will be tri-state. This pin is internal pull-up.
EECS	I/O, TTL 4mA PD	105	EEPROM Chip Select. This pin is chip enable for EEPROM. When RESETL is low, it will be tri-state. This pin is internal pull-down.
EDI	I/O, TTL 4mA PU	101	EEPROM Serial Data Input. This pin is output for serial data transfer. When RESETL is low, it will be tri-state. This pin is internal pull-up.
EDO	I, TTL PU	102	EEPROM Serial Data Output. This pin is input for serial data transfer. This pin is internal pull-up.
CONTROL	O, Analog	14	FET Control Signal. The pin is used to control FET for 3.3V to 1.8V regulator.
VREF	I, Analog	13	Regulator Control Input Signal.

Chapter 3 Function Description

3.1 Introduction

The ADM6926 uses a “store & forward” switching approach for the following reasons:

- 1) Store & forward switches allow switching between different speed media (e.g. 10BaseX and 100BaseX). Such switches require the large elastic buffers, especially bridging between a server on a 100Mbps network and clients on a 10Mbps segment.
- 2) Store & forward switches improve overall network performance by acting as a “network cache”
- 3) Store & forward switches prevent the forwarding of corrupted packets by the frame check sequence (FCS) before forwarding to the destination port.

3.1.1 Basic Operation

The ADM6926 receives incoming packets from one of its ports, uses the source address (SA) and VID to update the address table, and then forwards the packet to the output ports determined by the destination address (DA) and VID.

If the DA and VID are not found in the address table, the ADM6926 treats the packet as a broadcast packet and forwards the packet to the other ports within the same group.

The ADM6926 automatically learns the port number of attached network devices by examining the SA and VID of all incoming packets. If the SA and VID are not found in the address table, the device adds it to the table.

3.1.2 Address Learning

The ADM6926 provides two ways to create the entry in the address table: dynamic learning and manual learning. A four-way hash algorithm is implemented to allow 4 different addresses to be stored at the same location. Up to 4k entries can be created and all entries are stored in the internal SSRAM. Two parameters, SA and VID, are combined to generate the 10-bit hash key to allow that the same addresses with different port number can exist in the table at the same time.

1. Dynamic Learning

The ADM6926 searches for SA and VID of an incoming packet in the address table and acts as follows:

If the SA+VID was not found in the address table (a new address), the ADM6926 waits until the end of the packet (non-error packet) and updates the address table. If the

SA+VID was found in the address table, then aging value of each corresponding entry will be reset to 0.

Dynamic learning will be disabled in the following condition:

- (1) Security violation happened.
- (2) The packet is a PAUSE frame.
- (3) The first bit of SA is 1'b1.
- (4) The packet is an error packet (too long, too short or FCS error).
- (5) The CPU port leaning function is disabled or enabled but the CPU port instructs the switch not to learn the packet.
- (6) The port is in the Disabled or Blocking-not-Listening state in the Spanning Tree Protocol.

2. Manual Learning

The ADM6926 implements the manual learning through the CPU's help. The CPU can create or remove any entry in the address table. Each entry could be static or pointed to the output port map table. "Static" means the entry will not be aged forever. It is useful in the security function (forward unknown packets to the CPU port or discard) or monitor function (forward monitored address to the specific port). Output port map table is also helpful in the IGMP function (if the number of the output port is more than one) or the users want to redirect the special packets with reserved DA.

3.1.3 Address Aging

The ADM6926 will periodically (300ms) remove the non-static address in the address table. This could help to prevent a station leaves the network and occupies a table space for a long time. Aging function can be disabled from the hardware pin.

3.1.4 Address Recognition and Packet Forwarding

The ADM6926 forwards the incoming packets between bridge ports according to the DA and VID as follows:

DA	DA+VID was found in the address table (entry not pointed to the output port map table)	DA+VID was found in the address table (entry pointed to the output port map table)	DA+VID was not found in the address table
Unicast Address	No Security Violation		
	Forward packets to the port determined by the address table. The packet may be dropped because of forwarding group boundary violation.	Forward packets to the ports determined by the output port map table constrained by the forwarding group.	Forward packets to the other ports within the same forwarding group.
	Security Violation		
	Drop or forward to CPU	Drop or forward to CPU	Drop or forward to CPU
Broadcast Address (All 1'b1)	No Security Violation		
	Forwarding packets to the other ports within the same forwarding group.	Forward packets to the ports determined by the output port map table constrained by the forwarding group.	Forward packets to the other ports within the same forwarding group.
	Security Violation		
	Drop or forward to CPU	Drop or forward to CPU	Drop or forward to CPU
Reserved Address (01-80-c2-00-00-xx, with the option to forward normally)	No Security Violation		
	Forwarding packets to the other ports within the same forwarding group.	Forward packets to the ports determined by the output port map table constrained by the forwarding group.	Forward packets to the other ports within the same forwarding group.
	Security Violation		
	Same as the above	Same as the above	Same as the above
Reserved Address (01-80-c2-00-00-xx, with the option to forward to CPU)	No Security Violation		
	Forward the packet to the CPU port.	Forward the packet to the CPU port.	Forward the packet to the CPU port.
	Security Violation		
	Same as the above	Same as the above	Same as the above
Reserved Address (01-80-c2-00-00-xx, with the option to discard)	No Security Violation		
	Discard the packet.	Discard the packet.	Discard the packet.
	Security Violation		
	Same as the above	Same as the above	Same as the above
IGMP Packet (Port Enable IGMP)	No Security Violation		
	Forward the packet to the CPU port.	Forward the packet to the CPU port.	Forward the packet to the CPU port.
	Security Violation		
	Drop or forward to CPU	Drop or forward to CPU	Drop or forward to CPU

DA	DA+VID was found in the address table (entry not pointed to the output port map table)	DA+VID was found in the address table (entry pointed to the output port map table)	DA+VID was not found in the address table
IGMP Packet (Port Disable IGMP)	No Security Violation		
	Forward packets to the port determined by the address table. The packet may be dropped because of forwarding group boundary violation.	Forward packets to the ports determined by the output port map table constrained by the forwarding group.	Forward packets according the Multicast Option.
	Security Violation		
	Drop or forward to CPU	Drop or forward to CPU	Drop or forward to CPU
Others	No Security Violation		
	Forward packets to the port determined by the address table. The packet may be dropped because of forwarding group boundary violation.	Forward packets to the ports determined by the output port map table constrained by the forwarding group.	Forward packets according the Multicast Option.
	Security Violation		
	Drop or forward to CPU	Drop or forward to CPU	Drop or forward to CPU

3.1.5 Trunking Port Forwarding

ADM6926 supports the trunking forwarding and any port could be assigned to the trunking port. When one or more of the members link fail, the ADM6926 will automatically change the transmit path from the failed link port to normal link port. Port based load balancing is implemented to distribute the loading.

3.1.6 Illegal Frames

The ADM6926 will discard all illegal frames such as runt packet (less than 64 bytes), oversize packet (greater than 1518 or 1522 bytes) or bad CRC.

3.1.7 Back off Algorithm

The ADM6926 implements the truncated exponential back off algorithm compliant to the 802.3 standard. ADM6926 will restart the back off algorithm by choosing 0-9 collision count. After 16 consecutive retransmit trials, the ADM6926 resets the collision counter.

3.1.8 Buffers and Queues

The ADM6926 incorporates 26 transmit queues and receive buffer area for the 26 Ethernet ports. The receive buffers as well as the transmit queues are located within the ADM6926 along with the switch fabric. The buffers are divided into 640 blocks of 256

bytes each. The queues of each port are managed according to each port's read/write pointer.

Input buffers and output queues are maintained through proprietary patent pending UNIQUE (Universal Queue management) scheme.

3.1.9 Half Duplex Flow Control

Back-pressure is supported for half-duplex operation.

When the ADM6926 cannot allocate a receive buffer for an incoming packet (buffer full), the device will transmit a jam pattern on the port, thus forcing a collision.

3.1.10 Full Duplex Flow Control

When full duplex port runs out of its receive buffer, a PAUSE command will be issued by ADM6926 to notice the packet sender to pause transmission. This frame based flow control is totally compliant to IEEE 802.3x. When flow control hardware pin is set to high during power on reset and per port PAUSE is enabled, ADM6926 will output and accept 802.3x flow control packet.

3.1.11 Inter-Packet Gap (IPG)

IPG is the idle time between any two successive packets from the same port. The value is 9.6us for 10Mbps ETHERNET and 960ns for 100Mbps fast Ethernet.

3.1.12 Port VLAN or Tag VLAN Support

Two VLAN settings are supported by the ADM6926: the port-based VLAN or the tag-based VLAN. For the port-based VLAN the ADM6926 will use the port number as the index to lookup the forwarding table. For the tag-based VLAN, the ADM6926 will use the VID to lookup the forwarding table. Each port is assigned a Port VID as the Default VID if tag-based VLAN is used. The ADM6926 will check TAG, remove TAG, insert TAG, and re-calculate CRC if packet is changed:

(1) Packets received are untagged

Force no tag	Bypass	Output port is tagged or not	Action
Don't Care	No	No	Untag as the original.
	Yes	No	Untag as the original
	No	Yes	Add Tag.
	Yes	Yes	Untag as the original

(2) Packets received are tagged

Force no tag	Bypass	Output port is tagged or not	Action
No	No	No	The Tag is removed.
Yes	No	No	Tag as the original. The priority in the TAG header is not checked and VID will not change even if VID is 0 or 1.
No	Yes	No	Tag as the original. The priority in the TAG header is checked and if the VID is 0 or 1, it may change to PVID (see EEPROM register 1ch, Bit[3])
No	No	Yes	Tag as the original. The priority in the TAG header is checked and if the VID is 0 or 1, it may change to PVID (see EEPROM register 1ch, Bit[3])
No	Yes	Yes	Tag as the original. The priority in the TAG header is checked and if the VID is 0 or 1, it may change to PVID (see EEPROM register 1ch, Bit[3])
Yes	Yes	No	Tag as the original. The priority in the TAG header is not checked. The VID will not change.
Yes	No	Yes	The Tag will be added and packet will be double tagged output. The VID will not change.
Yes	Yes	Yes	Tag as the original. The priority in the TAG header is not checked. The VID will not change.

3.1.13 Priority Control

The ADM6926 provides two priority queues on each output port. Five ways could be used to assign a priority to a packet.

- (1) The priority assigned to each receiving port.
- (2) The priority field in the 802.1Q Tag Header.
- (3) The IPv4 TOS field in the IPv4 Header.
- (4) Priority assigned by the CPU.
- (5) Management packet (high priority assigned).

3.1.14 Alert LED Display

Two functions are displayed through the Alert LED.

1. Diagnostic mode after power on.

- a) After reset or power up, LED keeps on at least 3 second, and processes internal SSRAM self-test.
- b) If test passes, the ADM6926 turns off LED and goes to the broadcast storm mode.
- c) If SSRAM test fails, the ADM6926 turns off LED, then keeps on.

2. Broadcast storm mode after SSRAM self-test. Packets with DA = 48'hffffffff will be counted into the storm counter.

Two thresholds (rising and falling) are used to control the broadcast storm.

- a) Time Scale: 50ms is used. The max packet number in 100BaseT is 7490. The max packet number in 10BaseT is 749.

b) Port Rising Threshold.

Broadcast Storm Threshold.	00	01	10	11
All 100TX	Disable	10%	20%	40%
Not All 100TX	Disable	1%	2%	4%

c) Port Falling Threshold

Broadcast Storm Threshold.	00	01	10	11
All 100TX	Disable	5%	10%	20%
Not All 100TX	Disable	0.5%	1%	2%

3.1.15 Broadcast Storm Filter

If broadcast storming filter is enabled, the broadcast packets (DA = 48'hffff-ffff-ffff) over the rising threshold within 50 ms will be discarded when the alert LED is turned on.

3.1.16 Collision LED Display

Two collision LEDs are supported. (see EEPROM Register 1ch, Bit[9])

- 1) 100M Collision LED. If collision happens in one of the ports configured 100M, the 100M Collision LED will flash in rate of 2Hz.
- 2) 10M Collision LED. If collision happens in one of the ports configured 10M, the 10M Collision LED will flash in rate of 2Hz.

3.1.17 Bandwidth Control

The ADM6926 allows the user to limit the bandwidth for each input or output port. 64k, 128K, 256k, 512K, 1M, 4M, 10M and 20M are supported.

3.1.18 Smart Discard

The ADM6926 supports a smart mechanism to discard packets early according to their priority to prevent the resource blocked by the low priority. The discard ratio is as follows:

Discard Mode Utilization	00	01	10	11
00	0%	0%	0%	0%
01	0%	0%	25%	50%
11	0%	25%	50%	75%

3.1.19 Security Support

4 level security schemes are supported by the ADM6926. All the security violation address will not be automatically learned.

The violated packet could be forwarded to the CPU port for management or discarded. When CPU is not present, ADM6926 also provides a simple way to lock the first address to prevent illegal address access.

3.1.20 Smart Counter Support

Six counters per port are supported by the ADM6926.

- 1) Receive Packet Count.
- 2) Receive Packet Length Count.
- 3) Transmit Packet Count.
- 4) Transmit Packet Length Count.
- 5) The Error Count
- 6) The Collision Count.

3.1.21 Length 1536 Mode

The ADM6926 provides a function to enable the port to receive packets up to 1536 Byte.

3.1.22 PHY Management (MDC/MDIO Interface)

The ADM6926 uses the MDC/MDIO interface to set the PHY status. After the reset or power up, the MDC/MDIO controller will delay about 130ms to wait for the PHY to ready. The ADM6926 supports two ways to configure the PHY setting.

- 1) PHY master. The switch only reads the PHY status (speed, duplex, link, and pause). This mode is useful when users want to configure PHY through the CPU help. The ADM6926 supports an indirect way (a PHY Control Register) for CPU to access PHYs.
- 2) PHY slave. The switch uses the EEPROM setting to control the PHY attached (only speed, duplex, link, and pause are supported). After the port setting changed, the ADM6926 will use the new setting to program the PHY again and update the status. 8 commands are provided in this mode to allow the customer to customize the PHY setting.

Note:

The PHY address attached to port 0 is 5'h8, the PHY address attached to port 1 is 5'h9,..., the PHY address attached to port 23 is 5'h1f, the PHY address attached to port 24 is 5'h7 and the PHY address attached to port 25 is 5'h8.

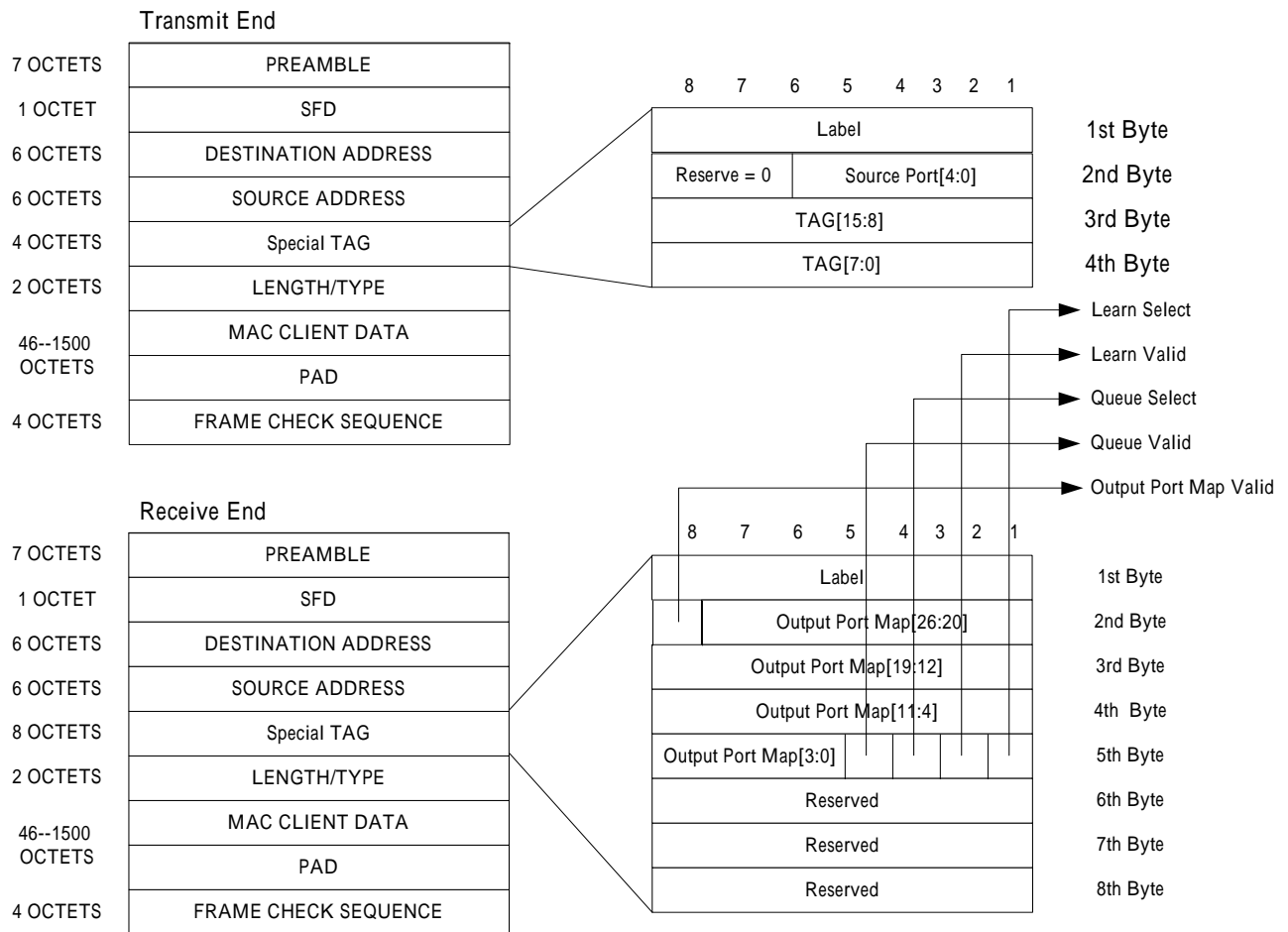
3.1.23 Forward Special Packets to the CPU Port**(IGMP and Spanning Tree Support)**

ADM6926 will forward the special packets to the CPU port to provide the management function.

- 1) DA is 01-80-C2-00-00-00 (BPDU)
- 2) DA is 01-80-C2-00-00-02 (Slow Protocol)
- 3) DA is 01-80-C2-00-00-03 (802.1x PAE)
- 4) DA is 01-80-C2-00-00-04 ~ 01-80-C2-00-00-0f
- 5) DA is 01-80-C2-00-00-20 (GMRP)
- 6) DA is 01-80-C2-00-00-21 (GVRP)
- 7) DA is 01-80-C2-00-00-22 (GVRP)
- 8) DA is 01-00-5E-xx-xx-xx and protocol field is 2 for IPV4 (IGMP)

3.1.24 Special TAG

The ADM6926 has an ability to insert 4Byte special TAG when packets transmitted to the CPU port or to remove 8Byte additional TAG in the packets when packets are received from the CPU port. The configuration is shown in the CPU Configuration Register. This special function allows the CPU to know the source port which will be used in the IGMP Snooping , Spanning Tree or the Security function. The CPU also could insert additional 8-byte Tag to instruct the switch to handle the packets. The packets format is as follows:

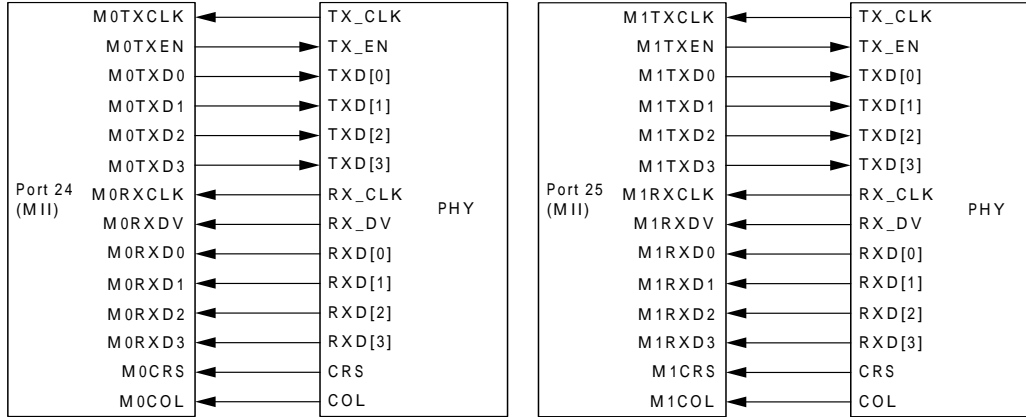


Special TAG Fields		
Configuration	Description	Default
Label	The field is used for CPU to decide if the special TAG is valid. If the switch finds the Label doesn't equal to the value assigned by the EEPROM, it must receive as the normal mode. This case exists when user wants the switch to insert 4 byte special tag even for Pause packets.	8'b0
Output Port Map Valid	1 = The switch is instructed to override the switch operation. It will forward the packets following the Output Port Map field. 0 = The switch will treat the packet as the normal mode.	1'b0
Output Port Map[26:0]	Bit[26] = 1, the CPU wants to forward packets to more than 2 ports. Bit[26] = 0, the CPU wants to forward packets to only one port. Bit[x], x = 0 ~25, the CPU wants to forward packets to Port x. Example: 1. The CPU wants to forward packet to P1 and P2 then the Output Port Map is as follows: <pre> Bit 26 25~24 23~16 15~8 7~0 Map 1 00 0000_0000 0000_0000 0000_0110 </pre> 2. The CPU wants to forward packets to P5 only. <pre> Bit 26 25~24 23~16 15~8 7~0 Map 0 00 0000_0000 0000_0000 0010_0000 </pre>	27'h0
TAG[25:0]	This value is the same as the TAG header if the CPU port is configured to a TAG port.	16'h0
Source Port[4:0]	This field indicates the source port the packet comes from.	5'h0
Queue Valid	1 = The switch is instructed to override the switch operation. It will forward the packets using the Queue Select Field. 0 = The switch will treat the packets as the normal mode.	1'b0
Queue Select	1 = Mapped for High Queue 0 = Mapped for Low Queue	1'b0
Learn Valid	1 = The switch is instructed to override the switch operation. The CPU port will use the Learn Field to decide how to learn the packet. 0 = The switch will treat the packets as the normal mode. That is, the CPU port will learn or disable learning according the Disable CPU Port Learning Function configured in the CPU Control Register. .	1'b0
Learn Select	1 = Learn the packet. 0 = Don't learn the packet	1'b0

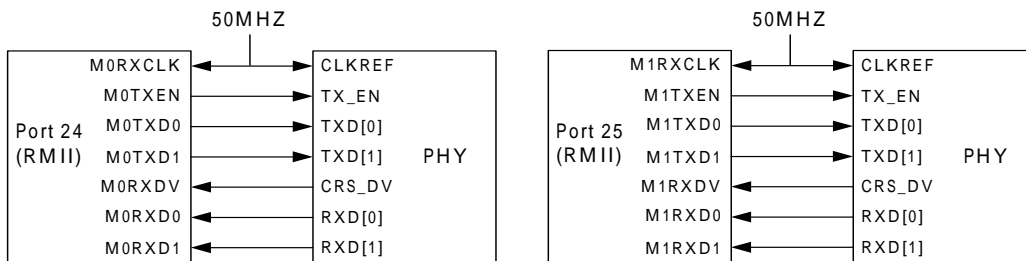
3.1.25 Port 24 and Port 25 Interface (Only SS-SMII package support)

Three interfaces in port 24 and port 25 are supported by the ADM6926: (1) MII Interface (2) RMI Interface (3) Reserved MII Interface.

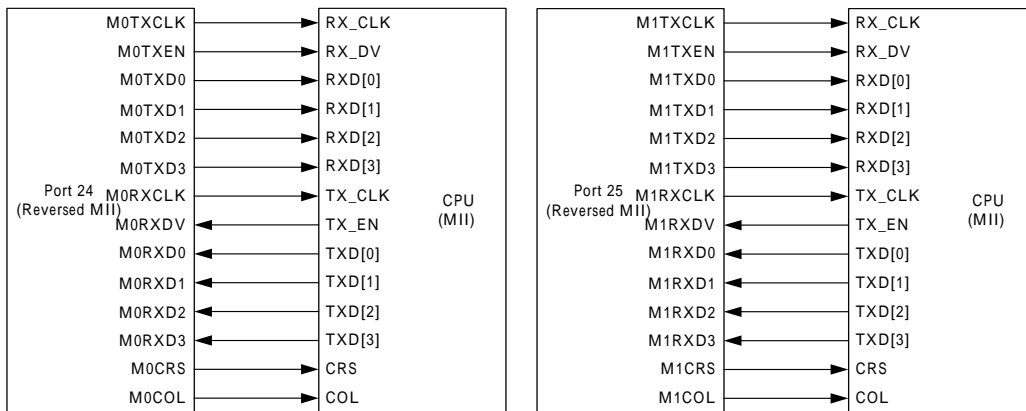
1. MII Interface Diagram



2. RMI Interface

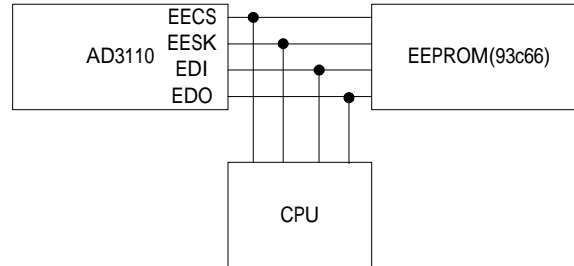


3. Reversed MII Interface



3.1.26 Hardware, EEPROM and SMI Interface for Configuration

Three ways are supported to configure the setting in the ADM6926: (1) Hardware Setting (2) EEPROM Interface (3) SMI Interface. Users could use EEPROM and SMI interfaces combined with the CPU port to provide proprietary functions. Four pins are needed when using these two interfaces. See the following figure as a description.



1. Hardware Setting

The ADM6926 provides some hardware pins where values reside on during power on or reset will be strapped for the default setting.

SS-SMII Pin Name	RMII Pin Name	Description
M1TXD0	M1TXD0	IPG Average 92 bit time. Internally Pulled Down. 1 = Enable IPG Average 92. 0 = Disable IPG Average 92.
M1TXD1	M1TXD1	Trunk En. Internally Pulled Up. 1 = Trunking Enable. Use EEPROM to configure the trunk member. 0 = Trunking Disable. The ADM6926 has no trunking function even if EEPROM sets.
M1TXD2	M1TXD2	Pause. Internally Pulled Up. 1 = The switch allows the Pause function. This function can be disabled by the EEPROM. 0 = The switch doesn't allow the Pause function even if EEPROM set. The only way to start the Pause function is through the CPU help.
M1TXD3	M1TXD3	Back-Pressure. Internally Pulled Up. 1 = The switch allows the Back-Pressure function. This function can be disabled by the EEPROM. 0 = The switch doesn't allow the Back-Pressure function even if EEPROM set.
M1TXEN	M1TXEN	Auto-Neg En. Internally Pulled Up. 1 = The switch allows the Auto-Negotiation function. This function can be disabled by the EEPROM. 0 = The switch doesn't allow Auto-Negotiation function even if EEPROM set. The only way to start the Auto-Negotiation function is through the CPU help.
M0TXEN	M0TXEN	Aging Dis. Internally Pulled Down. 0 = The switch will age the entry in the address table.. 1 = The switch will not age the entry in the address table.
M0TXD0	Don't Support	Port 24 Interface Configuration. M0TXD0 M0TXD2 Interface 0 0 Port 24 is configured to MII in SS-SMII package (internal value). x 1 Port 24 is configured to RMII in SS-SMII package. 1 0 Port 24 is configured to Reversed MII in SS-SMII package.
M0TXD2	Don't Support	

SS-SMII Pin Name	RMII Pin Name	Description
M0TXD1	Don't Support	Port 25 Interface Configuration. M0TXD1 M0TXD3 Interface configured to MII in SS-SMII package (internal value). x 1 Port 25 is configured to RMII in SS-SMII package. 1 0 Port 25 is configured to Reversed MII in SS-SMII package.
M0TXD3	Don't Support	

When port 24 or port 25 is configured to RMII mode in SS-SMII package, we can use the hardware pins to configure duplex status of these two ports.

Port 24 Duplex Configuration		
M0RXD3	M0RXD2	Description
0	0	Duplex status is determined as port 0 ~ port 23.
0	1	Duplex status is determined as port 0 ~ port 23.
1	0	Full Duplex is determined.
1	1	Half Duplex is determined.

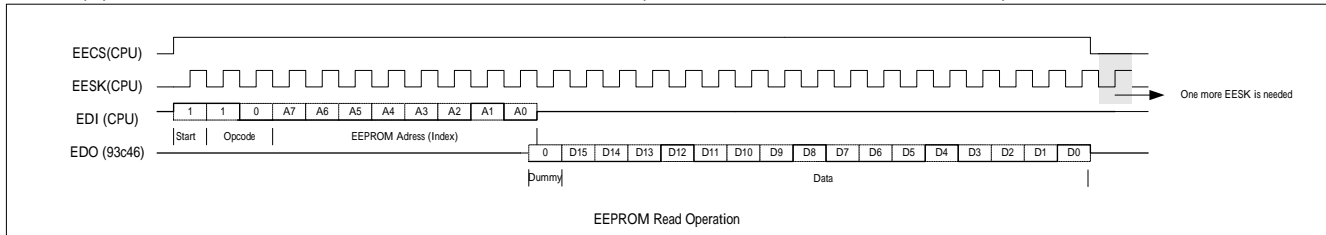
Port 25 Duplex Configuration		
M1RXD3	M1RXD2	Description
0	0	Duplex status is determined as port 0 ~ port 23.
0	1	Duplex status is determined as port 0 ~ port 23.
1	0	Full Duplex is determined.
1	1	Half Duplex is determined.

2. EEPROM Interface

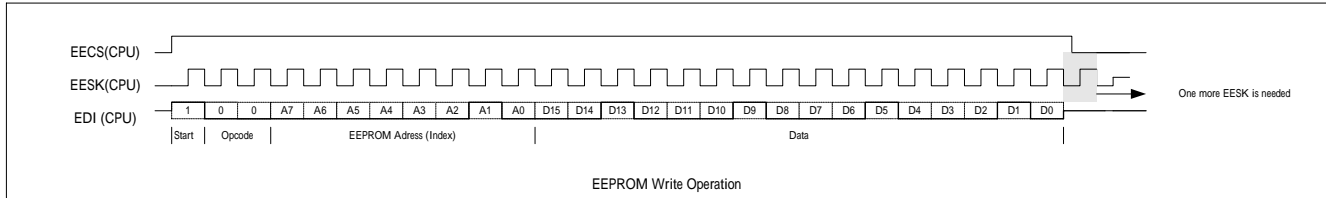
The EEPROM Interface is provided so the users could easily configure the setting without CPU's help. Because the EEPROM Interface is the same as the 93c66, it also allows the CPU to write the EEPROM register and renew the 93c66 at the same time. After the power up or reset (default value from the hardware pins fetched in this stage), the ADM6926 will automatically detect the presence of the EEPROM by reading the address 0 in the 93c66. If the value = 16'h4154, it will read all the data in the 93c66. If not, the ADM6926 will stop loading the 93c66. The user also could pull down the EDO to force the ADM6926 not to load the 93c66. The 93c66 loading time is around 30ms. Then CPU should give the high-z value in the EECs, EESK and EDI pins in this period if we really want to use CPU to read or write the registers in the ADM6926.

The EEPROM Interface needs only one Write command to complete a writing operation. If updating the 93c66 at the same time is necessary, three commands Write Enable, Write, and Write Disable are needed to complete this job (See 93c66 Spec. for a reference). Users should note that the EEPROM interface only allows the CPU to write the EEPROM register in the ADM6926 and doesn't support the READ command. If CPU gives the Read Command, ADM6926 will not respond and 93c66 will respond with the value. Users should also note that one additional EESK cycle is needed between any continuous commands (Read or Write).

(1) Read 93c66 via the EEPROM Interface (Index = 2, Data = 16'h1111).



(2) Write EEPROM registers in the ADM6926 (Index = 2, Data = 16'h2222).



3. SMI Interface

The SMI consists of two pins, management data clock (EESK) and management data input/output (EDI). The ADM6926 is designed to support an EESK frequency up to 25 MHz. The EDI pin is bi-directional and may be shared with other devices. EESK pin may be needed (pulled to low) if EEPROM interface is also used.

The EDI pin requires a 1.5 K Ω pull-up which, during idle and turnaround periods, will pull EDI to a logic one state. ADM6926 requires a single initialization sequence of 32 bits of preamble following power-up/hardware reset. The first 32 bits are preamble consisting of 32 contiguous logic one bits on EDI and 32 corresponding cycles on EESK. Following preamble is the start-of-frame field indicated by a <01> pattern. The next field signals the operation code (OP): <10> indicates read from management register operation, and <01> indicates write to management register operation. The next field is management register address. It is 10 bits wide and the most significant bit is transferred first.

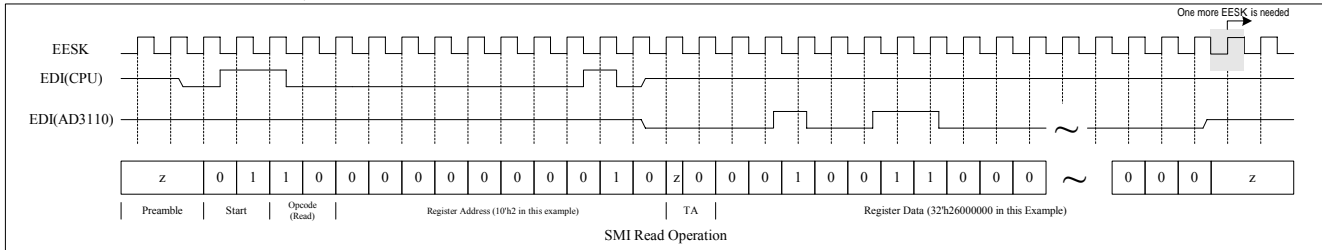
During Read operation, a 2-bit turn around (TA) time spacing between the register address field and data field is provided for the EDI to avoid contention. Following the turnaround time, a 32-bit data stream is read from or written into the management registers of the ADM6926.

(A) Preamble Suppression

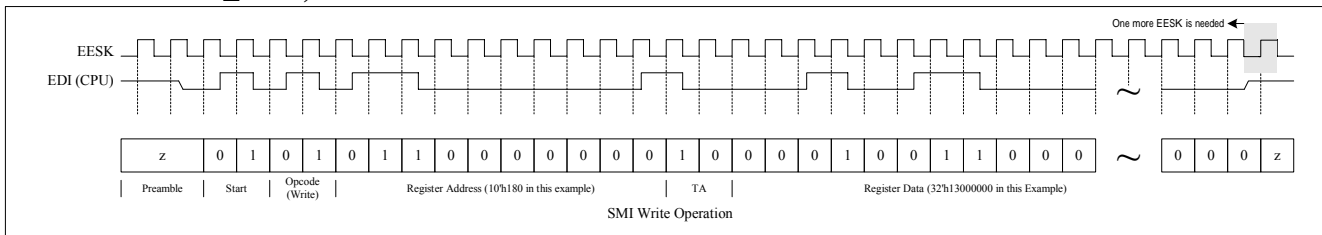
The SMI of ADM6926 supports a preamble suppression mode. The ADM6926 requires a single initialization sequence of 32 bits of preamble following power-up/hardware reset. This requirement is generally met by pulling-up the resistor of EDI. While the ADM6926 will respond to management accesses without preamble, a minimum of one idle bit between management transactions is required.

When ADM6926 detects that there is address match, then it will enable Read/Write capability for external access. When address is mismatched, then ADM6926 will tri-state the EDI pin.

(B) Read Switch Register via SMI Interface (Offset Hex = 10'h2, Data = 32'h2600_0000)



(C) Write Switch Register via SMI Interface (Offset Hex = 10'h180, Data = 32'h1300_0000)



(D) The pin type of EECS, EESK, EDI and EDO during the operation.

Pin Name	Reset Operation	Load EEPROM	Write Operation	Read Operation
EECS	Input	Output	Input	Input
EESK	Input	Output	Input	Input
EDI	Input	Output	Input	Input/Output
EDO	Input	Input	Input	Input

3.2 EEPROM Register Format

The EEPROM can be auto-detected by ADM6926 through the signature register. The ADM6926 supports C66 EEPROM. After the EEPROM is loaded, the output pins of ADM6926 are tri-state and released to CPU. The release time is about 30ms after end of RESET. Whenever CPU modifies the setting of C66, the new value will be written to ADM6926 at the same time. If CPU changes the port setting (Duplex/Speed/AEN), the ADM6926 will restart the auto-negotiation automatically.

EEPROM Format:

Offset Hex	Index	Bit 15- 8	Bit 7 – 0	Type	Default	
0200h	Low	0h	Signature	RO	4154h	
0201h	High	1h	Global configuration	RW	3800h	
0202h	Low	2h	Port 0 Configuration	RW	80ffh	
0203h	High	3h	Port 1 Configuration	RW	80ffh	
0204h	Low	4h	Port 2 Configuration	RW	80ffh	
0205h	High	5h	Port 3 Configuration	RW	80ffh	
0206h	Low	6h	Port 4 Configuration	RW	80ffh	
0207h	High	7h	Port 5 Configuration	RW	80ffh	
0208h	Low	8h	Port 6 Configuration	RW	80ffh	
0209h	High	9h	Port 7 Configuration	RW	80ffh	
020ah	Low	ah	Port 8 Configuration	RW	80ffh	
020bh	High	bh	Port 9 Configuration	RW	80ffh	
020ch	Low	ch	Port10 Configuration	RW	80ffh	
020dh	High	dh	Port 11 Configuration	RW	80ffh	
020eh	Low	eh	Port 12 Configuration	RW	80ffh	
020fh	High	fh	Port 13 Configuration	RW	80ffh	
0210h	Low	10h	Port 14 Configuration	RW	80ffh	
0211h	High	11h	Port 15 Configuration	RW	80ffh	
0212h	Low	12h	Port 16 Configuration	RW	80ffh	
0213h	High	13h	Port 17 Configuration	RW	80ffh	
0214h	Low	14h	Port 18 Configuration	RW	80ffh	
0215h	High	15h	Port 19 Configuration	RW	80ffh	
0216h	Low	16h	Port 20 Configuration	RW	80ffh	
0217h	High	17h	Port 21 Configuration	RW	80ffh	
0218h	Low	18h	Port 22 Configuration	RW	80ffh	
0219h	High	19h	Port 23 Configuration	RW	80ffh	
021ah	Low	1ah	Port 24 Configuration	RW	80ffh	
021bh	High	1bh	Port 25 Configuration	RW	80ffh	
021ch	Low	1ch	Miscellaneous Configuration	RW	820h	
021dh	High	1dh	TOS Priority Map	VLAN Priority Map	RW	0h
021eh	Low	1eh	Forwarding Group 0 Outbound Port Map Low	RW	ffffh	
021fh	High	1fh	Forwarding Group 0 Outbound Port Map High	RW	3ffh	
0220h	Low	20h	Forwarding Group 1 Outbound Port Map Low	RW	ffffh	
0221h	High	21h	Forwarding Group 1 Outbound Port Map High	RW	3ffh	
0222h	Low	22h	Forwarding Group 2 Outbound Port Map Low	RW	ffffh	
0223h	High	23h	Forwarding Group 2 Outbound Port Map High	RW	3ffh	
0224h	Low	24h	Forwarding Group 3 Outbound Port Map Low	RW	ffffh	
0225h	High	25h	Forwarding Group 3 Outbound Port Map High	RW	3ffh	
0226h	Low	26h	Forwarding Group 4 Outbound Port Map Low	RW	ffffh	
0227h	High	27h	Forwarding Group 4 Outbound Port Map High	RW	3ffh	
0228h	Low	28h	Forwarding Group 5 Outbound Port Map Low	RW	ffffh	
0229h	High	29h	Forwarding Group 5 Outbound Port Map High	RW	3ffh	

Offset Hex		Index	Bit 15- 8	Bit 7 – 0	Type	Default
022ah	Low	2ah	Forwarding Group 6 Outbound Port Map Low		RW	ffffh
022bh	High	2bh	Forwarding Group 6 Outbound Port Map High		RW	3ffh
022ch	Low	2ch	Forwarding Group 7 Outbound Port Map Low		RW	ffffh
022dh	High	2dh	Forwarding Group 7 Outbound Port Map High		RW	3ffh
022eh	Low	2eh	Forwarding Group 8 Outbound Port Map Low		RW	ffffh
022fh	High	2fh	Forwarding Group 8 Outbound Port Map High		RW	3ffh
0230h	Low	30h	Forwarding Group 9 Outbound Port Map Low		RW	ffffh
0231h	High	31h	Forwarding Group 9 Outbound Port Map High		RW	3ffh
0232h	Low	32h	Forwarding Group 10 Outbound Port Map Low		RW	ffffh
0233h	High	33h	Forwarding Group 10 Outbound Port Map High		RW	3ffh
0234h	Low	34h	Forwarding Group 11 Outbound Port Map Low		RW	ffffh
0235h	High	35h	Forwarding Group 11 Outbound Port Map High		RW	3ffh
0236h	Low	36h	Forwarding Group 12 Outbound Port Map Low		RW	ffffh
0237h	High	37h	Forwarding Group 12 Outbound Port Map High		RW	3ffh
0238h	Low	38h	Forwarding Group 13 Outbound Port Map Low		RW	ffffh
0239h	High	39h	Forwarding Group 13 Outbound Port Map High		RW	3ffh
023ah	Low	3ah	Forwarding Group 14 Outbound Port Map Low		RW	ffffh
023bh	High	3bh	Forwarding Group 14 Outbound Port Map High		RW	3ffh
023ch	Low	3ch	Forwarding Group 15 Outbound Port Map Low		RW	ffffh
023dh	High	3dh	Forwarding Group 15 Outbound Port Map High		RW	3ffh
023eh	Low	3eh	Forwarding Group 16 Outbound Port Map Low		RW	ffffh
023fh	High	3fh	Forwarding Group 16 Outbound Port Map High		RW	3ffh
0240h	Low	40h	Forwarding Group 17 Outbound Port Map Low		RW	ffffh
0241h	High	41h	Forwarding Group 17 Outbound Port Map High		RW	3ffh
0242h	Low	42h	Forwarding Group 18 Outbound Port Map Low		RW	ffffh
0243h	High	43h	Forwarding Group 18 Outbound Port Map High		RW	3ffh
0244h	Low	44h	Forwarding Group 19 Outbound Port Map Low		RW	ffffh
0245h	High	45h	Forwarding Group 19 Outbound Port Map High		RW	3ffh
0246h	Low	46h	Forwarding Group 20 Outbound Port Map Low		RW	ffffh
0247h	High	47h	Forwarding Group 20 Outbound Port Map High		RW	3ffh
0248h	Low	48h	Forwarding Group 21 Outbound Port Map Low		RW	ffffh
0249h	High	49h	Forwarding Group 21 Outbound Port Map High		RW	3ffh
024ah	Low	4ah	Forwarding Group 22 Outbound Port Map Low		RW	ffffh
024bh	High	4bh	Forwarding Group 22 Outbound Port Map High		RW	3ffh
024ch	Low	4ch	Forwarding Group 23 Outbound Port Map Low		RW	ffffh
024dh	High	4dh	Forwarding Group 23 Outbound Port Map High		RW	3ffh
024eh	Low	4eh	Forwarding Group 24 Outbound Port Map Low		RW	ffffh
024fh	High	4fh	Forwarding Group 24 Outbound Port Map High		RW	3ffh
0250h	Low	50h	Forwarding Group 25 Outbound Port Map Low		RW	ffffh
0251h	High	51h	Forwarding Group 25 Outbound Port Map High		RW	3ffh
0252h	Low	52h	Forwarding Group 26 Outbound Port Map Low		RW	ffffh
0253h	High	53h	Forwarding Group 26 Outbound Port Map High		RW	3ffh
0254h	Low	54h	Forwarding Group 27 Outbound Port Map Low		RW	ffffh
0255h	High	55h	Forwarding Group 27 Outbound Port Map High		RW	3ffh
0256h	Low	56h	Forwarding Group 28 Outbound Port Map Low		RW	ffffh
0257h	High	57h	Forwarding Group 28 Outbound Port Map High		RW	3ffh
0258h	Low	58h	Forwarding Group 29 Outbound Port Map Low		RW	ffffh
0259h	High	59h	Forwarding Group 29 Outbound Port Map High		RW	3ffh
025ah	Low	5ah	Forwarding Group 30 Outbound Port Map Low		RW	ffffh
025bh	High	5bh	Forwarding Group 30 Outbound Port Map High		RW	3ffh
025ch	Low	5ch	Forwarding Group 31 Outbound Port Map Low		RW	ffffh
025dh	High	5dh	Forwarding Group 31 Outbound Port Map High		RW	3ffh
025eh	Low	5eh	PVID shift	P0 VID	RW	1h

Offset Hex		Index	Bit 15- 8	Bit 7 – 0		Default
025fh	High	5fh		P1 VID	RW	1h
0260h	Low	60h		P2 VID	RW	1h
0261h	High	61h		P3 VID	RW	1h
0262h	Low	62h		P4 VID	RW	1h
0263h	High	63h		P5 VID	RW	1h
0264h	Low	64h		P6 VID	RW	1h
0265h	High	65h		P7 VID	RW	1h
0266h	Low	66h		P8 VID	RW	1h
0267h	High	67h		P9 VID	RW	1h
0268h	Low	68h		P10 VID	RW	1h
0269h	High	69h		P11 VID	RW	1h
026ah	Low	6ah		P12 VID	RW	1h
026bh	High	6bh		P13 VID	RW	1h
026ch	Low	6ch		P14 VID	RW	1h
026dh	High	6dh		P15 VID	RW	1h
026eh	Low	6eh		P16 VID	RW	1h
026fh	High	6fh		P17 VID	RW	1h
0270h	Low	70h		P18 VID	RW	1h
0271h	High	71h		P19 VID	RW	1h
0272h	Low	72h		P20 VID	RW	1h
0273h	High	73h		P21 VID	RW	1h
0274h	Low	74h		P22 VID	RW	1h
0275h	High	75h		P23 VID	RW	1h
0276h	Low	76h		P24 VID	RW	1h
0277h	High	77h		P25 VID	RW	1h
0278h	Low	78h	P0, P1, P2, P3 Bandwidth Control Register		RW	0h
0279h	High	79h	P4, P5, P6, P7 Bandwidth Control Register		RW	0h
027ah	Low	7ah	P8, P9, P10, P11 Bandwidth Control Register		RW	0h
027bh	High	7bh	P12, P13, P14, P15 Bandwidth Control Register		RW	0h
027ch	Low	7ch	P16, P17, P18, P19 Bandwidth Control register		RW	0h
027dh	High	7dh	P20, P21, P22, P23 Bandwidth Control Register		RW	0h
027eh	Low	7eh	P25, P24 Bandwidth Control Register		RW	0h
027fh	High	7fh	Bandwidth Control Enable Register Low		RW	0h
0280h	Low	80h	Bandwidth Control Enable Register High		RW	0h
0281h	High	81h	Reserved		RW	0h
0282h	Low	82h	Reserved		RW	0h
0283h	High	83h	Reserved		RW	100h
0284h	Low	84h	Reserved		RW	0h
0285h	High	85h	Reserved		RW	0h
0286h	Low	86h	Reserved		RW	0h
0287h	High	87h	Reserved		RW	0h
0288h	Low	88h	Reserved		RW	0h
0289h	High	89h	Reserved		RW	0h
028ah	Low	8ah	Reserved		RW	ff00h
028bh	HIGH	8bh	Customized PHY Control Group 0		RW	0h
028ch	Low	8ch	Customized PHY Control Group 1		RW	0h
028dh	HIGH	8dh	Customized PHY Control Group 2		RW	0h
028eh	Low	8eh	Customized PHY Control Group 3		RW	0h
028fh	HIGH	8fh	Group 0 PHY Customized DATA 0		RW	0h
0290h	Low	90h	Group 0 PHY Customized DATA 1		RW	0h
0291h	HIGH	91h	Group 1 PHY Customized DATA 0		RW	0h
0292h	Low	92h	Group 1 PHY Customized DATA 1		RW	0h
0293h	HIGH	93h	Group 2 PHY Customized DATA 0		RW	0h

Offset Hex	Index	Bit 15- 8	Bit 7 – 0	Type	Default
0294h	Low	94h	Group 2 PHY Customized DATA 1	RW	0h
0295h	HIGH	95h	Group 3 PHY Customized DATA 0	RW	0h
0296h	Low	96h	Group 3 PHY Customized DATA 1	RW	0h
0297h	HIGH	97h	PHY Customized Enable Register	RW	0h
0298h	Low	98h	PPPOE Control Register 0	RW	0h
0299h	HIGH	99h	PPPOE Control Register 1	RW	0h
029ah	Low	9ah	PHY Control Register 0	RW	0h
029bh	HIGH	9bh	PHY Control Register 1	RW	0h
029ch	Low	9ch	Disable MDIO Active Register 0	RW	0h
029dh	HIGH	9dh	Disable MDIO Active Register 1	RW	0h
029eh	Low	9eh	Disable Port Register 0	RW	0h
029fh	HIGH	9fh	Disable Port Register 1	RW	0h
02a0h	Low	a0h	IGMP Enable Register 0	RW	0h
02a1h	HIGH	a1h	IGMP Enable Register 1	RW	0h
02a2h	Low	a2h	CPU Control Register	RW	001fh
02a3h	HIGH	a3h	MAC Forward Mode Register 0	RW	4h
02a4h	Low	a4h	MAC Forward Mode Register 1	RW	3h
02a5h	HIGH	a5h	MAC Forward Mode Register 2	RW	0h
02a6h	Low	a6h	Trunking Enable Register 0	RW	0h
02a7h	HIGH	a7h	Trunking Enable Register 1	RW	0h

3.2.1 Signature (Index: 0h)

Configuration	Description	Default
Bit [15:0]	The value must be at 4154h. ADM6926 uses this value to check if the EEPROM is attached. If the value in the EEPROM doesn't equal to 4154h, the ADM6926 will not load the EEPROM even if the EEPROM is attached.	4154h

3.2.2 Global Configuration Register (Index: 1h)

Configuration	Description	Default
Bit [1:0]	Broadcast Storm Threshold.	2'b00
Bit [2]	Broadcast Storm Filtering Enable Bit. 1 = The ADM6926 enables the broadcast storm filtering function. 0 = The ADM6926 disables the broadcast storm filtering function.	1'b0
Bit [4:3]	Priority Queue Ratio. The ADM6926 supports two priorities on each output port using weighted round robin scheme. The ratio between the low and high queue is as follows: Bit[4:3] Ratio 00 1:2 01 1:4 10 1:8 11 1:16	2'b00
Bit [8:5]	Discard Mode. This function enables the switch to discard packets according to their priorities if the receiving port disables the flow control function. Users could use this to prevent packets with the low priority to block those with high priority. Bit[8:7] = High Queue Discard Mode (see Sec. 3.1.18) Bit[6:5] = Low Queue Discard Mode.	4'b0000
Bit[9]	Check VLAN Group. 1 = The ADM6926 will check if the packets and the receiving port are at the same Forwarding Group. That is, the output port map for the receiving packet must contain the receiving port. If they belong to different Forwarding Group, the receiving packets will be discarded. Example: Port 3 receives a packet and finds Forwarding Group contains P0, P1, and P2 (doesn't contain P3). This packet will be dropped.	1'b0

Configuration	Description	Default
	0 = The ADM6926 will disable the Check VLAN Group function.	
Bit[10]	VLAN Group Mode. 1 = The switch is configured to Tagged Based VLAN. 0 = The switch is configured to Port Based VLAN.	1'b0
Bit[11]	Bypass Mode. 1 = The switch is configured to Bypass Mode. The packets will not be modified when they are transmitted. 0 = The switch is not configured to Bypass Mode.	1'b1
Bit[12]	Force No Tag Mode. 1 = The switch is configured to Force No Tag Mode. In this mode, the ADM6926 will not recognize the VLAN TAG even if they contain a Tag Header. 0 = The switch is not configured to Force No Tag Mode.	1'b1
Bit [13]	Length 1536 Enable bit. 1 = The switch can receive packets of less than 1536 bytes. 0 = The switch can receive packets of less then 1518 bytes.	1'b1
Bit[14]	Fast Management Clock Enable Bit. 1 = The switch will use 10 M clock to configure the phys. 0 = The switch will use 2.5M clock to configure the phys.	1'b0

3.2.3 Port Configuration Registers (Index: 2h ~ 1bh)

Configuration	Description	Default
Bit [0]	10Base-T Half Duplex Ability in Auto-Negotiation Advertisement Register. 1 = 10Base-T Half Duplex is advertised. 0 = 10Base-T Half Duplex is not advertised.	1'b1
Bit [1]	10Base-T Full Duplex Ability in Auto-Negotiation Advertisement Register. 1 = 10Base-T Full Duplex is advertised. 0 = 10Base-T Full Duplex is not advertised.	1'b1
Bit [2]	100Base-TX Half Duplex Ability in Auto-Negotiation Advertisement Register. 1 = 100Base-TX Half Duplex is advertised. 0 = 100Base-TX Half Duplex is not advertised.	1'b1
Bit [3]	100Base-TX Full Duplex Ability in Auto-Negotiation Advertisement Register. 1 = 100Base-TX Full Duplex is advertised. 0 = 100Base-Tx Full Duplex is not advertised.	1'b1
Bit [4]	802.3x Flow Control Ability in Full Duplex. 1 = (1). MAC controller supports Pause Frames when the port is configured to bypass management function from MDC/MDIO. (2). If the port is not configured to bypass management function form MDC/MDIO, then it will be used as the Pause bit in Auto-Negotiation Advertisement Register and the Pause function will be advertised. If Auto-Negotiation function is disabled, then this bit is used and Pause is supported. (3). If the port is not configured to bypass management function from MDC/MDIO and no PHY is attached to this port, the MAC controller will support Pause Frames in the full duplex. 0 = (1). Mac controller doesn't support Pause Frames when the port is configured to bypass management function from MDC/MDIO. (2). If the port is not configured to bypass management function form MDC/MDIO, then it will be used as the Pause bit in Auto-Negotiation Advertisement Register and the Pause function will not be advertised. If Auto-Negotiation function is disabled, then this bit is used and Pause is not supported. (3). If the port is not configured to bypass management function from MDC/MDIO and no PHY is attached to this port, the MAC controller will not support Pause Frames in the full duplex.	1'b1

Configuration	Description	Default
Bit [5]	Auto Negotiation Enable in Basic Mode Control Register. 1 = Auto-Negotiation is Enabled. 0 = Auto-Negotiation is Disabled.	1'b1
Bit [6]	Speed Ability. This bit will be used as Bit 13 (Speed Select) in the Basic Mode Control Register if bypass management function is not enabled, and be used as Speed Desired if bypass management function is enabled. 1 = 100Mb/s Enabled. 0 = 10 Mb/s Enabled.	1'b1
Bit [7]	Duplex Ability. This bit will be used as Bit 8 (Duplex Select) in the Basic Mode Control Register if bypass management function is not enabled, and be used as Duplex Desired if bypass management function is enabled. 1 = Full Duplex Enabled. 0 = Half Duplex Enabled.	1'b1
Bit [8]	Tagged Port. 1 = The transmitted port is configured to a tagged port. The transmitted packets from a tagged port will always contain a Tag Header except the transmitted packets are management packet or the Bypass Mode is enabled. 0 = The transmitted port is configured to an untagged port. The transmitted packets from an untagged port will not contain a Tag Header except the transmitted packets are management packet or the Bypass Mode is enabled.	1'b0
Bit [9]	Security Function Enable. 1 = The switch enables the security function. Four security modes could be selected through Bit[14:13]. 0 = The switch disables the security function.	1'b0
Bit [10]	TOS over VLAN priority. 1 = When the receiving packets contain the IPv4 and Tag Priority at the same time, the switch will use IPv4 priority field for the queue mapping. 0 = When the receiving packets contain the IPv4 and Tag Priority at the same time, the switch will use Tag priority field for the queue mapping.	1'b0
Bit [11]	Enable port-base priority. 1 = The switch will always use the Port-Priority for the queue mapping even if the receiving packets contain IPv4 or Tag information. 0 = The switch will use the IPv4 or Tag priority fields for the queue mapping (See Bit [10]). If the packets contain no priority field, then the switch will use the Port-Priority for the default priority.	1'b0
Bit [12]	Port-base Priority Mapping. 1 = Mapped for the High Queue. 0 = Mapped for the Low Queue.	1'b0
Bit[14:13]	Four Security Mode. 00 = The switch will forward packets with “unknown source addresses” to the CPU port and not learn it if the receiving port is configured to enable security function. The “unknown source address” means that we can't find an equal address existed in the learning table and its corresponding port number equals to the receiving port. This function needs CPU's help because we need to create a “static address” to the learning table from the CPU. “Static” means this address will always exist in the leaning table and can only be removed through the CPU. When the address is configured to “Static”, we can prevent this address from overlapping when it is received from a port without the security function enabled. 01 = The switch will discard packets with “unknown source addresses” and not learn it if the receiving port is configured to enable security function. Only packets with source addresses existed in the learning table will be forwarded. 10 =The first received packets will be locked at the receiving port if the receiving port is configured to enable security function. Only the packets with the source address same as the locked one will be forwarded and learned.	2'b00

Configuration	Description	Default
	11= The first received packets will be locked as above. The difference is that the receiving port will not receive and learn packets any more after the link goes down even it links up again (it may happen if the station moves to the other port).	
Bit[15]	Back Pressure Enable Bit. 1 = The MAC controller supports back-pressure function in half duplex. 0 = The MAC controller doesn't support back-pressure function in half duplex.	1'b1

3.2.4 Miscellaneous Configuration (Index: 1ch)

Configuration	Description	Default
Bit[0]	Disable CSMA/CD Back-off Function. 1 = The MAC controller will disable random back off function. 0 = The Mac controller supports random back off function.	1'b0
Bit[1]	Recommend 16 th Collision Drop. 1 = The Mac controller will drop packets when the collision count is larger than 16. 0 = The Mac controller will retransmit packets even when the collision count is larger than 16.	1'b0
Bit[2]	Reserved	1'b0
Bit[3]	Enable Replace VLAN ID 1 = The switch will replace the VID with the PVID associated with the receiving port when the received packets are priority tagged or its VID in the Tag Header equals to 1. 0 = The switch will use the original VID received from the Tag Header.	1'b0
Bit[7:4]	Reserved	4'b0010
Bit[8]	Reserved	1'b0
Bit[9]	Collision LED Enable. 1 = The switch will provide two collision LEDs for 10M and 100M domain individually and flash in rate of 2Hz. 0 = The switch will not provide two collision LEDs for 10M and 100M domain individually.	1'b0
Bit[10]	Reserved	1'b0
Bit[11]	Reserved	1'b0
Bit[12]	Reserved	1'b0
Bit[13]	Reserved	1'b0

3.2.5 VLAN(TOS) Priority Map (Index: 1dh)

Configuration	Description	Default
Bit[0]	Mapped Priority Queue of Tag Value 0 1 = Mapped for the High Queue 0 = Mapped for the Low Queue	1'b0
Bit[1]	Mapped Priority Queue of Tag Value 1 1 = Mapped for the High Queue 0 = Mapped for the Low Queue	1'b0
Bit[2]	Mapped priority Queue of Tag Value 2 1 = Mapped for the High Queue 0 = Mapped for the Low Queue	1'b0
Bit[3]	Mapped Priority Queue of Tag Value 3 1 = Mapped for the High Queue 0 = Mapped for the Low Queue	1'b0
Bit[4]	Mapped Priority Queue of Tag Value 4 1 = Mapped for High Queue 0 = Mapped for Low Queue	1'b0
Bit[5]	Mapped Priority Queue of Tag Value 5	1'b0

Configuration	Description	Default
	1 = Mapped for the High Queue 0 = Mapped for the Low Queue	
Bit[6]	Mapped Priority Queue of Tag Value 6 1 = Mapped for the High Queue 0 = Mapped for the Low Queue	1'b0
Bit[7]	Mapped Priority Queue of Tag Value 7 1 = Mapped for the High Queue 0 = Mapped for the Low Queue	1'b0
Bit[8]	Mapped Priority Queue of TOS 0 1 = Mapped for the High Queue 0 = Mapped for the Low Queue	1'b0
Bit[9]	Mapped Priority Queue of TOS 1 1 = Mapped for the High Queue 0 = Mapped for the Low Queue	1'b0
Bit[10]	Mapped Priority Queue of TOS 2 1 = Mapped for the High Queue 0 = Mapped for the Low Queue	1'b0
Bit[11]	Mapped Priority Queue of TOS 3 1 = Mapped for the High Queue 0 = Mapped for the Low Queue	1'b0
Bit[12]	Mapped Priority Queue of TOS 4 1 = Mapped for the High Queue 0 = Mapped for the Low Queue	1'b0
Bit[13]	Mapped Priority Queue of TOS 5 1 = Mapped for the High Queue 0 = Mapped for the Low Queue	1'b0
Bit[14]	Mapped Priority Queue of TOS 6 1 = Mapped for the High Queue 0 = Mapped for the Low Queue	1'b0
Bit[15]	Mapped Priority Queue of TOS 7 1 = Mapped for the High Queue 0 = Mapped for the Low Queue	1'b0

3.2.6 Forwarding Group Outbound Port Map Low

(Index: 1eh, 20h, 22h, 24h, 26h, 28h, 2ah, 2ch, 2eh, 30h, 32h, 34h, 36h, 38h, 3ah, 3ch, 3eh, 40h, 42h, 44h, 46h, 48h, 4ah, 4ch, 4eh, 50h, 52h, 54h, 56h, 58h, 5ah, 5ch)

Configuration	Description	Default
Bit[0]	1= Port 0 is in the Forwarding Group 0 = Port 0 is not in the Forwarding Group	1'b1
Bit[1]	1= Port 1 is in the Forwarding Group 0 = Port 1 is not in the Forwarding Group	1'b1
Bit[2]	1= Port 2 is in the Forwarding Group 0 = Port 2 is not in the Forwarding Group	1'b1
Bit[3]	1= Port 3 is in the Forwarding Group 0 = Port 3 is not in the Forwarding Group	1'b1
Bit[4]	1= Port 4 is in the Forwarding Group 0 = Port 4 is not in the Forwarding Group	1'b1
Bit[5]	1= Port 5 is in the Forwarding Group 0 = Port 5 is not in the Forwarding Group	1'b1
Bit[6]	1= Port 6 is in the Forwarding Group, 0 = Port 6 is not in the Forwarding Group	1'b1
Bit[7]	1= Port 7 is in the Forwarding Group 0 = Port 7 is not in the Forwarding Group	1'b1
Bit[8]	1= Port 8 is in the Forwarding Group	1'b1

Configuration	Description	Default
	0 = Port 8 is not in the Forwarding Group	
Bit[9]	1= Port 9 is in the Forwarding Group 0 = Port 9 is not in the Forwarding Group	1'b1
Bit[10]	1= Port 10 is in the Forwarding Group 0 = Port 10 is not in the Forwarding Group	1'b1
Bit[11]	1= Port 11 is in the Forwarding Group 0 = Port 11 is not in the Forwarding Group	1'b1
Bit[12]	1= Port 12 is in the Forwarding Group 0 = Port 12 is not in the Forwarding Group	1'b1
Bit[13]	1= Port 13 is in the Forwarding Group 0 = Port 13 is not in the Forwarding Group	1'b1
Bit[14]	1= Port 14 is in the Forwarding Group 0 = Port 14 is not in the Forwarding Group	1'b1
Bit[15]	1= Port 15 is in the Forwarding Group 0 = Port 15 is not in the Forwarding Group	1'b1

3.2.7 Forwarding Group Outbound Port Map High

(Index: 1fh, 21h, 23h, 25h, 27h, 29h, 2bh, 2dh, 2fh, 31h, 33h, 35h, 37h, 39h, 3bh, 3dh, 3fh, 41h, 43h, 45h, 47h, 49h, 4bh, 4dh, 4fh, 51h, 53h, 55h, 57h, 59h, 5bh, 5dh)

Configuration	Description	Default
Bit[0]	1= Port 16 is in the Forwarding Group 0 = Port 16 is not in the Forwarding Group	1'b1
Bit[1]	1= Port 17 is in the Forwarding Group 0 = Port 17 is not in the Forwarding Group	1'b1
Bit[2]	1= Port 18 is in the Forwarding Group 0 = Port 18 is not in the Forwarding Group	1'b1
Bit[3]	1= Port 19 is in the Forwarding Group 0 = Port 19 is not in the Forwarding Group	1'b1
Bit[4]	1= Port 20 is in the Forwarding Group 0 = Port 20 is not in the Forwarding Group	1'b1
Bit[5]	1= Port 21 is in the Forwarding Group 0 = Port 21 is not in the Forwarding Group	1'b1
Bit[6]	1= Port 22 is in the Forwarding Group 0 = Port 22 is not in the Forwarding Group	1'b1
Bit[7]	1= Port 23 is in the Forwarding Group 0 = Port 23 is not in the Forwarding Group	1'b1
Bit[8]	1= Port 24 is in the Forwarding Group 0 = Port 24 is not in the Forwarding Group	1'b1
Bit[9]	1= Port 25 is in the Forwarding Group 0 = Port 25 is not in the Forwarding Group	1'b1

3.2.8 P0 VID and PVID Shift (Index: 5eh)

Configuration	Description	Default
Bit [11:0]	Port 0 VID. The port's Default VID is used if the frame is untagged or if the frame's VID is 0x0000 or 0x0001 and Enable Replace VLAN ID function (also see Miscellaneous Configuration register) is enabled.	0001h
Bit [15:13]	VID Shift. This function maps 4096 VLAN into 32 Forwarding Groups. 1. In Tagged Based VLAN, the ADM6926 will use 5 bits from VID as the Index to map into forwarding groups. 32 forwarding groups are defined in the ADM6926. We use F0, F1, .F31 to call each forwarding group. This looking scheme is different from the Port Based VLAN because Port Based VLAN uses port number as the Index to map into the forwarding groups and then F26 ~ F31 will not be used. The VID is	3'b000

Configuration	Description	Default
	defined as follows: 1.1 The port's Default VID is used if the frame is not 802.3ac Tagged (No Tag Header in the frame). 1.2 The port's Default VID is used if the frame is 802.3ac Tagged (Tag Header in the frame) and the frame's VID is 0x0000 or 0x0001 and the Enable Replace VLAN ID function is enabled. 1.3 The VID in the Tag Header is used if the frame is 802.3 Tagged and the frame's VID is not 0x0000 or 0x0001. 1.4 The VID in the Tag Header is used if the frame is 802.3 Tagged and the frame's VID is 0x0000 or 0x0001 and Enable Replace VLAN ID function is not enabled. 2. The relation between VID Shift, VID and the forwarding group is as follows: Bit[15:13] Forwarding Group 000 = VID[4:0] 001 = VID[5:1] 010 = VID[6:2] 011 = VID[7:3] 100 = VID[8:4] 101 = VID[9:5] 110 = VID[10:6] 111 = VID[11:7]	

3.2.9 P1~P25 VID Configuration

(Index: 5fh, 60h, 61h, 62h, 63h, 64h, 65h, 66h, 67h, 68h, 69h, 6ah, 6bh, 6ch, 6dh, 6eh, 6fh, 70h, 71h, 72h, 73h, 74h, 75h, 76h, 77h)

Configuration	Description	Default
Bit [11:0]	The port's Default VID	0001h

3.2.10 P0, P1, P2, P3 Bandwidth Control Register (Index: 78h)

Configuration	Description																
Bit [2:0]	Port 0 Meter Threshold Control, default 000																
	<table border="1"> <tr> <td>000</td> <td>001</td> <td>010</td> <td>011</td> <td>100</td> <td>101</td> <td>110</td> <td>111</td> </tr> <tr> <td>64K</td> <td>128K</td> <td>256K</td> <td>512K</td> <td>1M</td> <td>4M</td> <td>10M</td> <td>20M</td> </tr> </table>	000	001	010	011	100	101	110	111	64K	128K	256K	512K	1M	4M	10M	20M
	000	001	010	011	100	101	110	111									
64K	128K	256K	512K	1M	4M	10M	20M										
Bit [3]	Port 0 Receive Packet Length Counted on the Source Port, default 0 0 = The switch will add length to the P0 counter.																
Bit [6:4]	Port 1 Meter Threshold Control, default 000																
	<table border="1"> <tr> <td>000</td> <td>001</td> <td>010</td> <td>011</td> <td>100</td> <td>101</td> <td>110</td> <td>111</td> </tr> <tr> <td>64K</td> <td>128K</td> <td>256K</td> <td>512K</td> <td>1M</td> <td>4M</td> <td>10M</td> <td>20M</td> </tr> </table>	000	001	010	011	100	101	110	111	64K	128K	256K	512K	1M	4M	10M	20M
	000	001	010	011	100	101	110	111									
64K	128K	256K	512K	1M	4M	10M	20M										
Bit [7]	Port 1 Receive Packet Length Counted on the Source Port, default 0 0 = The switch will add length to the P1 counter.																
Bit [10:8]	Port 2 Meter Threshold Control, default 000																
	<table border="1"> <tr> <td>000</td> <td>001</td> <td>010</td> <td>011</td> <td>100</td> <td>101</td> <td>110</td> <td>111</td> </tr> <tr> <td>64K</td> <td>128K</td> <td>256K</td> <td>512K</td> <td>1M</td> <td>4M</td> <td>10M</td> <td>20M</td> </tr> </table>	000	001	010	011	100	101	110	111	64K	128K	256K	512K	1M	4M	10M	20M
	000	001	010	011	100	101	110	111									
64K	128K	256K	512K	1M	4M	10M	20M										
Bit [11]	Port 2 Receive Packet Length Counted on the Source Port, default 0 0 = The switch will add length to the P2 counter.																
Bit [14:12]	Port 3 Meter Threshold Control, default 000																
	<table border="1"> <tr> <td>000</td> <td>001</td> <td>010</td> <td>011</td> <td>100</td> <td>101</td> <td>110</td> <td>111</td> </tr> </table>	000	001	010	011	100	101	110	111								
	000	001	010	011	100	101	110	111									

Configuration	Description							
	64K	128K	256K	512K	1M	4M	10M	20M
Bit [15]	Port 3 Receive Packet Length Counted on the Source Port, default 0 0 = The switch will add length to the P3 counter.							

3.2.11 P4, P5, P6, P7 Bandwidth Control Register (Index: 79h)

Configuration	Description							
	64K	128K	256K	512K	1M	4M	10M	20M
Bit [2:0]	Port 4 Meter Threshold Control, default 000							
	000	001	010	011	100	101	110	111
	64K	128K	256K	512K	1M	4M	10M	20M
Bit [3]	Port 4 Receive Packet Length Counted on the Source Port, default 0 0 = The switch will add length to the P4 counter.							
Bit [6:4]	Port 5 Meter Threshold Control, default 000							
	000	001	010	011	100	101	110	111
	64K	128K	256K	512K	1M	4M	10M	20M
Bit [7]	Port 5 Receive Packet Length Counted on the Source Port, default 0 0 = The switch will add length to the P5 counter.							
Bit [10:8]	Port 6 Meter Threshold Control, default 000							
	000	001	010	011	100	101	110	111
	64K	128K	256K	512K	1M	4M	10M	20M
Bit [11]	Port 6 Receive Packet Length Counted on the Source Port, default 0 0 = The switch will add length to the P6 counter.							
Bit [14:12]	Port 7 Meter Threshold Control, default 000							
	000	001	010	011	100	101	110	111
	64K	128K	256K	512K	1M	4M	10M	20M
Bit [15]	Port 7 Receive Packet Length Counted on the Source Port, default 0 0 = The switch will add length to the P7 counter.							

3.2.12 P8, P9, P10, P11 Bandwidth Control Register (Index: 7ah)

Configuration	Description							
	64K	128K	256K	512K	1M	4M	10M	20M
Bit [2:0]	Port 8 Meter Threshold Control, default 000							
	000	001	010	011	100	101	110	111
	64K	128K	256K	512K	1M	4M	10M	20M
Bit [3]	Port 8 Receive Packet Length Counted on the Source Port, default 0 0 = The switch will add length to the P8 counter.							
Bit [6:4]	Port 9 Meter Threshold Control, default 000							
	000	001	010	011	100	101	110	111
	64K	128K	256K	512K	1M	4M	10M	20M
Bit [7]	Port 9 Receive Packet Length Counted on the Source Port, default 0 0 = The switch will add length to the P9 counter.							
Bit [10:8]	Port 10 Meter Threshold Control, default 000							
	000	001	010	011	100	101	110	111

Configuration	Description							
	64K	128K	256K	512K	1M	4M	10M	20M
Bit [11]	Port 10 Receive Packet Length Counted on the Source Port, default 0 0 = The switch will add length to the P10 counter.							
Bit [14:12]	Port 11 Meter Threshold Control, default 000							
	000	001	010	011	100	101	110	111
	64K	128K	256K	512K	1M	4M	10M	20M
Bit [15]	Port 11 Receive Packet Length Counted on the Source Port, default 0 0 = The switch will add length to the P11 counter.							

3.2.13 P12, P13, P14, P15 Bandwidth Control Register (Index: 7bh)

Configuration	Description							
Bit [2:0]	Port 12 Meter Threshold Control, default 000							
	000	001	010	011	100	101	110	111
	64K	128K	256K	512K	1M	4M	10M	20M
Bit [3]	Port 12 Receive Packet Length Counted on the Source Port, default 0 0 = The switch will add length to the P12 counter.							
Bit [6:4]	Port 13 Meter Threshold Control, default 000							
	000	001	010	011	100	101	110	111
	64K	128K	256K	512K	1M	4M	10M	20M
Bit [7]	Port 13 Receive Packet Length Counted on the Source Port, default 0 0 = The switch will add length to the P13 counter.							
Bit [10:8]	Port 14 Meter Threshold Control, default 000							
	000	001	010	011	100	101	110	111
	64K	128K	256K	512K	1M	4M	10M	20M
Bit [11]	Port 14 Receive Packet Length Counted on the Source Port, default 0 0 = The switch will add length to the P14 counter.							
Bit [14:12]	Port 15 Meter Threshold Control, default 000							
	000	001	010	011	100	101	110	111
	64K	128K	256K	512K	1M	4M	10M	20M
Bit [15]	Port 15 Receive Packet Length Counted on the Source Port, default 0 0 = The switch will add length to the P15 counter.							

3.2.14 P16, P17, P18, P19 Bandwidth Control Register (Index: 7ch)

Configuration	Description							
Bit [2:0]	Port 16 Meter Threshold Control, default 000							
	000	001	010	011	100	101	110	111
	64K	128K	256K	512K	1M	4M	10M	20M
Bit [3]	Port 16 Receive Packet Length Counted on the Source Port, default 0 0 = The switch will add length to the P16 counter.							
Bit [6:4]	Port 16 Meter Threshold Control, default 000							
	000	001	010	011	100	101	110	111

Configuration	Description							
	64K	128K	256K	512K	1M	4M	10M	20M
Bit [7]	Port 17 Receive Packet Length Counted on the Source Port, default 0 0 = The switch will add length to the P17 counter.							
Bit [10:8]	Port 18 Meter Threshold Control, default 000							
	000	001	010	011	100	101	110	111
	64K	128K	256K	512K	1M	4M	10M	20M
Bit [11]	Port 18 Receive Packet Length Counted on the Source Port, default 0 0 = The switch will add length to the P18 counter.							
Bit [14:12]	Port 19 Meter Threshold Control, default 000							
	000	001	010	011	100	101	110	111
	64K	128K	256K	512K	1M	4M	10M	20M
Bit [15]	Port 19 Receive Packet Length Counted on the Source Port, default 0 0 = The switch will add length to the P19 counter.							

3.2.15 P20, P21, P22, P23 Bandwidth Control Register (Index: 7dh)

Configuration	Description							
Bit [2:0]	Port 20 Meter Threshold Control, default 000							
	000	001	010	011	100	101	110	111
	64K	128K	256K	512K	1M	4M	10M	20M
Bit [3]	Port 20 Receive Packet Length Counted on the Source Port, default 0 0 = The switch will add length to the P20 counter.							
Bit [6:4]	Port 21 Meter Threshold Control, default 000							
	000	001	010	011	100	101	110	111
	64K	128K	256K	512K	1M	4M	10M	20M
Bit [7]	Port 21 Receive Packet Length Counted on the Source Port, default 0 0 = The switch will add length to the P21 counter.							
Bit [10:8]	Port 22 Meter Threshold Control, default 000							
	000	001	010	011	100	101	110	111
	64K	128K	256K	512K	1M	4M	10M	20M
Bit [11]	Port 22 Receive Packet Length Counted on the Source Port, default 0 0 = The switch will add length to the P22 counter.							
Bit [14:12]	Port 23 Meter Threshold Control, default 000							
	000	001	010	011	100	101	110	111
	64K	128K	256K	512K	1M	4M	10M	20M
Bit [15]	Port 23 Receive Packet Length Counted on the Source Port, default 0 0 = The switch will add length to the P23 counter.							

3.2.16 P24, P25 Bandwidth Control Register (Index: 7eh)

Configuration	Description							
Bit [2:0]	Port 24 Meter Threshold Control, default 000							
	000	001	010	011	100	101	110	111

Configuration	Description							
	64K	128K	256K	512K	1M	4M	10M	20M
Bit [3]	Port 24 Receive Packet Length Counted on the Source Port, default 0 0 = The switch will add length to the P24 counter.							
Bit [6:4]	Port 25 Meter Threshold Control, default 000							
	000	001	010	011	100	101	110	111
	64K	128K	256K	512K	1M	4M	10M	20M
Bit [7]	Port 25 Receive Packet Length Counted on the Source Port, default 0 0 = The switch will add length to the P25 counter.							

3.2.17 Bandwidth Control Enable Register Low (Index: 7fh)

Configuration	Description	Default
Bit [0]	Bandwidth Control Enable for Port 0. 1 = Port 0 enables the bandwidth control. 0 = Port 0 disables the bandwidth control.	1'b0
Bit[1]	Bandwidth Control Enable for Port 1.	1'b0
Bit[2]	Bandwidth Control Enable for Port 2.	1'b0
Bit[3]	Bandwidth Control Enable for Port 3.	1'b0
Bit[4]	Bandwidth Control Enable for Port 4.	1'b0
Bit[5]	Bandwidth Control Enable for Port 5.	1'b0
Bit[6]	Bandwidth Control Enable for Port 6.	1'b0
Bit[7]	Bandwidth Control Enable for Port 7.	1'b0
Bit[8]	Bandwidth Control Enable for Port 8.	1'b0
Bit[9]	Bandwidth Control Enable for Port 9.	1'b0
Bit[10]	Bandwidth Control Enable for Port 10.	1'b0
Bit[11]	Bandwidth Control Enable for Port 11.	1'b0
Bit[12]	Bandwidth Control Enable for Port 12.	1'b0
Bit[13]	Bandwidth Control Enable for Port 13.	1'b0
Bit[14]	Bandwidth Control Enable for Port 14.	1'b0
Bit[15]	Bandwidth Control Enable for Port 15.	1'b0

3.2.18 Bandwidth Control Enable Register High (Index: 80h)

Configuration	Description	Default
Bit [0]	Bandwidth Control Enable for Port 16.	1'b0
Bit [1]	Bandwidth Control Enable for Port 17.	1'b0
Bit [2]	Bandwidth Control Enable for Port 18.	1'b0
Bit [3]	Bandwidth Control Enable for Port 19.	1'b0
Bit [4]	Bandwidth Control Enable for Port 20.	1'b0
Bit [5]	Bandwidth Control Enable for Port 21.	1'b0
Bit [6]	Bandwidth Control Enable for Port 22.	1'b0
Bit [7]	Bandwidth Control Enable for Port 23.	1'b0
Bit [8]	Bandwidth Control Enable for Port 24.	1'b0
Bit [9]	Bandwidth Control Enable for Port 25.	1'b0

3.2.19 Reserved Registers (Index: 81h~8ah)

Configuration	Description	Default
Bit [15:0]	Reserved for the future use and don't modify the values.	See Sec.3.2 EEPROM Register

3.2.20 Customized PHY Control Group 0 (Index: 8bh)

Configuration	Description	Default
Bit [4:0]	Register Address of the Command 0.	5'b00000
Bit [7:5]	PHY Address of the Command 0 if Bit[2:0] in PHY Customized Enable Register = 3'b001 or 3'b011. 000 = The switch will write command 0 into Port 0 (PHY Address = 32'h8). 001 = The switch will write command 0 into Port 1 (PHY Address = 32'h9). 010 = The switch will write command 0 into Port 2 (PHY Address = 32'ha). 011 = The switch will write command 0 into Port 3 (PHY Address = 32'hb). 100 = The switch will write command 0 into Port 4 (PHY Address = 32'hc). 101 = The switch will write command 0 into Port 5 (PHY Address = 32'hd). 110 = The switch will write command 0 into Port 6 (PHY Address = 32'he). 111 = The switch will write command 0 into Port 7 (PHY Address = 32'hf).	3'b000
Bit [12:8]	Register Address of the Command 1.	5'b00000
Bit [15:13]	PHY Address of the Command 1 if Bit[2:0] in PHY Customized Enable Register = 3'b010 or 3'b011 000 = The switch will write command 1 into Port 0 (PHY Address = 32'h8). 001 = The switch will write command 1 into Port 1 (PHY Address = 32'h9). 010 = The switch will write command 1 into Port 2 (PHY Address = 32'ha). 011 = The switch will write command 1 into Port 3 (PHY Address = 32'hb). 100 = The switch will write command 1 into Port 4 (PHY Address = 32'hc). 101 = The switch will write command 1 into Port 5 (PHY Address = 32'hd). 110 = The switch will write command 1 into Port 6 (PHY Address = 32'he). 111 = The switch will write command 1 into Port 7 (PHY Address = 32'hf).	3'b000

Note:

The ADM6926 supports eight additional commands for the customer to configure the PHY attached. Four groups are defined and each group shares two commands. Group 0 contains P0, P1, P2, P3, P4, P5, P6 and P7. Group 1 contains P8, P9, P10, P11, P12, P13, P14 and P15. Group 2 contains P16, P17, P18, P19, P20, P21, P22 and P23. Group 3 contains P24 and P25. 3 bits enable register is associated with each group. Each command is associated with a PHY address, a register address, and data for writing.

3.2.21 Customized PHY Control Group 1 (Index: 8ch)

Configuration	Description	Default
Bit [4:0]	Register Address of the Command 2.	5'b00000
Bit [7:5]	PHY Address of the Command 2 (Bit[5:3] in PHY Customized Enable Register = 3'b001 or 3'b011) 000 = The switch will write command 2 into Port 8 (PHY Address = 32'h10). 001 = The switch will write command 2 into Port 9 (PHY Address = 32'h11). 010 = The switch will write command 2 into Port 10 (PHY Address = 32'h12). 011 = The switch will write command 2 into Port 11 (PHY Address = 32'h13). 100 = The switch will write command 2 into Port 12 (PHY Address = 32'h14). 101 = The switch will write command 2 into Port 13 (PHY Address = 32'h15). 110 = The switch will write command 2 into Port 14 (PHY Address = 32'h16). 111 = The switch will write command 2 into Port 15 (PHY Address = 32'h17).	3'b000
Bit [12:8]	Register Address of the Command 3.	5'b00000
Bit [15:13]	PHY Address of the Command 3 (Bit[5:3] in PHY Customized Enable Register = 3'b010 or 3'b011) 000 = The switch will write command 3 into Port 8 (PHY Address = 32'h10). 001 = The switch will write command 3 into Port 9 (PHY Address = 32'h11). 010 = The switch will write command 3 into Port 10 (PHY Address = 32'h12). 011 = The switch will write command 3 into Port 11 (PHY Address = 32'h13). 100 = The switch will write command 3 into Port 12 (PHY Address = 32'h14). 101 = The switch will write command 3 into Port 13 (PHY Address = 32'h15).	3'b000

Configuration	Description	Default
	110 = The switch will write command 3 into Port 14 (PHY Address = 32'h16). 111 = The switch will write command 3 into Port 15 (PHY Address = 32'h17).	

3.2.22 Customized PHY Control Group 2 (Index: 8dh)

Configuration	Description	Default
Bit [4:0]	Register Address of the Command 4.	5'b00000
Bit [7:5]	PHY Address of the Command 4 (Bit[8:6] in PHY Customized Enable Register = 3'b001 or 3'b011) 000 = The switch will write command 4 into Port 16 (PHY Address = 32'h18). 001 = The switch will write command 4 into Port 17 (PHY Address = 32'h19). 010 = The switch will write command 4 into Port 18 (PHY Address = 32'h1a). 011 = The switch will write command 4 into Port 19 (PHY Address = 32'h1b). 100 = The switch will write command 4 into Port 20 (PHY Address = 32'h1c). 101 = The switch will write command 4 into Port 21 (PHY Address = 32'h1d). 110 = The switch will write command 4 into Port 22 (PHY Address = 32'h1e). 111 = The switch will write command 4 into Port 23 (PHY Address = 32'h1f).	3'b000
Bit [12:8]	Register Address of the Command 5.	5'b00000
Bit [15:13]	PHY Address of the Command 5 (Bit[8:6] in PHY Customized Enable Register = 3'b010 or 3'b011) 000 = The switch will write command 5 into Port 16 (PHY Address = 32'h18). 001 = The switch will write command 5 into Port 17 (PHY Address = 32'h19). 010 = The switch will write command 5 into Port 18 (PHY Address = 32'h1a). 011 = The switch will write command 5 into Port 19 (PHY Address = 32'h1b). 100 = The switch will write command 5 into Port 20 (PHY Address = 32'h1c). 101 = The switch will write command 5 into Port 21 (PHY Address = 32'h1d). 110 = The switch will write command 5 into Port 22 (PHY Address = 32'h1e). 111 = The switch will write command 5 into Port 23 (PHY Address = 32'h1f).	3'b000

3.2.23 Customized PHY Control Group 3 (Index: 8eh)

Configuration	Description	Default
Bit [4:0]	Register Address of the Command 6.	5'b00000
Bit [5]	PHY Address of the Command 6 (Bit[11:9] in PHY Customized Enable Register = 3'b001 or 3'b011) 0 = The switch will write command 6 into Port 24 (PHY Address = 32'h6). 1 = The switch will write command 6 into Port 25 (PHY Address = 32'h7).	3'b000
Bit [12:8]	Register Address of the Command 7.	5'b00000
Bit [13]	PHY Address of the Command 7 (Bit[11:9] in PHY Customized Enable Register = 3'b010 or 3'b011) 0 = The switch will write command 7 into Port 24 (PHY Address = 32'h6). 1 = The switch will write command 7 into Port 25 (PHY Address = 32'h7).	3'b000

3.2.24 Group 0 PHY Customized DATA 0 (Index: 8fh)

Configuration	Description	Default
Bit [15:0]	Data for Command 0	0000h

3.2.25 Group 0 PHY Customized DATA 1 (Index: 90h)

Configuration	Description	Default
Bit [15:0]	Data for Command 1	0000h

3.2.26 Group 1 PHY Customized DATA 0 (Index: 91h)

Configuration	Description	Default
Bit [15:0]	Data for Command 2	0000h

3.2.27 Group 1 PHY Customized DATA 1 (Index: 92h)

Configuration	Description	Default
Bit [15:0]	Data for Command 3	0000h

3.2.28 Group 2 PHY Customized DATA 0 (Index: 93h)

Configuration	Description	Default
Bit [15:0]	Data for Command 4	0000h

3.2.29 Group 2 PHY Customized DATA 1 (Index: 94h)

Configuration	Description	Default
Bit [15:0]	Data for Command 5	0000h

3.2.30 Group 3 PHY Customized DATA 0 (Index: 95h)

Configuration	Description	Default
Bit [15:0]	Data for Command 6	0000h

3.2.31 Group 3 PHY Customized DATA 1 (Index: 96h)

Configuration	Description	Default
Bit [15:0]	Data for Command 7	0000h

3.2.32 PHY Customized Enable Register (Index: 97h)

Configuration	Description	Default
Bit[2:0]	PHY Customized Enable For Group 0. 000 = Disable writing additional commands into any PHYs in Group 0. 001 = Write command 0 into related port specified by the Customized PHY Control Group 0. 010 = Write command 1 into related port specified by the Customized PHY Control Group 0. 100 = Disable writing additional commands into any PHYs in Group 0. 101 = Write command 0 into all PHYs in Group 0. 110 = Write command 1 into all PHYs in Group 0. 111 = Write command 0 and command 1 into all PHYs in Group 0.	3'b000
Bit[5:3]	PHY Customized Enable For Group 1. 000 = Disable writing additional commands into any PHYs in Group 1. 001 = Write command 2 into related port specified by the Customized PHY Control Group 1. 010 = Write command 3 into related port specified by the Customized PHY Control Group 1. 100 = Disable writing additional commands into any PHYs in Group 1. 101 = Write command 2 into all PHYs in Group 1. 110 = Write command 3 into all PHYs in Group 1. 111 = Write command 2 and command 3 into all PHYs in Group 1.	3'b000
Bit[8:6]	PHY Customized Enable For Group 2. 000 = Disable writing additional commands into any PHYs in Group 2. 001 = Write command 4 into related port specified by the Customized PHY Control	3'b000

Configuration	Description	Default
	Group 2. 010 = Write command 5 into related port specified by the Customized PHY Control Group 2. 100 = Disable writing additional commands into any PHYs in Group 2. 101 = Write command 4 into all PHYs in Group 2. 110 = Write command 5 into all PHYs in Group 2. 111 = Write command 5 and command 5 into all PHYs in Group 2.	
Bit[11:9]	PHY Customized Enable For Group 3. 000 = Disable writing additional commands into any PHYs in Group 3. 001 = Write command 6 into related port specified by the Customized PHY Control Group 3. 010 = Write command 7 into related port specified by the Customized PHY Control Group 3. 100 = Disable writing additional commands into any PHYs in Group 3. 101 = Write command 6 into all PHYs in Group 3. 110 = Write command 7 into all PHYs in Group 3. 111 = Write command 6 and command 7 into all PHYs in Group 3.	3'b000

3.2.33 PPPOE Control Register0 (Index: 98h)

Configuration	Description	Default
Bit [0]	Enable Port 0 to Transmit PPPoE Packet Only. The ADM6926 will recognize packets with length-type = 16'h8863 or 16'h8864 as the PPPOE packets. 1 = The port 0 is configured to transmit PPPOE packets only. 0 = The port 0 is not configured to transmit PPPOE packets only.	1'b0
Bit [1]	Enable Port 1 to Transmit PPPoE Packet Only.	1'b0
Bit [2]	Enable Port 2 to Transmit PPPoE Packet Only.	1'b0
Bit [3]	Enable Port 3 to Transmit PPPoE Packet Only.	1'b0
Bit [4]	Enable Port 4 to Transmit PPPoE Packet Only.	1'b0
Bit [5]	Enable Port 5 to Transmit PPPoE Packet Only.	1'b0
Bit [6]	Enable Port 6 to Transmit PPPoE Packet Only.	1'b0
Bit [7]	Enable Port 7 to Transmit PPPoE Packet Only.	1'b0
Bit [8]	Enable Port 8 to Transmit PPPoE Packet Only.	1'b0
Bit [9]	Enable Port 9 to Transmit PPPoE Packet Only.	1'b0
Bit [10]	Enable Port 10 to Transmit PPPoE Packet Only.	1'b0
Bit [11]	Enable Port 11 to Transmit PPPoE Packet Only.	1'b0
Bit [12]	Enable Port 12 to Transmit PPPoE Packet Only.	1'b0
Bit [13]	Enable Port 13 to Transmit PPPoE Packet Only.	1'b0
Bit [14]	Enable Port 14 to Transmit PPPoE Packet Only.	1'b0
Bit [15]	Enable Port 15 to Transmit PPPoE Packet Only.	1'b0

3.2.34 PPPOE Control Register 1 (Index: 99h)

Configuration	Description	Default
Bit [0]	Enable Port 16 to Transmit PPPoE Packet Only.	1'b0
Bit [1]	Enable Port 17 to Transmit PPPoE Packet Only.	1'b0
Bit [2]	Enable Port 18 to Transmit PPPoE Packet Only.	1'b0
Bit [3]	Enable Port 19 to Transmit PPPoE Packet Only.	1'b0
Bit [4]	Enable Port 20 to Transmit PPPoE Packet Only.	1'b0
Bit [5]	Enable Port 21 to Transmit PPPoE Packet Only.	1'b0
Bit [6]	Enable Port 22 to Transmit PPPoE Packet Only.	1'b0
Bit [7]	Enable Port 23 to Transmit PPPoE Packet Only.	1'b0
Bit [8]	Enable Port 24 to Transmit PPPoE Packet Only.	1'b0
Bit [9]	Enable Port 25 to Transmit PPPoE Packet Only.	1'b0
Bit [10]	Enable Management Packet Cross PPPOE PORT Function.	1'b0

Configuration	Description	Default
	1 = Management packets could be transmitted by any port even if it is configured to PPPOE port. 0 = Management packets could not be transmitted by the PPPOE port.	

3.2.35 PHY Control Register 0 (Index: 9ah)

Configuration	Description	Default
Bit[0]	1 = PHY attached to port 0 acts as the master. That is the switch will not configure the PHY attached and it will only poll the PHY to know the state that PHY operates. 0 = PHY acts as the slave. The switch will use the setting in the eeprom register to manage PHY attached.	1'b0
Bit[1]	1 = PHY attached to port 1 acts as the master. 0 = PHY acts as the slave	1'b0
Bit[2]	1 = PHY attached to port 2 acts as the master. 0 = PHY acts as the slave.	1'b0
Bit[3]	1 = PHY attached to port 3 acts as the master. 0 = PHY acts as the slave.	1'b0
Bit[4]	1 = PHY attached to port 4 acts as the master. 0 = PHY acts as the slave.	1'b0
Bit[5]	1 = PHY attached to port 5 acts as the master. 0 = PHY acts as the slave.	1'b0
Bit[6]	1 = PHY attached to port 6 acts as the master. 0 = PHY acts as the slave.	1'b0
Bit[7]	1 = PHY attached to port 7 acts as the master. 0 = PHY acts as the slave.	1'b0
Bit[8]	1 = PHY attached to port 8 acts as the master. 0 = PHY acts as the slave.	1'b0
Bit[9]	1 = PHY attached to port 9 acts as the master. 0 = PHY acts as the slave.	1'b0
Bit[10]	1 = PHY attached to port 10 acts as the master. 0 = PHY acts as the slave.	1'b0
Bit[11]	1 = PHY attached to port 11 acts as the master. 0 = PHY acts as the slave.	1'b0
Bit[12]	1 = PHY attached to port 12 acts as the master. 0 = PHY acts as the slave.	1'b0
Bit[13]	1 = PHY attached to port 13 acts as the master 0 = PHY acts as the slave.	1'b0
Bit[14]	1 = PHY attached to port 14 acts as the master. 0 = PHY acts as the slave.	1'b0
Bit[15]	1 = PHY attached to port 15 acts as the master. 0 = PHY acts as the slave.	1'b0

3.2.36 PHY Control Register 1 (Index: 9bh)

Configuration	Description	Default
Bit[0]	1 = PHY attached to port 16 acts as the master. 0 = PHY actives as the slave.	1'b0
Bit[1]	1 = PHY attached to port 17 acts as the master. 0 = PHY actives as the slave.	1'b0
Bit[2]	1 = PHY attached to port 18 acts as the master. 0 = PHY actives as the slave.	1'b0
Bit[3]	1 = PHY attached to port 19 acts as the master. 0 = PHY actives as the slave.	1'b0
Bit[4]	1 = PHY attached to port 20 acts as the master.	1'b0

Configuration	Description	Default
	0 = PHY actives as the slave.	
Bit[5]	1 = PHY attached to port 21 acts as the master. 0 = PHY actives as the slave.	1'b0
Bit[6]	1 = PHY attached to port 22 acts as the master 0 = PHY actives as the slave.	1'b0
Bit[7]	1 = PHY attached to port 23 acts as the master. 0 = PHY actives as the slave.	1'b0
Bit[8]	1 = PHY attached to port 24 acts as the master. 0 = PHY actives as the slave.	1'b0
Bit[9]	1 = PHY attached to port 25 acts as the master. 0 = PHY actives as the slave.	1'b0

3.2.37 Disable MDIO Active Register 0 (Index: 9ch)

Configuration	Description	default
Bit[0]	Port 0 Bypass MDIO Function Enable. 1 = Bypass MDIO Enable. The effect by the function is as follows: 1.2 Link Status: Port 0 is forced to link up unless the port is disabled or the spanning tree is in disabled state. 1.3 Speed Status: Port 0 is configured to Bit [6] in the Port Configuration Register. 1.4 Duplex Status: Port 0 is configured to Bit [7] in the Port Configuration Register. 1.5 Pause Status: Port 0 is configured to Bit [4] in the Port Configuration Register. 1.6 Back Pressure Status. Port 0 is configured to Bit[15] in the Port Configuration Register. 0 = Bypass MDIO Disable. The status is dominated by the MDC/MDIO function except the linkup status, which may be disabled, by the port disable function or the spanning protocol.	1'b0
Bit[1]	Port 1 Bypass MDIO Function Enable.	1'b0
Bit[2]	Port 2 Bypass MDIO Function Enable.	1'b0
Bit[3]	Port 3 Bypass MDIO Function Enable.	1'b0
Bit[4]	Port 4 Bypass MDIO Function Enable.	1'b0
Bit[5]	Port 5 Bypass MDIO Function Enable.	1'b0
Bit[6]	Port 6 Bypass MDIO Function Enable.	1'b0
Bit[7]	Port 7 Bypass MDIO Function Enable.	1'b0
Bit[8]	Port 8 Bypass MDIO Function Enable.	1'b0
Bit[9]	Port 9 Bypass MDIO Function Enable.	1'b0
Bit[10]	Port 10 Bypass MDIO Function Enable.	1'b0
Bit[11]	Port 11 Bypass MDIO Function Enable.	1'b0
Bit[12]	Port 12 Bypass MDIO Function Enable.	1'b0
Bit[13]	Port 13 Bypass MDIO Function Enable.	1'b0
Bit[14]	Port 14 Bypass MDIO Function Enable.	1'b0
Bit[15]	Port 15 Bypass MDIO Function Enable.	1'b0

3.2.38 Disable MDIO Active Register 1 (Index: 9dh)

Configuration	Description	Default
Bit[0]	Port 16 Bypass MDIO Function Enable.	1'b0
Bit[1]	Port 17 Bypass MDIO Function Enable.	1'b0
Bit[2]	Port 18 Bypass MDIO Function Enable.	1'b0
Bit[3]	Port 19 Bypass MDIO Function Enable.	1'b0
Bit[4]	Port 20 Bypass MDIO Function Enable.	1'b0

Configuration	Description	Default
Bit[5]	Port 21 Bypass MDIO Function Enable.	1'b0
Bit[6]	Port 22 Bypass MDIO Function Enable.	1'b0
Bit[7]	Port 23 Bypass MDIO Function Enable.	1'b0
Bit[8]	Port 24 Bypass MDIO Function Enable.	1'b0
Bit[9]	Port 25 Bypass MDIO Function Enable.	1'b0

3.2.39 Port Disable Register 0 (Index: 9eh)

Configuration	Description	Default
Bit [0]	Port 0 Disable Receive and Transmit. 1 = The port will not receive or transmit packets. Learning is disabled in the disabled port. 0 = The port acts as the normal mode.	1'b0
Bit[1]	Port 1 Disable Receive and Transmit.	1'b0
Bit[2]	Port 2 Disable Receive and Transmit.	1'b0
Bit[3]	Port 3 Disable Receive and Transmit.	1'b0
Bit[4]	Port 4 Disable Receive and Transmit.	1'b0
Bit[5]	Port 5 Disable Receive and Transmit.	1'b0
Bit[6]	Port 6 Disable Receive and Transmit.	1'b0
Bit[7]	Port 7 Disable Receive and Transmit.	1'b0
Bit[8]	Port 8 Disable Receive and Transmit.	1'b0
Bit[9]	Port 9 Disable Receive and Transmit.	1'b0
Bit[10]	Port 10 Disable Receive and Transmit.	1'b0
Bit[11]	Port 11 Disable Receive and Transmit.	1'b0
Bit[12]	Port 12 Disable Receive and Transmit.	1'b0
Bit[13]	Port 13 Disable Receive and Transmit.	1'b0
Bit[14]	Port 14 Disable Receive and Transmit.	1'b0
Bit[15]	Port 15 Disable Receive and Transmit.	1'b0

3.2.40 Port Disable Register 1 (Index: 9fh)

Configuration	Description	Default
Bit[0]	Port 16 Disable Receive and Transmit.	1'b0
Bit[1]	Port 17 Disable Receive and Transmit.	1'b0
Bit[2]	Port 18 Disable Receive and Transmit.	1'b0
Bit[3]	Port 19 Disable Receive and Transmit.	1'b0
Bit[4]	Port 20 Disable Receive and Transmit.	1'b0
Bit[5]	Port 21 Disable Receive and Transmit.	1'b0
Bit[6]	Port 22 Disable Receive and Transmit.	1'b0
Bit[7]	Port 23 Disable Receive and Transmit.	1'b0
Bit[8]	Port 24 Disable Receive and Transmit.	1'b0
Bit[9]	Port 25 Disable Receive and Transmit.	1'b0

3.2.41 IGMP Snooping Control Register 0 (Index: a0h)

Configuration	Description	Default
Bit [0]	Port 0 Enable IGMP Snooping Function. The packets with the header (DA = 01005exxxxxx, Length_Type = 0800, IP version = 4, and Protocol type = 2) will be recognized as the IGMP packets, and the switch will forward it to the CPU port. 1 = The port 0 is configured to enable IGMP Snooping Function. The port 0 is not configured to enable IGMP Snooping Function. And the IGMP packets will be handled as the normal multicast packets.	1'b0
Bit[1]	Port 1 Enable IGMP Snooping Function.	1'b0

Configuration	Description	Default
Bit[2]	Port 2 Enable IGMP Snooping Function.	1'b0
Bit[3]	Port 3 Enable IGMP Snooping Function.	1'b0
Bit[4]	Port 4 Enable IGMP Snooping Function.	1'b0
Bit[5]	Port 5 Enable IGMP Snooping Function.	1'b0
Bit[6]	Port 6 Enable IGMP Snooping Function.	1'b0
Bit[7]	Port 7 Enable IGMP Snooping Function.	1'b0
Bit[8]	Port 8 Enable IGMP Snooping Function.	1'b0
Bit[9]	Port 9 Enable IGMP Snooping Function.	1'b0
Bit[10]	Port 10 Enable IGMP Snooping Function.	1'b0
Bit[11]	Port 11 Enable IGMP Snooping Function.	1'b0
Bit[12]	Port 12 Enable IGMP Snooping Function.	1'b0
Bit[13]	Port 13 Enable IGMP Snooping Function.	1'b0
Bit[14]	Port 14 Enable IGMP Snooping Function.	1'b0
Bit[15]	Port 15 Enable IGMP Snooping Function.	1'b0

3.2.42 IGMP Snooping Control Register 1 (Index: a1h)

Configuration	Description	Default
Bit[0]	Port 16 Enable IGMP Snooping Function.	1'b0
Bit[1]	Port 17 Enable IGMP Snooping Function.	1'b0
Bit[2]	Port 18 Enable IGMP Snooping Function.	1'b0
Bit[3]	Port 19 Enable IGMP Snooping Function.	1'b0
Bit[4]	Port 20 Enable IGMP Snooping Function.	1'b0
Bit[5]	Port 21 Enable IGMP Snooping Function.	1'b0
Bit[6]	Port 22 Enable IGMP Snooping Function.	1'b0
Bit[7]	Port 23 Enable IGMP Snooping Function.	1'b0
Bit[8]	Port 24 Enable IGMP Snooping Function.	1'b0
Bit[9]	Port 25 Enable IGMP Snooping Function.	1'b0
Bit[11:10]	<p>Multicast Control Register. Packets with the following conditions will follow the Multicast Control Register to handle packets.</p> <p>Conditions:</p> <ul style="list-style-type: none"> 1. Destination address is not found in the address table. AND 2. Destination address is a multicast address. AND Destination address is not all 1'b1. AND Destination address is not a reserved address(0180c2000~~). OR IGMP packets received by the port which disables the IGMP function. <p>Multicast Control Action</p> <ul style="list-style-type: none"> 00 = Forward to all ports within the same forwarding group except the self port. 01 = Send to the CPU port. 10 = Discard. 11 = Reserved. 	1'b0

3.2.43 CPU Control Register (Index: a2h)

Configuration	Description	Default								
Bit [4:0]	<p>CPU Port Number. The ADM6926 allows any port to be configured to be the CPU port. The default CPU port is port 31. That is CPU port is not present.</p> <table border="1" style="width: 100%; border-collapse: collapse;"> <tr> <td style="width: 50%;">00000 = CPU port is configured to port 0.</td> <td style="width: 50%;">00001 = CPU port is configured to port 1.</td> </tr> <tr> <td>00010 = CPU port is configured to port 2.</td> <td>00011 = CPU port is configured to port 3.</td> </tr> <tr> <td>00100 = CPU port is configured to port 4.</td> <td>00101 = CPU port is configured to port 5.</td> </tr> <tr> <td>00110 = CPU port is configured to port 6.</td> <td>00111 = CPU port is configured to port 7.</td> </tr> </table>	00000 = CPU port is configured to port 0.	00001 = CPU port is configured to port 1.	00010 = CPU port is configured to port 2.	00011 = CPU port is configured to port 3.	00100 = CPU port is configured to port 4.	00101 = CPU port is configured to port 5.	00110 = CPU port is configured to port 6.	00111 = CPU port is configured to port 7.	5'b11111
00000 = CPU port is configured to port 0.	00001 = CPU port is configured to port 1.									
00010 = CPU port is configured to port 2.	00011 = CPU port is configured to port 3.									
00100 = CPU port is configured to port 4.	00101 = CPU port is configured to port 5.									
00110 = CPU port is configured to port 6.	00111 = CPU port is configured to port 7.									

Configuration	Description	Default	
	01000 = CPU port is configured to port 8. 01010 = CPU port is configured to port 10. 01100 = CPU port is configured to port 12 01110 = CPU port is configured to port 14. 10000 = CPU port is configured to port 16. 10010 = CPU port is configured to port 18. 10100 = CPU port is configured to port 20 10110 = CPU port is configured to port 22. 11000 = CPU port is configured to port 24	01001 = CPU port is configured to port 9. 01011 = CPU port is configured to port 11. 01101 = CPU port is configured to port 13. 01111 = CPU port is configured to port 15. 10001 = CPU port is configured to port 17. 10011 = CPU port is configured to port 19. 10101 = CPU port is configured to port 21. 10111 = CPU port is configured to port 23. 11001 = CPU port is configured to port 25.	
Bit[5]	Enable receive 8-byte special tag from the CPU port to support IGMP snooping, spanning tree or the security function. 1 = CPU will transmit packets with additional 8-byte special TAG and the ADM6926 will remove this special TAG, use information contained to forward packets and recalculate CRC value when this packet is re-transmitted. 0 = CPU will transmit packets as the normal state.	1'b0	
Bit[6]	Enable transmit 4-byte special tag to the CPU port to support IGMP snooping, spanning tree or the security function. 1 = ADM6926 will insert addition 4-byte special TAG when it has packets to be transmitted to the CPU port. 0 = ADM6926 will transmit packets as the normal mode.	1'b0	
Bit[7]	Enable insert 4-byte special tag when Pause happens and Bit[6] is enabled. 1 = ADM6926 will add 4-byte special TAG when pause happens. 0 = ADM6926 will add 4-byte special TAG when pause happens.	1'b0	
Bit[10:8]	Reserved.	3'b000	
Bit [12:11]	Learning Group. ADM6926 has an ability to learn packets according their forwarding groups. The ADM6926 could be divided into 32 learning groups. We use L0, L1, ...and L31 to call each learning group. 0x = Normal mode, learning with SA only 10 = MAC Clone mode, learning with SA and VID[0]. When packets are received and could be learned, they are learned divided into two Groups. Even forwarding groups are learned into L0 and odd forwarding groups are learned into L1. 11 = Learning with SA and VID[4:0]. When packets are received and could be learned, they are learned according to their forwarding group. That is packets belonging to F0 is learned into L0, packets belonging to F1 is learned into L1,..., and packets belonging to F31 is leaned into L31.	2'b00	
Bit [13]	Disable CPU Port Learning Function. 1 = The packets received from the CPU port will not be learned. 0 = The packets received from the CPU port will be learned.	1'b0	

3.2.44 Special MAC Forward Control Register 0 (Index: a3h)

Configuration	Description	Default
Bit[1:0]	The forwarding option for destination address = 48'h0180c2000000 (BPDU)	2'b00
Bit[3:2]	The forwarding option for destination address = 0180c2000001 (Reserved for Pause address), MAC control field = 8808, OP Code != 0001.	2'b01
Bit[5:4]	The forwarding option for destination address = 48'h0180c2000002 (Slow Protocol)	2'b00
Bit[7:6]	The forwarding option for destination address = 0180c2000003 (802.1x PAE address)	2'b00
Bit[9:8]	The forwarding option for destination address = 0180c2000004 ~0180c200000f	2'b00
Bit[11:10]	The forwarding option for destination address = 0180c2000010~0180c200001f	2'b00
Bit[13:12]	The forwarding option for destination address = 0180c2000020~0180c2000022 (GMRP, GVRP, GARP)	2'b00
Bit[15:14]	The forwarding option for destination address = 0180c2000023~0180c20000ff	2'b00

Note:

1. The options are defined here:

00 = The switch will forward the packets as the normal mode. That is for reserved addresses existed in the learning table (because reserved address is multicast address, it could only be created through the CPU help if it really exists in the learning table). We will use “output port field” as the index to lookup the multicast table. At last, the looked output port map (may be modified by the forwarding process) is used as the output ports to forward packets. For reserved addresses, which don’t exist in the learning table, it will be broadcast to the forwarding group except the receiving port.

01 = The switch will discard the packets.

10 = The switch will forward the packets to the CPU port. If the packet is received from the CPU port, the packet will be forwarded as the normal mode.

11 = The switch will forward the packet to CPU port. If this packet is received from CPU Port, this packet will be discard.

2. The forwarding options stated above will be of no effect for the CPU port when users enable the “Special Tag Function” and its output vector field is valid.

3.2.45 Special MAC Forward Control Register 2 (Index: a4h)

Configuration	Description	Default
Bit[1:0]	The forwarding option for destination address = 48’h0180c2000000 (BPDU)	2’b11
Bit[3:2]	Reserved.	2’b00
Bit[5:4]	The forwarding option for destination address = 48’h0180c2000002 (Slow Protocol)	2’b00
Bit[7:6]	The forwarding option for destination address = 0180c2000003 (802.1x PAE address)	2’b00
Bit[9:8]	The forwarding option for destination address = 0180c2000004 ~0180c200000f	2’b00
Bit[11:10]	The forwarding option for destination address = 0180c2000010~0180c200001f	2’b00
Bit[13:12]	The forwarding option for destination address = 0180c2000020~0180c2000022 (GMRP, GVRP, GARP)	2’b00
Bit[15:14]	The forwarding option for destination address = 0180c2000023~0180c20000ff	2’b00

Note:

The ADM6926 will divide packets into management or unmanagement packets.

Management packets will not be dropped even if the buffer is full for no flow control environment. Only management packets will be forwarded or received in Blocking-N-Listening or the Learning state.

The options are defined here:

00 = The packets will not be classified as the management packets and it will be treated as the normal packet.

01 = The packets will be classified as the management packets and it will be transmitted no modified.

10 = The packets will be classified as the management packets and it will be transmitted without tag.

11 = The packets will be classified as the management packets and it will be transmitted with tag or without tag as the system configuration.

3.2.46 Special MAC Forward Control Register 2 (Index: a5h)

Configuration	Description	Default
Bit[0]	The forwarding option for destination address = 48’h0180c2000000 (BPDU)	1’b0
Bit[1]	Reserved.	1’b0

Configuration	Description	Default
Bit[2]	The forwarding option for destination address = 48'h0180c2000002 (Slow Protocol)	1'b0
Bit[3]	The forwarding option for destination address = 0180c2000003 (802.1x PAE address)	1'b0
Bit[4]	The forwarding option for destination address = 0180c2000004 ~0180c200000f	1'b0
Bit[5]	The forwarding option for destination address = 0180c2000010~0180c200001f	1'b0
Bit[6]	The forwarding option for destination address = 0180c2000020~0180c2000022 (GMRP, GVRP, GARP)	1'b0
Bit[7]	The forwarding option for destination address = 0180c2000023~0180c20000ff	1'b0

Note:

The options are defined here:

1 = The packets will cross forwarding group.

0 = The packets will not cross the forwarding packet.

3.2.47 Trunking Enable Register 0 (Index: a6h)

Configuration	Description	Default
Bit[0]	Port 0 Trunking Enable. The ADM6926 supports one trunking port. Any port could be assigned to the trunking port. The trunking function is of the effect only the trunking hardware setting = 1. 1 = Port 0 is assigned to a member of the trunking port. 0 = Port 0 is not assigned to a member of the trunking port.	1'b0
Bit[1]	1 Trunking Enable.	1'b0
Bit[2]	2 Trunking Enable.	1'b0
Bit[3]	3 Trunking Enable.	1'b0
Bit[4]	4 Trunking Enable.	1'b0
Bit[5]	5 Trunking Enable.	1'b0
Bit[6]	6 Trunking Enable.	1'b0
Bit[7]	7 Trunking Enable.	1'b0
Bit[8]	8 Trunking Enable.	1'b0
Bit[9]	9 Trunking Enable.	1'b0
Bit[10]	10 Trunking Enable.	1'b0
Bit[11]	11 Trunking Enable.	1'b0
Bit[12]	12 Trunking Enable.	1'b0
Bit[13]	13 Trunking Enable.	1'b0
Bit[14]	14 Trunking Enable.	1'b0
Bit[15]	15 Trunking Enable.	1'b0

3.2.48 Trunking Enable Register 1 (Index: a7h)

Configuration	Description	Default
Bit[0]	16 Trunking Enable.	1'b0
Bit[1]	17 Trunking Enable.	1'b0
Bit[2]	18 Trunking Enable.	1'b0
Bit[3]	19 Trunking Enable.	1'b0
Bit[4]	20 Trunking Enable.	1'b0
Bit[5]	21 Trunking Enable.	1'b0
Bit[6]	22 Trunking Enable.	1'b0
Bit[7]	23 Trunking Enable.	1'b0
Bit[8]	24 Trunking Enable.	1'b0
Bit[9]	25 Trunking Enable.	1'b0

3.3 Switch Register Map

Offset Hex	Bit 31 ~ 0	Type
0h	Version ID	RO
1h	Link Status	RO
2h	Speed Status	RO
3h	Duplex Status	RO
4h	Flow Control Status	RO
5h	Address Table Control Register 0	RW
6h	Address Table Control Register 1	RW
7h	Address Table Control Register 2	RW
8h	Address Table Status Register 0	RO
9h	Address Table Status Register 1	RO
ah	Address Table Status Register 2	RO
bh	PHY Control/Status Register	RW
ch	Reserved	RO
dh	Hardware Status	RO
eh	RxPKT Overflow	ROC
fh	RxLEN Overflow	ROC
10h	TxPKT Overflow	ROC
11h	TxLEN Overflow	ROC
12h	RxERR Overflow	ROC
13h	RxCOL Overflow	ROC
14h	Renew Counter Register	RW
15h	Read Counter Control Register	RW
16h	Read Counter Status Register	RO
17h	Reload MDIO Register	RW
18h	P0 ~ P15 Spanning Tree Port State	RW
19h	P16 ~ P25 Spanning Tree Port State	RW
1ah	Source Port Register	RO
1bh	Transmit Port Register	RW
1ch	Buffer Status Register 0	ROC
1dh	Buffer Status Register 1	ROC
1eh	Buffer Status Register 2	ROC
1fh	Buffer Status Register 3	ROC
1xxh	Counter Register	RW
2xxh	EEPROM Register	RW

3.3.1 Version ID (Offset: 0h)

Configuration	Description	
Bit[19:4]	Project Code	16'h3110
Bit[3:0]	Version Code	4'h0

3.3.2 Link Status (Offset: 1h)

Configuration	Description	Default
Bit[0]	Port 0 Link Status 1 = Port 0 links up. 0 = Port 0 links down.	1'b0
Bit[1]	Port 1 Link Status	1'b0
Bit[2]	Port 2 Link Status	1'b0
Bit[3]	Port 3 Link Status	1'b0
Bit[4]	Port 4 Link Status	1'b0
Bit[5]	Port 5 Link Status	1'b0
Bit[6]	Port 6 Link Status	1'b0

Configuration	Description	Default
Bit[7]	Port 7 Link Status	1'b0
Bit[8]	Port 8 Link Status	1'b0
Bit[9]	Port 9 Link Status	1'b0
Bit[10]	Port 10 Link Status	1'b0
Bit[11]	Port 11 Link Status	1'b0
Bit[12]	Port 12 Link Status	1'b0
Bit[13]	Port 13 Link Status	1'b0
Bit[14]	Port 14 Link Status	1'b0
Bit[15]	Port 15 Link Status	1'b0
Bit[16]	Port 16 Link Status	1'b0
Bit[17]	Port 17 Link Status	1'b0
Bit[18]	Port 18 Link Status	1'b0
Bit[19]	Port 19 Link Status	1'b0
Bit[20]	Port 20 Link Status	1'b0
Bit[21]	Port 21 Link Status	1'b0
Bit[22]	Port 22 Link Status	1'b0
Bit[23]	Port 23 Link Status	1'b0
Bit[24]	Port 24 Link Status	1'b0
Bit[25]	Port 25 Link Status	1'b0

3.3.3 Speed Status (Offset: 2h)

Configuration	Description	Default
Bit[0]	Port 0 Speed Status 1 = Port 0 operates in 100M. 0 = Port 0 operates in 10M.	1'b1
Bit[1]	Port 1 Speed Status	1'b1
Bit[2]	Port 2 Speed Status	1'b1
Bit[3]	Port 3 Speed Status	1'b1
Bit[4]	Port 4 Speed Status	1'b1
Bit[5]	Port 5 Speed Status	1'b1
Bit[6]	Port 6 Speed Status	1'b1
Bit[7]	Port 7 Speed Status	1'b1
Bit[8]	Port 8 Speed Status	1'b1
Bit[9]	Port 9 Speed Status	1'b1
Bit[10]	Port 10 Speed Status	1'b1
Bit[11]	Port 11 Speed Status	1'b1
Bit[12]	Port 12 Speed Status	1'b1
Bit[13]	Port 13 Speed Status	1'b1
Bit[14]	Port 14 Speed Status	1'b1
Bit[15]	Port 15 Speed Status	1'b1
Bit[16]	Port 16 Speed Status	1'b1
Bit[17]	Port 17 Speed Status	1'b1
Bit[18]	Port 18 Speed Status	1'b1
Bit[19]	Port 19 Speed Status	1'b1
Bit[20]	Port 20 Speed Status	1'b1
Bit[21]	Port 21 Speed Status	1'b1
Bit[22]	Port 22 Speed Status	1'b1
Bit[23]	Port 23 Speed Status	1'b1
Bit[24]	Port 24 Speed Status	1'b1
Bit[25]	Port 25 Speed Status	1'b1

3.3.4 Duplex Status (Offset: 3h)

Configuration	Description	Default
Bit[0]	Port 0 Duplex Status 1 = Port 0 operates in full duplex. 0 = Port 0 operates in half duplex.	1'b1
Bit[1]	Port 1 Duplex Status	1'b1
Bit[2]	Port 2 Duplex Status	1'b1
Bit[3]	Port 3 Duplex Status	1'b1
Bit[4]	Port 4 Duplex Status	1'b1
Bit[5]	Port 5 Duplex Status	1'b1
Bit[6]	Port 6 Duplex Status	1'b1
Bit[7]	Port 7 Duplex Status	1'b1
Bit[8]	Port 8 Duplex Status	1'b1
Bit[9]	Port 9 Duplex Status	1'b1
Bit[10]	Port 10 Duplex Status	1'b1
Bit[11]	Port 11 Duplex Status	1'b1
Bit[12]	Port 12 Duplex Status	1'b1
Bit[13]	Port 13 Duplex Status	1'b1
Bit[14]	Port 14 Duplex Status	1'b1
Bit[15]	Port 15 Duplex Status	1'b1
Bit[16]	Port 16 Duplex Status	1'b1
Bit[17]	Port 17 Duplex Status	1'b1
Bit[18]	Port 18 Duplex Status	1'b1
Bit[19]	Port 19 Duplex Status	1'b1
Bit[20]	Port 20 Duplex Status	1'b1
Bit[21]	Port 21 Duplex Status	1'b1
Bit[22]	Port 22 Duplex Status	1'b1
Bit[23]	Port 23 Duplex Status	1'b1
Bit[24]	Port 24 Duplex Status	1'b1
Bit[25]	Port 25 Duplex Status	1'b1

3.3.5 Flow Control Status (Offset: 4h)

Configuration	Description	Default
Bit[0]	Port 0 Flow Control Status 1 = Port 0 enables Pause function in full duplex or Back Pressure function in half duplex. 0 = Port 0 disables flow control function.	1'b1
Bit[1]	Port 1 Flow Control Status	1'b1
Bit[2]	Port 2 Flow Control Status	1'b1
Bit[3]	Port 3 Flow Control Status	1'b1
Bit[4]	Port 4 Flow Control Status	1'b1
Bit[5]	Port 5 Flow Control Status	1'b1
Bit[6]	Port 6 Flow Control Status	1'b1
Bit[7]	Port 7 Flow Control Status	1'b1
Bit[8]	Port 8 Flow Control Status	1'b1
Bit[9]	Port 9 Flow Control Status	1'b1
Bit[10]	Port 10 Flow Control Status	1'b1
Bit[11]	Port 11 Flow Control Status	1'b1
Bit[12]	Port 12 Flow Control Status	1'b1
Bit[13]	Port 13 Flow Control Status	1'b1
Bit[14]	Port 14 Flow Control Status	1'b1
Bit[15]	Port 15 Flow Control Status	1'b1
Bit[16]	Port 16 Flow Control Status	1'b1
Bit[17]	Port 17 Flow Control Status	1'b1
Bit[18]	Port 18 Flow Control Status	1'b1

Configuration	Description	Default
Bit[19]	Port 19 Flow Control Status	1'b1
Bit[20]	Port 20 Flow Control Status	1'b1
Bit[21]	Port 21 Flow Control Status	1'b1
Bit[22]	Port 22 Flow Control Status	1'b1
Bit[23]	Port 23 Flow Control Status	1'b1
Bit[24]	Port 24 Flow Control Status	1'b1
Bit[25]	Port 25 Flow Control Status	1'b1

3.3.6 Address Table Control and Status Register

Address Table Control Register 0 (Offset: 5h), Address Table Control Register 1 (Offset: 6h), Address Table Control Register 2 (Offset: 7h), Address Table Status Register 0 (Offset: 8h), Address Table Status Register 1 (Offset: 9h), Address Table Status Register 2 (Offset: ah)

The ADM6926 provides custom commands to access the address table as well as the multicast output port map table. Six registers are used and they mean differently when different tables are accessed.

3.3.6.1 Control and status register for the address table.

1. The Control and Status Register description

Control Register Description					
Command Field	Entry State	Control Field	Output Port/	Forwarding Group	MAC Address
Control_2 [2:0]	Control_1 [31:30]	Control_1 [29:26]	Control_1 [25:21]	Control_1 [20:16]	{Control_1[15:0], Control_0[31:0]}

Field Description in the Control Register																																												
Field	Description																																											
MAC Address[47:0]	This field is 48-bit layer 2 address. The address could be the unicast address or the multicast address.																																											
Forwarding Group[4:0]	This field describes the Learning Group the address belongs to.																																											
Output Port[4:0]/ Multicast Index[4:0]	This field has two means. One is described as the output port and the other is described as the multicast index.																																											
Entry State[0]	The Static Bit. When this bit is set to a one, then the address entry will not be aged forever. This bit could be changed only through the CPU's help.																																											
Entry State[1]	<p>This bit is used to distinguish the output port/ multicast index field.</p> <p>When a match (the same MAC address and the same forwarding group in the address table) is found, the value in the output port field is returned as the output port, and may be modified by the forwarding group before the packet is transferred to the output queue.</p> <p>When a match (the same MAC address and the same forwarding group in the address table) is found, the multicast output port map entry addressed by the multicast index is returned as the output port map, and may be modified by the forwarding group before the packet is transferred to the output queue.</p>																																											
Command Field[2:0]/ Control Field[3:0]	<p>The command and control fields are combined to provide different operations. Before the operation is initiated, users should confirm if the search engine is available. See the busy bit in the status</p> <table border="1"> <thead> <tr> <th>Command Field</th> <th>Control Field</th> <th>Operation</th> </tr> </thead> <tbody> <tr> <td>000</td> <td>0111</td> <td>Create a new address</td> </tr> <tr> <td>000</td> <td>1111</td> <td>Overwrite an existed address</td> </tr> <tr> <td>001</td> <td>1111</td> <td>Erase an existed address</td> </tr> <tr> <td>010</td> <td>0000</td> <td>Search an empty address</td> </tr> <tr> <td>010</td> <td>1001</td> <td>Search by the port in the Output Port field</td> </tr> <tr> <td>010</td> <td>1010</td> <td>Search by the forwarding group specified in the Forwarding Group field</td> </tr> <tr> <td>010</td> <td>1100</td> <td>Search by the address specified in the MAC Address field.</td> </tr> <tr> <td>010</td> <td>1110</td> <td>Search by the address and forwarding group</td> </tr> <tr> <td>010</td> <td>1101</td> <td>Search by the address and output port</td> </tr> <tr> <td>010</td> <td>1011</td> <td>Search by the forwarding group and the output port</td> </tr> <tr> <td>010</td> <td>1111</td> <td>Search by the address, the forwarding group and the output port</td> </tr> <tr> <td>011</td> <td>0100</td> <td>Initial to location by the address field</td> </tr> <tr> <td>011</td> <td>0000</td> <td>Initial to the first address</td> </tr> </tbody> </table>		Command Field	Control Field	Operation	000	0111	Create a new address	000	1111	Overwrite an existed address	001	1111	Erase an existed address	010	0000	Search an empty address	010	1001	Search by the port in the Output Port field	010	1010	Search by the forwarding group specified in the Forwarding Group field	010	1100	Search by the address specified in the MAC Address field.	010	1110	Search by the address and forwarding group	010	1101	Search by the address and output port	010	1011	Search by the forwarding group and the output port	010	1111	Search by the address, the forwarding group and the output port	011	0100	Initial to location by the address field	011	0000	Initial to the first address
Command Field	Control Field	Operation																																										
000	0111	Create a new address																																										
000	1111	Overwrite an existed address																																										
001	1111	Erase an existed address																																										
010	0000	Search an empty address																																										
010	1001	Search by the port in the Output Port field																																										
010	1010	Search by the forwarding group specified in the Forwarding Group field																																										
010	1100	Search by the address specified in the MAC Address field.																																										
010	1110	Search by the address and forwarding group																																										
010	1101	Search by the address and output port																																										
010	1011	Search by the forwarding group and the output port																																										
010	1111	Search by the address, the forwarding group and the output port																																										
011	0100	Initial to location by the address field																																										
011	0000	Initial to the first address																																										

Status Register Description							
Busy	Result	Bad State	Entry State	Occupy	Output Port/ Multicast Index	Forwarding Group	MAC Address
Status_2 [3]	Status_2 [2:0]	Status_1 [29]	Status_1 [28:27]	Status_1 [26]	Status_1 [25:21]	Status_1 [20:16]	{Status_1[15:0], Status_0[31:0]}

Field Description in the Status Register	
Field	Description
MAC Address[47:0]	After the search operation is successful, the switch will return the MAC address in this field. If the search fails, this field doesn't mean anything.
Forwarding Group[4:0]	After the search operation is successful, the switch will return the Forwarding Group in this. If the search fails, this field doesn't mean anything.
Output Port[4:0]/ Multicast Index[4:0]	After the search operation is successful, the switch will return output port / multicast index in this field. The users could use the entry_state[1] returned to distinguish if the entry should point to the multicast output port map table.
Occupy	After the search is successful, the switch will return the value indicating if the entry existed. 1 = The searched entry exists. 0 = The searched entry doesn't exist.
Entry State[0]	After the search is successful, the switch will return the value in this field indicating if value is static. 1 = The searched entry is static. 0 = The searched entry is not static and will be aged.
Entry State[1]	After the search is successful, the switch will return the value in this field indicating if the entry points to the multicast output port map table. 1 = The entry points to the multicast output port map table. 0 = The entry doesn't point to the multicast output port map table.
Bad State	After the search is successful, the switch will return the value indicating if the entry is bad. 1 = The entry is bad and isn't used for data storage. 0 = The entry is not bad and will be used for data storage.
Command Result[2:0]	This field indicates the access result. 000 = Command OK 001 = All Entry Used. This result happens only for the create operation. ADM6926 uses the 4-way address lookup engine so it allows 4 different addresses stored at each hash location. If these 4 entries are all static, then CPU will not successfully create 5 th different address hashed to the same location and 001 will be returned. The only way to create 5 th different address is to remove one of early addresses. 010 = Entry Not Found. 011 = Try Next Entry. 101 = Command Error.
Busy	This bit indicates if the table engine for access is available. 1 = The engine is busy and it will not access the command from the CPU. 0 = The engine is available.

2. Rules to access the address table

- 2.1 Check the Busy Bit in the status register to see if the access engine is available. If the engine is busy, wait until the engine is free. If the engine is available, go to the following step.
- 2.2 Write the MAC address[31:0] into the control register 0.
- 2.3 Write the MAC address[47:32], Forwarding Group, Output Port/Multicast Index, Control Field and the Entry State into the control register 1.
- 2.4 Write the Command into the control register 2 to define the operation.
- 2.5 Wait for the engine to complete (Check the Busy Bit).
- 2.6 Read the desired result returned in the status register.

Note: Before the “Search command”, the CPU should execute the “Initial command” to initial the search pointer. The search engine could search the aim from the top to the bottom. The search engine has an ability to automatically move the pointer to the

associated location (The result will be returned). Because more than one entry may match the searching condition (by port, by address, etc) at the same time, the CPU should continue to restart the search engine until the Command Result = Entry Not is found to confirm that no other matching entries exist.

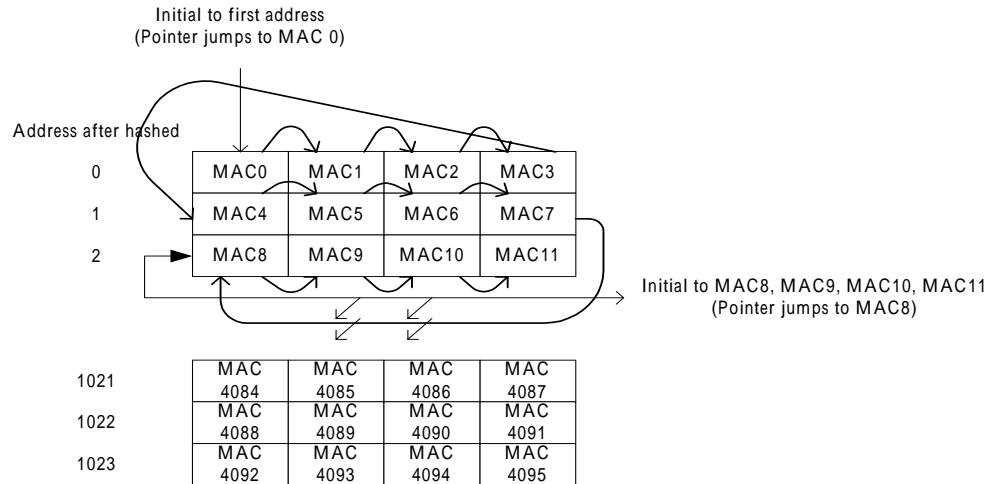


Figure 3-1 The Search Pointer

3. Example

Example	Step
The user needs ADM6926 to forward the specified unicast packet (DA = 48'h0012_3456_789a and Forwarding Group = 2) to port 3 forever.	Step 1: Check the Busy bit. If Busy = 1'b0, go to the step 2. If Busy = 1'b1, wait. Step 2: Write 32'h3456_789a into control register 0. Step 3: Write 32'h5c62_0012 into the control register 1. Step 4: Write 32'h0 into the control register 2 to start the "Create" operation. Step 5: Read the status register 2 to check the busy bit. If Busy = 1'b0, check the Command Result to see if the create operation is successful. If Busy = 1'b1, wait for completion.
The user needs the ADM6926 to forward the specified multicast packet (DA = 48'h0123_4567_89ab and Forwarding Group = 3) to port 5 only. This address could be aged.	Step 1: Check the Busy bit. If Busy = 1'b0, go to the step 2. If Busy = 1'b1, wait. Step 2: Write 32'h4567_89ab into control register 0. Step 3: Write 32'h1ca3_0123 into the control register 1. Step 4: Write 32'h0 into the control register 2 to start the "Create" operation. Step 5: Read the status register 2 to check the busy bit. If Busy = 1'b0, check the Command Result to see if the create operation is successful. If Busy = 1'b1, wait for completion.

Example	Step
<p>The user wants to know how many stations attached to port 4.</p>	<p>Step 1: Check the Busy bit. If Busy = 1'b0, go to the step 2. If Busy = 1'b1, wait. Step 2: Write 32'h0000_0000 into control register 1. Step 3: Write 32'h0000_0003 into control register 2 to start the "Initial to the first address" operation. Step 4: Read the status register 2 to check the busy bit. If Busy = 1'b0, check the Command Result to see if the initial operation is successful. If Busy = 1'b1, wait for completion. Step 5: Write 32'h2480_0000 into control register 1. Step 6: Write 32'h0000_0002 into control register 2 to start the "Search by port" operation. Step 7: Read the status register 2 to check the busy bit. If Busy = 1'b0, check the Command Result to see if the search operation is successful (the Mac address attached to port 4 could be derived from the MAC address in the status register). If Busy = 1'b1, wait for completion. Step 8: If Command Result = "Command OK", it means some other MAC addresses attached to port 4 may exist. We should restart the "Search by port" command again to let the search engine to look another addresses. Step 9: If the Command Result = "Entry Not Found", it means no other addresses attached to port 4 exist.</p>

3.3.6.2 Control and status register for the multicast output port map table.

1. The Control and Status Register description

Control Register Description		
Command Field	Multicast Index	Output Port Map
Control_2[2:0]	Control_0[30:26]	Control_0[25:0]

Field Description in the Control Register	
Field	Description
Output Port Map	This field describes the output ports associated with the multicast index. Bit [0] is for port 0, Bit[1] is for port 1,..., and Bit[25] for port 25.
Multicast Index	See Figure 3.3.6.2.
Command Field	100 = Create an entry in the output port map table (indexed by the Multicast Index). 101 = Search an entry in the output port map table (indexed by the Multicast Index).

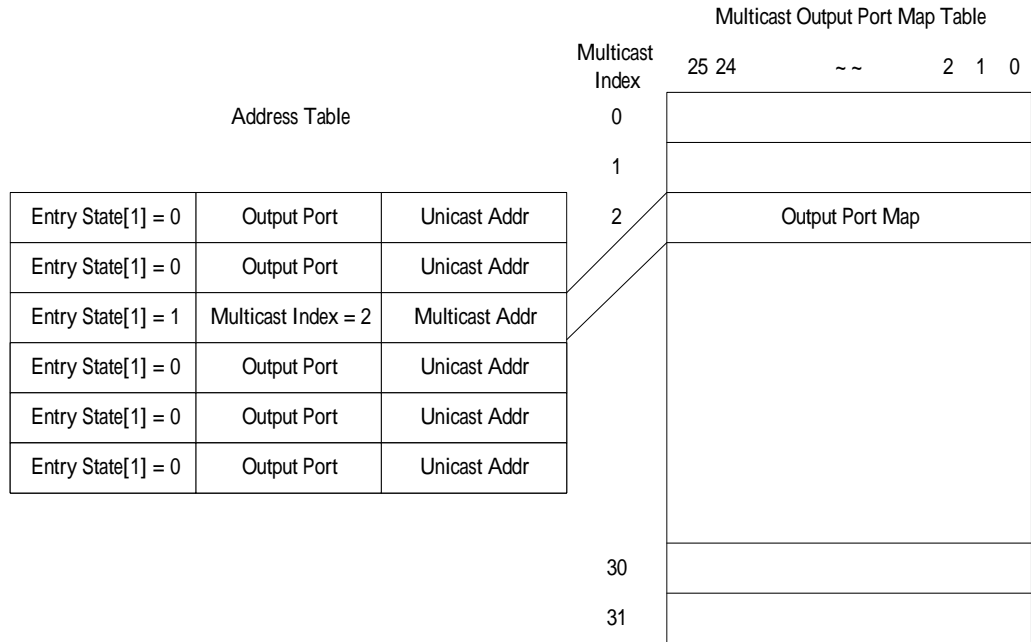


Figure 3-2 Address Table Mapping to Output Port MAP

Status Register Description		
Busy	Command Result	Output Port Map
Status_2[3]	Status_2[2:0]	Status_0[25:0]

Field Description in the Status Register	
Field	Description
Output Port Map	The content associated with the multicast index will be here after searching.
Command Result	000 = Command OK
Busy	This bit indicates if the output port map engine is available. 1 = The engine is busy and it will not access the command from the CPU. 0 = The engine is available.

2. Rules to access the multicast output port map table

- 2.1 Check the Busy Bit to see if the access engine is available. If the engine is busy, wait until the engine is free. If the engine is available, go to the following step.
- 2.2 Write output port map and the multicast index into the control register 0.
- 2.3 Write the command into the control register 2.
- 2.4 Read the Busy Bit. If Busy = 1'b1, wait. If Busy = 1'b0, the operation completes.

3. Example

Example	Step
The user needs the ADM6926 to forward the specified multicast packet (DA = 48'h0123_4567_89ab and Forwarding Group = 3) to port 1, port2 and port 25. This address could be aged. We assume the CPU wants to write output port map into index 1.	<p>Step 1: Check the Busy bit. If Busy = 1'b0, go to the step 2. If Busy = 1'b1, wait.</p> <p>Step 2: Write 32'h0060_0006 into control register 0.</p> <p>Step 3: Write 32'h0000_0004 into control register 2 start the "Write" command.</p> <p>Step 4: Check the Busy bit. If Busy = 1'b1, wait. If Busy = 1'b1, go to the next step.</p> <p>Step 5: Write 32'h4567_89ab into control register 0.</p> <p>Step 6: Write 32'h9c23_0123 into the control register 1.</p> <p>Step 7: Write 32'h0 into the control register 2 to start the "Create" operation.</p> <p>Step 8: Read the status register 2 to check the busy bit. If Busy = 1'b0, check the Command Result to see if the create operation is successful. If Busy = 1'b1, wait for completion.</p>

3.3.7 PHY Control Register (Offset: bh)

Configuration	Description	Default
Bit[15:0]	Data Field. This field indicates the data for reading or writing.	16'h0
Bit[20:16]	Register Address	5'h0
Bit[25:21]	Port Number	5'h0
Bit[26]	Command Option. 1 = Read 0 = Write	1'b0
Bit[27]	Access (Busy) Bit.	1'b0

Note:

- This register allows the user to control the PHY attached through the CPU's help.
- Rule for Read Operation:
 - Step 1: Poll the Busy bit (Bit[27]) to check if the PHY control module is busy.
 - Step 2: Write the port number (Bit[25:21]), register address (Bit[20:16]), command (Bit[26]) and Access bit(Bit[27]) to start the read operation.
 - Step 3: Poll the Busy bit (Bit[27]). If Busy = 1'b1, wait. If Busy = 1'b0, data is returned in the data field.
- Rule for Write Operation:
 - Step 1: Poll the Busy bit (Bit[27]) to check if the PHY control module is busy.
 - Step 2: Write the port number (Bit[25:21]), register address (Bit[20:16]), command (Bit[26]), data field (Bit[15:0]) and Access bit(Bit[27]) to start the write operation.
 - Step 3: Poll the Busy bit (Bit[27]). If Busy = 1'b1, wait. If Busy = 1'b0, writing operation completes.
- Example: The user wants to read the Basic Control Register in Port 1.
 - Step 1: Read Bit[27] to check if PHY module is in progress.
 - Step 2: If Bit[27] = 1'b0, write Bit[27] = 1'b1, Bit[26] = 1'b1, Bit[25:21] = 5'h1 and Bit[20:16] = 5'h0.
 - Step 3: Poll the Busy bit. If Bit[27] = 1'b0, data is returned in the data field. If Bit[27] = 1'b1, wait.

3.3.8 Hardware Status (Offset: dh)

Configuration	Description	Default
Bit[0]	Aging Disable From Hardware Pin 1 = Aging Disable. 0 = Aging Enable.	Hardware Setting
Bit[1]	Auto-Negotiation Enable From Hardware Pin 1 = Auto-Negotiation Enable.	Hardware Setting

Configuration	Description	Default
	0 = Auto-Negotiation Disable.	
Bit[2]	Back Pressure Enable From Hardware Pin 1 = Back Pressure Enable. 0 = Back Pressure Disable.	Hardware Setting
Bit[3]	Flow Control Enable For Full Duplex From Hardware Pin 1 = Flow Control Enable. 0 = Flow Control Disable.	Hardware Setting
Bit[4]	IPG 92 Bit Time Enable From Hardware Pin 1 = IPG 92 Enable. 0 = IPG 92 Disable.	Hardware Setting
Bit[5]	Trunking Enable From Hardware 1 = Trunking Enable. 0 = Trunking Disable.	Hardware Setting
Bit[7:6]	Port 24 or Port 25 operate in RMII or MII Mode 00 = Port 24 and Port 25 are both configured to MII mode. 01 = Port 24 is configured to RMII; Port 25 is configured to MII. 10 = Port 24 is configured to MII; Port 25 is configured to RMII. 11 = Port 24 and Port 25 are both configured to RMII.	Hardware Setting
Bit[8]	Bond RMII (SS-SMII or Pure RMII Mode) 1 = The switch is in RMII package. 0 = The switch is in SS-SMII package.	Hardware Setting

3.3.9 Receive Packet Count Overflow (Offset: eh)

Configuration	Description	Default
Bit[0]	Port 0 Receive Packet Count Overflow. 1 = Receive packet count in port 0 overflows and it will be cleared after read from CPU.	1'b0
Bit[1]	Port 1 Receive Packet Count Overflow.	1'b0
Bit[2]	Port 2 Receive Packet Count Overflow.	1'b0
Bit[3]	Port 3 Receive Packet Count Overflow.	1'b0
Bit[4]	Port 4 Receive Packet Count Overflow.	1'b0
Bit[5]	Port 5 Receive Packet Count Overflow.	1'b0
Bit[6]	Port 6 Receive Packet Count Overflow.	1'b0
Bit[7]	Port 7 Receive Packet Count Overflow.	1'b0
Bit[8]	Port 8 Receive Packet Count Overflow.	1'b0
Bit[9]	Port 9 Receive Packet Count Overflow.	1'b0
Bit[10]	Port 10 Receive Packet Count Overflow.	1'b0
Bit[11]	Port 11 Receive Packet Count Overflow.	1'b0
Bit[12]	Port 12 Receive Packet Count Overflow.	1'b0
Bit[13]	Port 13 Receive Packet Count Overflow.	1'b0
Bit[14]	Port 14 Receive Packet Count Overflow.	1'b0
Bit[15]	Port 15 Receive Packet Count Overflow.	1'b0
Bit[16]	Port 16 Receive Packet Count Overflow.	1'b0
Bit[17]	Port 17 Receive Packet Count Overflow.	1'b0
Bit[18]	Port 18 Receive Packet Count Overflow.	1'b0
Bit[19]	Port 19 Receive Packet Count Overflow.	1'b0
Bit[20]	Port 20 Receive Packet Count Overflow.	1'b0
Bit[21]	Port 21 Receive Packet Count Overflow.	1'b0
Bit[22]	Port 22 Receive Packet Count Overflow.	1'b0
Bit[23]	Port 23 Receive Packet Count Overflow.	1'b0
Bit[24]	Port 24 Receive Packet Count Overflow.	1'b0
Bit[25]	Port 25 Receive Packet Count Overflow.	1'b0

3.3.10 Receive Packet Length Count Overflow (Offset: fh)

Configuration	Description	Default
Bit[0]	Port 0 Receive Packet Length Count Overflow. 1 = Receive packet length count in port 0 overflows and it will be cleared after read from CPU.	1'b0
Bit[1]	Port 1 Receive Packet Length Count Overflow	1'b0
Bit[2]	Port 2 Receive Packet Length Count Overflow	1'b0
Bit[3]	Port 3 Receive Packet Length Count Overflow	1'b0
Bit[4]	Port 4 Receive Packet Length Count Overflow	1'b0
Bit[5]	Port 5 Receive Packet Length Count Overflow	1'b0
Bit[6]	Port 6 Receive Packet Length Count Overflow	1'b0
Bit[7]	Port 7 Receive Packet Length Count Overflow	1'b0
Bit[8]	Port 8 Receive Packet Length Count Overflow	1'b0
Bit[9]	Port 9 Receive Packet Length Count Overflow	1'b0
Bit[10]	Port 10 Receive Packet Length Count Overflow	1'b0
Bit[11]	Port 11 Receive Packet Length Count Overflow	1'b0
Bit[12]	Port 12 Receive Packet Length Count Overflow	1'b0
Bit[13]	Port 13 Receive Packet Length Count Overflow	1'b0
Bit[14]	Port 14 Receive Packet Length Count Overflow	1'b0
Bit[15]	Port 15 Receive Packet Length Count Overflow	1'b0
Bit[16]	Port 16 Receive Packet Length Count Overflow	1'b0
Bit[17]	Port 17 Receive Packet Length Count Overflow	1'b0
Bit[18]	Port 18 Receive Packet Length Count Overflow	1'b0
Bit[19]	Port 19 Receive Packet Length Count Overflow	1'b0
Bit[20]	Port 20 Receive Packet Length Count Overflow	1'b0
Bit[21]	Port 21 Receive Packet Length Count Overflow	1'b0
Bit[22]	Port 22 Receive Packet Length Count Overflow	1'b0
Bit[23]	Port 23 Receive Packet Length Count Overflow	1'b0
Bit[24]	Port 24 Receive Packet Length Count Overflow	1'b0
Bit[25]	Port 25 Receive Packet Length Count Overflow	1'b0

3.3.11 Transmit Packet Count Overflow (Offset: 10h)

Configuration	Description	Default
Bit[0]	Port 0 Transmit Packet Count Overflow 1 = Transmit packet count in port 0 overflows and it will be cleared after read from CPU	1'b0
Bit[1]	Port 01 Transmit Packet Count Overflow	1'b0
Bit[2]	Port 2 Transmit Packet Count Overflow	1'b0
Bit[3]	Port 3 Transmit Packet Count Overflow	1'b0
Bit[4]	Port 4 Transmit Packet Count Overflow	1'b0
Bit[5]	Port 5 Transmit Packet Count Overflow	1'b0
Bit[6]	Port 6 Transmit Packet Count Overflow	1'b0
Bit[7]	Port 7 Transmit Packet Count Overflow	1'b0
Bit[8]	Port 8 Transmit Packet Count Overflow	1'b0
Bit[9]	Port 9 Transmit Packet Count Overflow	1'b0
Bit[10]	Port 10 Transmit Packet Count Overflow	1'b0
Bit[11]	Port 11 Transmit Packet Count Overflow	1'b0
Bit[12]	Port 12 Transmit Packet Count Overflow	1'b0
Bit[13]	Port 13 Transmit Packet Count Overflow	1'b0
Bit[14]	Port 14 Transmit Packet Count Overflow	1'b0
Bit[15]	Port 15 Transmit Packet Count Overflow	1'b0
Bit[16]	Port 16 Transmit Packet Count Overflow	1'b0
Bit[17]	Port 17 Transmit Packet Count Overflow	1'b0
Bit[18]	Port 18 Transmit Packet Count Overflow	1'b0

Configuration	Description	Default
Bit[19]	Port 19 Transmit Packet Count Overflow	1'b0
Bit[20]	Port 20 Transmit Packet Count Overflow	1'b0
Bit[21]	Port 21 Transmit Packet Count Overflow	1'b0
Bit[22]	Port 22 Transmit Packet Count Overflow	1'b0
Bit[23]	Port 23 Transmit Packet Count Overflow	1'b0
Bit[24]	Port 24 Transmit Packet Count Overflow	1'b0
Bit[25]	Port 25 Transmit Packet Count Overflow	1'b0

3.3.12 Transmit Packet Length Count Overflow (Offset: 11h)

Configuration	Description	Default
Bit[0]	Port 0 Transmit Packet Length Count Overflow 1 = Transmit packet length count in port 0 overflows and it will be cleared after read from CPU	1'b0
Bit[1]	Port 1 Transmit Packet Length Count Overflow	1'b0
Bit[2]	Port 2 Transmit Packet Length Count Overflow	1'b0
Bit[3]	Port 3 Transmit Packet Length Count Overflow	1'b0
Bit[4]	Port 4 Transmit Packet Length Count Overflow	1'b0
Bit[5]	Port 5 Transmit Packet Length Count Overflow	1'b0
Bit[6]	Port 6 Transmit Packet Length Count Overflow	1'b0
Bit[7]	Port 7 Transmit Packet Length Count Overflow	1'b0
Bit[8]	Port 8 Transmit Packet Length Count Overflow	1'b0
Bit[9]	Port 9 Transmit Packet Length Count Overflow	1'b0
Bit[10]	Port 10 Transmit Packet Length Count Overflow	1'b0
Bit[11]	Port 11 Transmit Packet Length Count Overflow	1'b0
Bit[12]	Port 12 Transmit Packet Length Count Overflow	1'b0
Bit[13]	Port 13 Transmit Packet Length Count Overflow	1'b0
Bit[14]	Port 14 Transmit Packet Length Count Overflow	1'b0
Bit[15]	Port 15 Transmit Packet Length Count Overflow	1'b0
Bit[16]	Port 16 Transmit Packet Length Count Overflow	1'b0
Bit[17]	Port 17 Transmit Packet Length Count Overflow	1'b0
Bit[18]	Port 18 Transmit Packet Length Count Overflow	1'b0
Bit[19]	Port 19 Transmit Packet Length Count Overflow	1'b0
Bit[20]	Port 20 Transmit Packet Length Count Overflow	1'b0
Bit[21]	Port 21 Transmit Packet Length Count Overflow	1'b0
Bit[22]	Port 22 Transmit Packet Length Count Overflow	1'b0
Bit[23]	Port 23 Transmit Packet Length Count Overflow	1'b0
Bit[24]	Port 24 Transmit Packet Length Count Overflow	1'b0
Bit[25]	Port 25 Transmit Packet Length Count Overflow	1'b0

3.3.13 Error Count Overflow (Offset: 12h)

Configuration	Description	Default
Bit[0]	Port 0 Error Count Overflow 1 = Error count in port 0 overflows and it will be cleared after read from CPU	1'b0
Bit[0]	Port 0 Error Count Overflow	1'b0
Bit[1]	Port 1 Error Count Overflow	1'b0
Bit[2]	Port 2 Error Count Overflow	1'b0
Bit[3]	Port 3 Error Count Overflow	1'b0
Bit[4]	Port 4 Error Count Overflow	1'b0
Bit[5]	Port 5 Error Count Overflow	1'b0
Bit[6]	Port 6 Error Count Overflow	1'b0
Bit[7]	Port 7 Error Count Overflow	1'b0
Bit[8]	Port 8 Error Count Overflow	1'b0

Configuration	Description	Default
Bit[9]	Port 9 Error Count Overflow	1'b0
Bit[10]	Port 10 Error Count Overflow	1'b0
Bit[11]	Port 11 Error Count Overflow	1'b0
Bit[12]	Port 12 Error Count Overflow	1'b0
Bit[13]	Port 13 Error Count Overflow	1'b0
Bit[14]	Port 14 Error Count Overflow	1'b0
Bit[15]	Port 15 Error Count Overflow	1'b0
Bit[16]	Port 16 Error Count Overflow	1'b0
Bit[17]	Port 17 Error Count Overflow	1'b0
Bit[18]	Port 18 Error Count Overflow	1'b0
Bit[19]	Port 19 Error Count Overflow	1'b0
Bit[20]	Port 20 Error Count Overflow	1'b0
Bit[21]	Port 21 Error Count Overflow	1'b0
Bit[22]	Port 22 Error Count Overflow	1'b0
Bit[23]	Port 23 Error Count Overflow	1'b0
Bit[24]	Port 24 Error Count Overflow	1'b0
Bit[25]	Port 25 Error Count Overflow	1'b0

3.3.14 Collision Count Overflow (Offset: 13h)

Configuration	Description	Default
Bit[0]	Port 0 Collision Count Overflow. 1 = Collision Count in port 0 overflows and it will be cleared after read from CPU.	1'b0
Bit[1]	Port 1 Collision Count Overflow.	1'b0
Bit[2]	Port 2 Collision Count Overflow.	1'b0
Bit[3]	Port 3 Collision Count Overflow.	1'b0
Bit[4]	Port 4 Collision Count Overflow.	1'b0
Bit[5]	Port 5 Collision Count Overflow.	1'b0
Bit[6]	Port 6 Collision Count Overflow.	1'b0
Bit[7]	Port 7 Collision Count Overflow.	1'b0
Bit[8]	Port 8 Collision Count Overflow.	1'b0
Bit[9]	Port 9 Collision Count Overflow.	1'b0
Bit[10]	Port 10 Collision Count Overflow.	1'b0
Bit[11]	Port 11 Collision Count Overflow.	1'b0
Bit[12]	Port 12 Collision Count Overflow.	1'b0
Bit[13]	Port 13 Collision Count Overflow.	1'b0
Bit[14]	Port 14 Collision Count Overflow.	1'b0
Bit[15]	Port 15 Collision Count Overflow.	1'b0
Bit[16]	Port 16 Collision Count Overflow.	1'b0
Bit[17]	Port 17 Collision Count Overflow.	1'b0
Bit[18]	Port 18 Collision Count Overflow.	1'b0
Bit[19]	Port 19 Collision Count Overflow.	1'b0
Bit[20]	Port 20 Collision Count Overflow.	1'b0
Bit[21]	Port 21 Collision Count Overflow.	1'b0
Bit[22]	Port 22 Collision Count Overflow.	1'b0
Bit[23]	Port 23 Collision Count Overflow.	1'b0
Bit[24]	Port 24 Collision Count Overflow.	1'b0
Bit[25]	Port 25 Collision Count Overflow.	1'b0

3.3.15 Renew Counter Register (Offset: 14h)

Configuration	Description	Default
Bit[0]	1 = Clear Port 0 Corresponding Counters	1'b0
Bit[1]	1 = Clear Port 1 Corresponding Counters	1'b0
Bit[2]	1 = Clear Port 2 Corresponding Counters	1'b0
Bit[3]	1 = Clear Port 3 Corresponding Counters	1'b0
Bit[4]	1 = Clear Port 4 Corresponding Counters	1'b0
Bit[5]	1 = Clear Port 5 Corresponding Counters	1'b0
Bit[6]	1 = Clear Port 6 Corresponding Counters	1'b0
Bit[7]	1 = Clear Port 7 Corresponding Counters	1'b0
Bit[8]	1 = Clear Port 8 Corresponding Counters	1'b0
Bit[9]	1 = Clear Port 9 Corresponding Counters	1'b0
Bit[10]	1 = Clear Port 10 Corresponding Counters	1'b0
Bit[11]	1 = Clear Port 11 Corresponding Counters	1'b0
Bit[12]	1 = Clear Port 12 Corresponding Counters	1'b0
Bit[13]	1 = Clear Port 13 Corresponding Counters	1'b0
Bit[14]	1 = Clear Port 14 Corresponding Counters	1'b0
Bit[15]	1 = Clear Port 15 Corresponding Counters	1'b0
Bit[16]	1 = Clear Port 16 Corresponding Counters	1'b0
Bit[17]	1 = Clear Port 17 Corresponding Counters	1'b0
Bit[18]	1 = Clear Port 18 Corresponding Counters	1'b0
Bit[19]	1 = Clear Port 19 Corresponding Counters	1'b0
Bit[20]	1 = Clear Port 20 Corresponding Counters	1'b0
Bit[21]	1 = Clear Port 21 Corresponding Counters	1'b0
Bit[22]	1 = Clear Port 22 Corresponding Counters	1'b0
Bit[23]	1 = Clear Port 23 Corresponding Counters	1'b0
Bit[24]	1 = Clear Port 24 Corresponding Counters	1'b0
Bit[25]	1 = Clear Port 25 Corresponding Counters	1'b0
Bit[26]	Access (Busy) bit	1'b0

Note:

1. This register allows the user to reset all counters for the corresponding port. If the renew counter module is busy all other modules about counters are not accessible.
2. Rule:
 Step 1: Poll the busy bit to check if the renew counter module is busy.
 Step 2: If the renew counter module is available, write the port (Bit[25:0]) the user wants to reset and the busy bit(Bit[26]) to 1.
 Step 3: Poll the busy bit to check if the renew counter module completes the job.
3. Example:
 Users want to reset P0, P1, P2, P3 corresponding counters.
 Step 1: Read Bit[26] to check if reset is in progress.
 Step 2: If Bit[26] = 0, write Bit[26] = 1'b1, Bit[25:0] = 26'b00_0000_0000_0000_0000_1111 into the register.
 Step 3: Poll the busy bit to check if reset completes

3.3.16 Read Counter Control & Status Register

Read Counter Control Register (Offset: 15h), Read Counter Status Register (Offset: 16h)

1. Read Counter Control Register

Configuration	Description	Default
Bit[8]	Access (busy) bit	1'h0
Bit[7:0]	Counter Index	8'h0

2. Read Counter Status Register

Configuration	Description	Default
Bit[31:0]	The corresponding counter index by the Bit[7:0] is returned here.	32'h0

3. Note: This register provides user to read counter if he wants to use fast management clock (fast than 5mhz).
4. Rules:
 - Step 1: Read the Busy bit to check if the read counter module is busy.
 - Step 2: If the module is free, write the counter index and access bit into the control register.
 - Step 3: Poll the Busy bit. If Busy = 1'b1, wait. If Busy = 1'b0, read the status register.
5. Example: Users want to read Port 1 Receive Packet Count
 - Step 1: Read Bit[8] to check if the read counter module is busy
 - Step 2: If Bit[8] = 0, then write bit[8] = 1'b1, Bit[7:0] = 8'b1 into the register.
 - Step 3: Then Port 1 Receive Packet Count will be loaded into the Counter Status Register (Offset: 16h)
 - Step 4: Read Counter Status Register (Offset: 16h) and the content read is the Port 1 Receive Packet Count.

3.3.17 Reload MDIO Register (Offset: 17h)

Configuration	Description	Default
Bit[0]	Port 0 MDIO Register Reload 1 = Status of Port 0 PHY attached will be reloaded and updated to the switch. After PHY is reloaded, Bit[0] will be cleared.	1'b0
Bit[1]	Port 1 MDIO Register Reload	1'b0
Bit[2]	Port 2 MDIO Register Reload	1'b0
Bit[3]	Port 3 MDIO Register Reload	1'b0
Bit[4]	Port 4 MDIO Register Reload	1'b0
Bit[5]	Port 5 MDIO Register Reload	1'b0
Bit[6]	Port 6 MDIO Register Reload	1'b0
Bit[7]	Port 7 MDIO Register Reload	1'b0
Bit[8]	Port 8 MDIO Register Reload	1'b0
Bit[9]	Port 9 MDIO Register Reload	1'b0
Bit[10]	Port 10 MDIO Register Reload	1'b0
Bit[11]	Port 11 MDIO Register Reload	1'b0
Bit[12]	Port 12 MDIO Register Reload	1'b0
Bit[13]	Port 13 MDIO Register Reload	1'b0
Bit[14]	Port 14 MDIO Register Reload	1'b0
Bit[15]	Port 15 MDIO Register Reload	1'b0
Bit[16]	Port 16 MDIO Register Reload	1'b0
Bit[17]	Port 17 MDIO Register Reload	1'b0
Bit[18]	Port 18 MDIO Register Reload	1'b0

Configuration	Description	Default
Bit[19]	Port 19 MDIO Register Reload	1'b0
Bit[20]	Port 20 MDIO Register Reload	1'b0
Bit[21]	Port 21 MDIO Register Reload	1'b0
Bit[22]	Port 22 MDIO Register Reload	1'b0
Bit[23]	Port 23 MDIO Register Reload	1'b0
Bit[24]	Port 24 MDIO Register Reload	1'b0
Bit[25]	Port 25 MDIO Register Reload	1'b0

3.3.18 Spanning Tree Port State 0 (Offset: 18h)

Configuration	Description	Default
Bit[1:0]	Port 0 Spanning Tree Port Status	2'h0
Bit[3:2]	Port 1 Spanning Tree Port Status	2'h0
Bit[5:4]	Port 2 Spanning Tree Port Status	2'h0
Bit[7:6]	Port 3 Spanning Tree Port Status	2'h0
Bit[9:8]	Port 4 Spanning Tree Port Status	2'h0
Bit[11:10]	Port 5 Spanning Tree Port Status	2'h0
Bit[13:12]	Port 6 Spanning Tree Port Status	2'h0
Bit[15:14]	Port 7 Spanning Tree Port Status	2'h0
Bit[17:16]	Port 8 Spanning Tree Port Status	2'h0
Bit[19:18]	Port 9 Spanning Tree Port Status	2'h0
Bit[21:20]	Port 10 Spanning Tree Port Status	2'h0
Bit[23:22]	Port 11 Spanning Tree Port Status	2'h0
Bit[25:24]	Port 12 Spanning Tree Port Status	2'h0
Bit[27:26]	Port 13 Spanning Tree Port Status	2'h0
Bit[29:28]	Port 14 Spanning Tree Port Status	2'h0
Bit[31:30]	Port 15 Spanning Tree Port Status	2'h0

Note:

The ADM6926 supports 4 port status to support Spanning Tree Protocol

00 = Forwarding State. The port acts as the normal mode.

01 = Disabled State. The port entity will not transmit and receive any packets. Learning is disabled in this state.

10 = Learning State. The port entity will only transmit and receive management packets. All other packets are discarded.

Learning is enabled for all good frames.

11 = Blocking-not-Listening. Only the management packets defined by the ADM6926 will be received and transmitted.

All other packets are discarded by the port entity. Learning is disabled in this state.

3.3.19 Spanning Tree Port State 1 (Offset: 19h)

Configuration	Description	Default
Bit[1:0]	Port 16 Spanning Tree Port Status	2'h0
Bit[3:2]	Port 17 Spanning Tree Port Status	2'h0
Bit[5:4]	Port 18 Spanning Tree Port Status	2'h0
Bit[7:6]	Port 19 Spanning Tree Port Status	2'h0
Bit[9:8]	Port 20 Spanning Tree Port Status	2'h0
Bit[11:10]	Port 21 Spanning Tree Port Status	2'h0
Bit[13:12]	Port 22 Spanning Tree Port Status	2'h0
Bit[15:14]	Port 23 Spanning Tree Port Status	2'h0

Configuration	Description	Default
Bit[17:16]	Port 24 Spanning Tree Port Status	2'h0
Bit[19:18]	Port 25 Spanning Tree Port Status	2'h0

3.3.20 Source Port Register (Offset: 1ah)

Configuration	Description	Default
Bit[4:0]	The Source Port. The CPU can read this register to get the source port when he receives a packet.	2'h0

Note:

The value will be correct after the SA is transmitted.

3.3.21 Transmit Port Register (Offset: 1bh)

Configuration	Description	Default
Bit[25:0]	The destination ports the CPU wants to forward.	26'b0
Bit[26]	The destination ports is more than 1.	1'b0
Bit[27]	1 = The command is valid. 0 = The command is not valid.	

Note:

The value should be written before CPU transmits a packet.

3.3.22 Counter Register: Offset Hex. 0100h ~ 019b

The Receive Count					
Offset Hex	Index	Description	Offset Hex	Index	Description
0100h	0	Port 0 Receive Packet Count	011a	1A	Port 0 Receive Packet Length Count
0101h	1	Port 1 Receive Packet Count	011b	1B	Port 1 Receive Packet Length Count
0102h	2	Port 2 Receive Packet Count	011c	1C	Port 2 Receive Packet Length Count
0103h	3	Port 3 Receive Packet Count	011d	1D	Port 3 Receive Packet Length Count
0104h	4	Port 4 Receive Packet Count	011e	1E	Port 4 Receive Packet Length Count
0105h	5	Port 5 Receive Packet Count	011f	1F	Port 5 Receive Packet Length Count
0106h	6	Port 6 Receive Packet Count	0120	20	Port 6 Receive Packet Length Count
0107h	7	Port 7 Receive Packet Count	0121	21	Port 7 Receive Packet Length Count
0108h	8	Port 8 Receive Packet Count	0122	22	Port 8 Receive Packet Length Count
0109h	9	Port 9 Receive Packet Count	0123	23	Port 9 Receive Packet Length Count
010ah	A	Port 10 Receive Packet Count	0124	24	Port 10 Receive Packet Length Count
010bh	B	Port 11 Receive Packet Count	0125	25	Port 11 Receive Packet Length Count
010ch	C	Port 12 Receive Packet Count	0126	26	Port 12 Receive Packet Length Count
010dh	D	Port 13 Receive Packet Count	0127	27	Port 13 Receive Packet Length Count
010eh	E	Port 14 Receive Packet Count	0128	28	Port 14 Receive Packet Length Count
010fh	F	Port 15 Receive Packet Count	0129	29	Port 15 Receive Packet Length Count
0110h	10	Port 16 Receive Packet Count	012a	2A	Port 16 Receive Packet Length Count
0111h	11	Port 17 Receive Packet Count	012b	2B	Port 17 Receive Packet Length Count
0112h	12	Port 18 Receive Packet Count	012c	2C	Port 18 Receive Packet Length Count
0113h	13	Port 19 Receive Packet Count	012d	2D	Port 19 Receive Packet Length Count
0114h	14	Port 20 Receive Packet Count	012e	2E	Port 20 Receive Packet Length Count
0115h	15	Port 21 Receive Packet Count	012f	2F	Port 21 Receive Packet Length Count
0116h	16	Port 22 Receive Packet Count	0130	30	Port 22 Receive Packet Length Count
0117h	17	Port 23 Receive Packet Count	0131	31	Port 23 Receive Packet Length Count
0118h	18	Port 24 Receive Packet Count	0132	32	Port 24 Receive Packet Length Count
0119h	19	Port 25 Receive Packet Count	0133	33	Port 25 Receive Packet Length Count
The Transmit Count					
Offset Hex	Index	Description	Offset Hex	Index	Description
0134	34	Port 0 Transmit Packet Count	014e	4E	Port 0 Transmit Packet Length Count

0135	35	Port 1 Transmit Packet Count	014f	4F	Port 1 Transmit Packet Length Count
0136	36	Port 2 Transmit Packet Count	0150	50	Port 2 Transmit Packet Length Count
0137	37	Port 3 Transmit Packet Count	0151	51	Port 3 Transmit Packet Length Count
0138	38	Port 4 Transmit Packet Count	0152	52	Port 4 Transmit Packet Length Count
0139	39	Port 5 Transmit Packet Count	0153	53	Port 5 Transmit Packet Length Count
013a	3A	Port 6 Transmit Packet Count	0154	54	Port 6 Transmit Packet Length Count
013b	3B	Port 7 Transmit Packet Count	0155	55	Port 7 Transmit Packet Length Count
013c	3C	Port 8 Transmit Packet Count	0156	56	Port 8 Transmit Packet Length Count
013d	3D	Port 9 Transmit Packet Count	0157	57	Port 9 Transmit Packet Length Count
013e	3E	Port 10 Transmit Packet Count	0158	58	Port 10 Transmit Packet Length Count
013f	3F	Port 11 Transmit Packet Count	0159	59	Port 11 Transmit Packet Length Count
0140	40	Port 12 Transmit Packet Count	015a	5A	Port 12 Transmit Packet Length Count
0141	41	Port 13 Transmit Packet Count	015b	5B	Port 13 Transmit Packet Length Count
0142	42	Port 14 Transmit Packet Count	015c	5C	Port 14 Transmit Packet Length Count
0143	43	Port 15 Transmit Packet Count	015d	5D	Port 15 Transmit Packet Length Count
0144	44	Port 16 Transmit Packet Count	015e	5E	Port 16 Transmit Packet Length Count
0145	45	Port 17 Transmit Packet Count	015f	5F	Port 17 Transmit Packet Length Count
0146	46	Port 18 Transmit Packet Count	0160	60	Port 18 Transmit Packet Length Count
0147	47	Port 19 Transmit Packet Count	0161	61	Port 19 Transmit Packet Length Count
0148	48	Port 20 Transmit Packet Count	0162	62	Port 20 Transmit Packet Length Count
0149	49	Port 21 Transmit Packet Count	0163	63	Port 21 Transmit Packet Length Count
014a	4A	Port 22 Transmit Packet Count	0164	64	Port 22 Transmit Packet Length Count
014b	4B	Port 23 Transmit Packet Count	0165	65	Port 23 Transmit Packet Length Count
014c	4C	Port 24 Transmit Packet Count	0166	66	Port 24 Transmit Packet Length Count
014d	4D	Port 25 Transmit Packet Count	0167	67	Port 25 Transmit Packet Length Count

Error and Collision Count					
Offset Hex	Index	Description	Offset Hex	Index	Description
0168	68	Port 0 Receive Error Count	0182	82	Port 0 Collision Count
0169	69	Port 1 Receive Error Count	0183	83	Port 1 Collision Count
016a	6A	Port 2 Receive Error Count	0184	84	Port 2 Collision Count
016b	6B	Port 3 Receive Error Count	0185	85	Port 3 Collision Count
016c	6C	Port 4 Receive Error Count	0186	86	Port 4 Collision Count
016d	6D	Port 5 Receive Error Count	0187	87	Port 5 Collision Count
016e	6E	Port 6 Receive Error Count	0188	88	Port 6 Collision Count
016f	6F	Port 7 Receive Error Count	0189	89	Port 7 Collision Count
0170	70	Port 8 Receive Error Count	018a	8A	Port 8 Collision Count
0171	71	Port 9 Receive Error Count	018b	8B	Port 9 Collision Count
0172	72	Port 10 Receive Error Count	018c	8C	Port 10 Collision Count
0173	73	Port 11 Receive Error Count	018d	8D	Port 11 Collision Count
0174	74	Port 12 Receive Error Count	018e	8E	Port 12 Collision Count
0175	75	Port 13 Receive Error Count	018f	8F	Port 13 Collision Count
0176	76	Port 14 Receive Error Count	0190	90	Port 14 Collision Count
0177	77	Port 15 Receive Error Count	0191	91	Port 15 Collision Count
0178	78	Port 16 Receive Error Count	0192	92	Port 16 Collision Count
0179	79	Port 17 Receive Error Count	0193	93	Port 17 Collision Count
017a	7A	Port 18 Receive Error Count	0194	93	Port 18 Collision Count
017b	7B	Port 19 Receive Error Count	0195	95	Port 19 Collision Count
017c	7C	Port 20 Receive Error Count	0196	96	Port 20 Collision Count
017d	7D	Port 21 Receive Error Count	0197	97	Port 21 Collision Count
017e	7E	Port 22 Receive Error Count	0198	98	Port 22 Collision Count
017f	7F	Port 23 Receive Error Count	0199	99	Port 23 Collision Count
0180	80	Port 24 Receive Error Count	019a	9A	Port 24 Collision Count
0181	81	Port 25 Receive Error Count	019b	9B	Port 25 Collision Count

Chapter 4 Electrical Specification

4.1 DC Characterization

4.1.1 Absolute Maximum Rating

Symbol	Parameter	Rating	Units
VCCO	3.3V Power Supply	3.0 to 3.6	V
VCCIK	1.8V Power Supply	1.71 to 1.89	V
V _{IN}	Input Voltage	-0.3 to V _{CC33} + 0.3	V
V _{out}	Output Voltage	-0.3 to V _{CC33} + 0.3	V
TSTG	Storage Temperature	-55 to 155	°C
PD	Power Dissipation	1.0	W
ESD	ESD Rating	3000	V

Table 4-4-1 Electrical Absolute Maximum Rating

4.1.2 Recommended Operating Conditions

Symbol	Parameter	Min	Max	Units	
V _{cc}	Power Supply	3.135	3.3	3.465	V
V _{in}	Input Voltage	0	-	V _{cc}	V
T _j	Junction Operating Temperature	0	25	115	°C

Table 4-4-2 Recommended Operating Conditions

4.1.3 DC Electrical Characteristics for 3.3V Operation

(Under V_{cc}=3.0V~3.6V, T_j= 0 °C ~ 115 °C)

Symbol	Parameter	Conditions	Min	Typical	Max	Units
V _{IL}	Input Low Voltage	TTL			0.8	V
V _{IH}	Input High Voltage	TTL	2.0			V
V _{OL}	Output Low Voltage	TTL			0.4	V
V _{OH}	Output High Voltage	TTL	2.3			V
RI	Input Pull_up/down Resistance	V _{IL} = 0V or V _{IH} = V _{cc}		50		KΩ

Table 4-4-3 DC Electrical Characteristics for 3.3V Operation

4.2 AC Characterization

4.2.1 XI/OSCI (Crystal/Oscillator) Timing

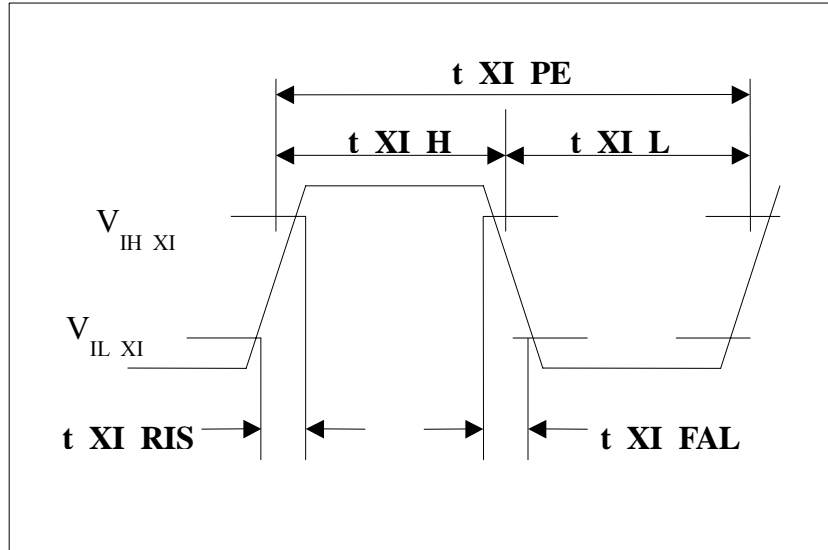


Figure 4-1 Crystal/Oscillator Timing

Symbol	Parameter	Conditions	Min	Typical	Max	Units
t_{XI_PER}	XI/OSCI Clock Period		20.0 - 50ppm	20.0	20.0 + 50ppm	ns
T_{XI_HI}	XI/OSCI Clock High		8	10.0		ns
T_{XI_LO}	XI/OSCI Clock Low		8	10.0		ns
T_{XI_RISE}	XI/OSCI Clock Rise Time, V_{IL} (max) to V_{IH} (min)				2	ns
T_{XI_FALL}	XI/OSCI Clock Fall Time, V_{IH} (min) to V_{IL} (max)				2	ns

Table 4-4 Crystal/Oscillator Timing

4.2.1 Power On Reset

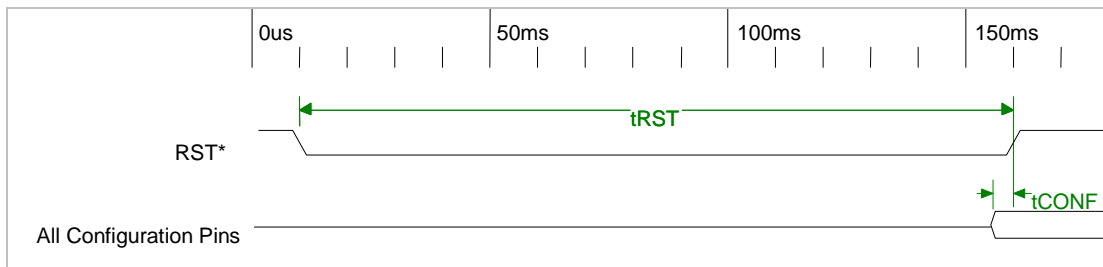


Figure 4-2 Power on reset timing

Symbol	Parameter	Conditions	Min	Typical		Units
T _{RST}	RST Low Period		150			ms
T _{CONF}	Start of Configuration Pins		100			ns

Table 4-5 Power on reset timing

4.2.2 EEPROM Interface Timing

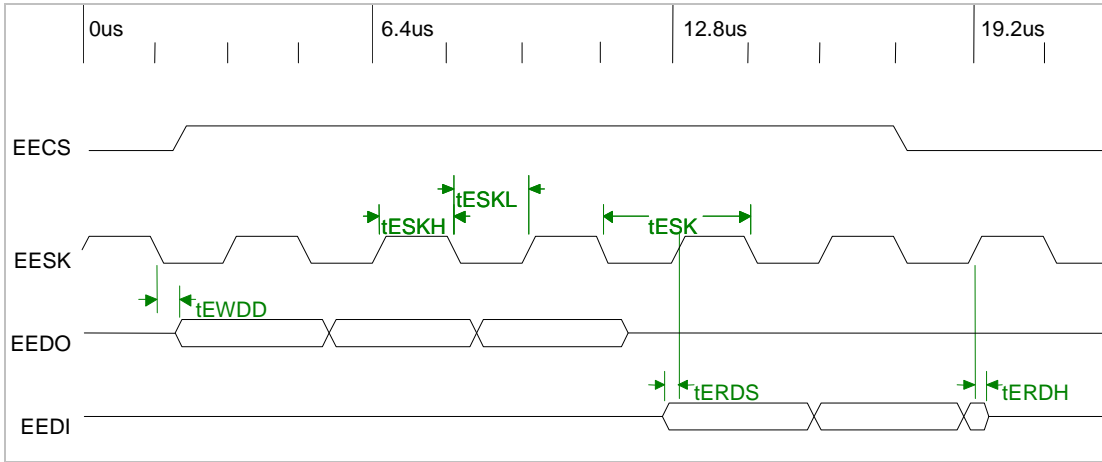


Figure 4-3 EEPROM Interface Timing

Symbol	Parameter	Conditions	Min	Typical	Max	Units
T _{ESK}	EESK Period			3.2		us
T _{ESKL}	EESK Low Period			1.6		us
T _{ESKH}	EESK High Period			1.6		us
T _{ERDS}	EEDI to EESK Rising Setup Time		10			ns
T _{ERDH}	EEDI to EESK Rising Hold Time		10			ns
T _{EWDD}	EESK Falling to EEDO Output Delay Time				20	ns

Table 4-6 EEPROM Interface Timing

4.2.3 10Base-TX MII Output Timing

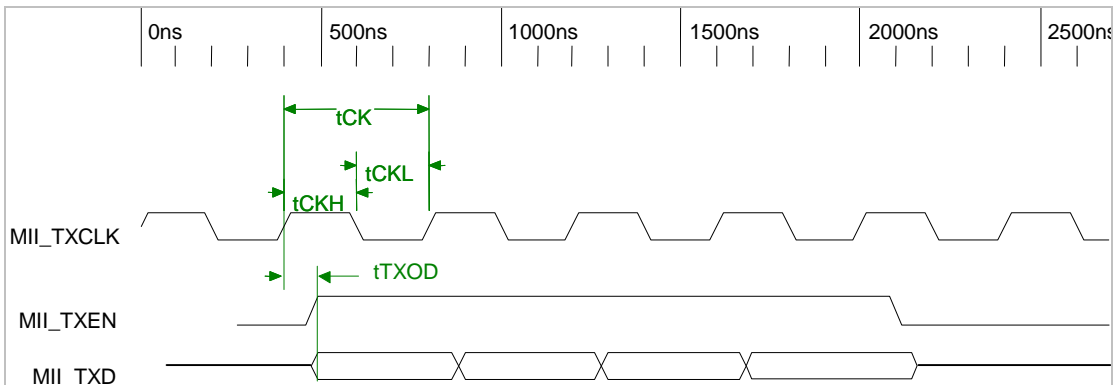


Figure 4-4 10Base-TX MII Output Timing

Symbol	Parameter	Conditions	Min	Typical	Max	Units
tCK	MII_TXCLK Period			400		ns
tCKL	MII_TXCLK Low Period		160		240	ns
tCKH	MII_TXCLK High Period		160		240	ns
tTXOD	MII_TXD, MII_TXEN to MII_TXCLK Rising Output Delay		10		20	ns

Table 4-7 10Base-TX MII Output Timing

4.2.4 10Base-TX MII Input Timing

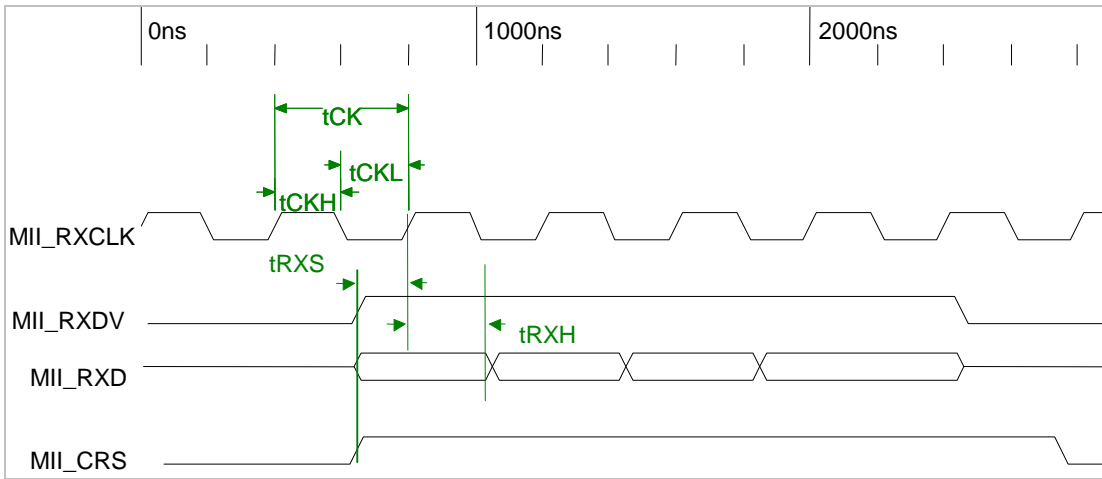


Figure 4-5 10Base-TX MII Input Timing

Symbol	Parameter	Conditions	Min	Typical	Max	Units
tCK	MII_RXCLK Period			400		ns
tCKL	MII_RXCLK Low Period		160		240	ns
tCKH	MII_RXCLK High Period		160		240	ns
tRXS	MII_CRS, MII_RXDV and MII_RXD to MII_RXCLK rising setup		10			ns
tRXH	MII_CRS, MII_RXDV and MII_RXD to MII_RXCLK rising hold		10			ns

Table 4-8 10Base-TX MII Input Timing

4.2.5 100Base-TX MII Output Timing

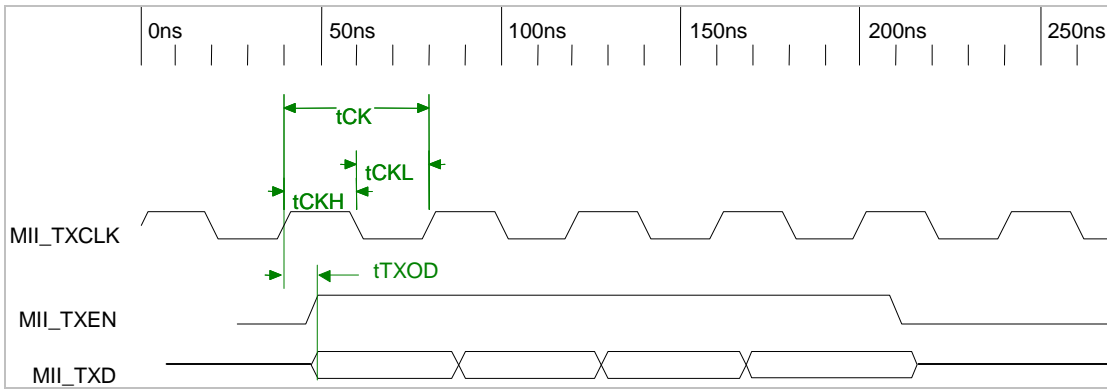


Figure 4-6 100Base-TX MII Output Timing

Symbol	Parameter	Conditions	Min	Typical	Max	Units
tCK	MII_TXCLK Period			40		ns
tCKL	MII_TXCLK Low Period		16		24	ns
tCKH	MII_TXCLK High Period		16		24	ns
tTXOD	MII_TXD, MII_TXEN to MII_TXCLK Rising Output Delay		10		20	ns

Table 4-9 100Base-TX MII Output Timing

4.2.6 100Base-TX MII Input Timing

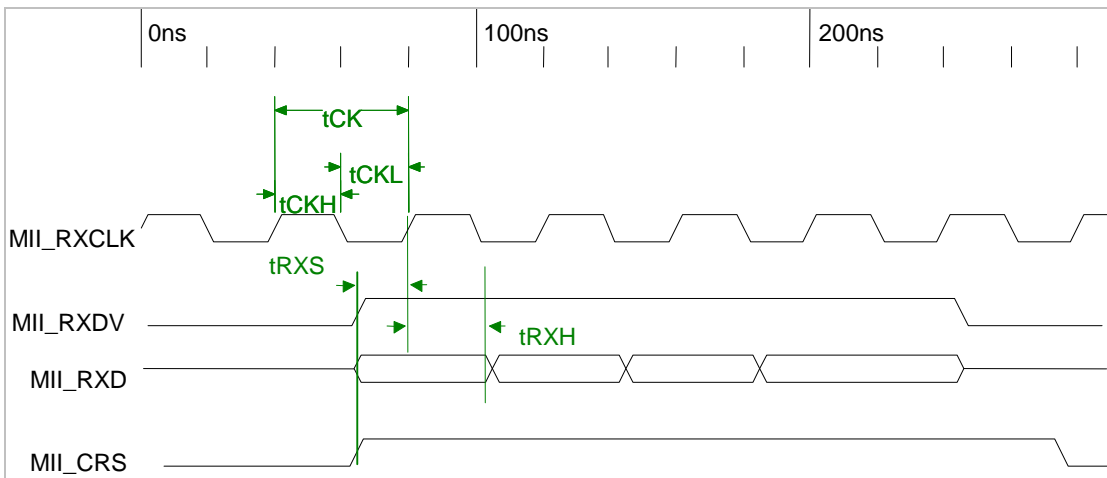


Figure 4-7 100Base-TX MII Input Timing

Symbol	Parameter	Conditions	Min	Typical	Max	Units
tCK	MII_RXCLK Period			40		ns
tCKL	MII_RXCLK Low Period		16		24	ns
tCKH	MII_RXCLK High Period		16		24	ns
tRXS	MII_CRS, MII_RXDV and MII_RXD to MII_RXCLK rising setup		10			ns
tRXH	MII_CRS, MII_RXDV and		10			ns

Symbol	Parameter	Conditions	Min	Typical	Max	Units
	MII_RXD to MII_RXCLK rising hold					

Table 4-10 100Base-TX MII Input Timing

4.2.7 Reduced MII Timing

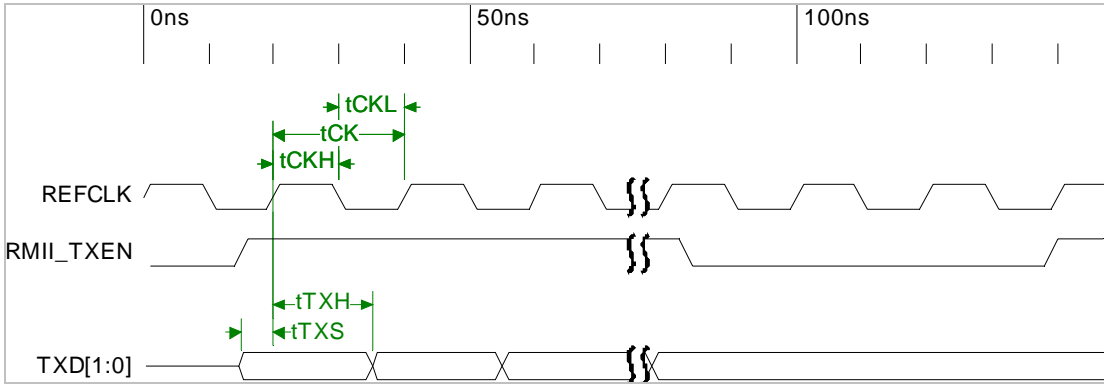


Figure 4-8 Reduced MII Timing (1 of 2)

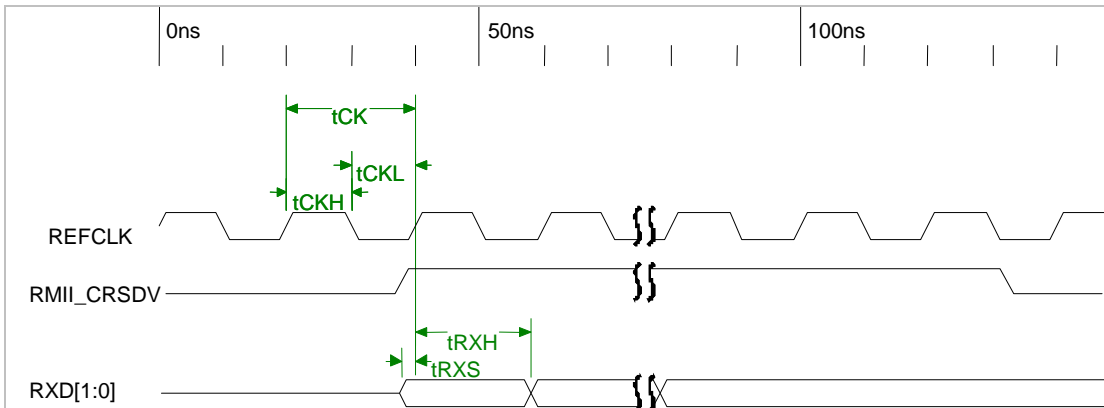


Figure 4-9 Reduced MII Timing (2 of 2)

Symbol	Parameter	Min	Typical	Max	Units
tCK	RMII_REFCLK Period		20		ns
tCKL	RMII_REFCLK Low Period		10		ns
tCKH	RMII_REFCLK High Period		10		ns
tTXS	TXEN, TXD to REFCLK rising setup time	4			ns
tTXH	TXEN, TXD to REFCLK rising hold time	2			ns
tRXS	CRSDV, RXD to REFCLK rising setup time	4			ns
tRXH	CRSDV, RXD to REFCLK rising hold time	2			ns

Table 4-11 Reduced MII Timing

4.2.8 SS_SMIIT Transmit Timing

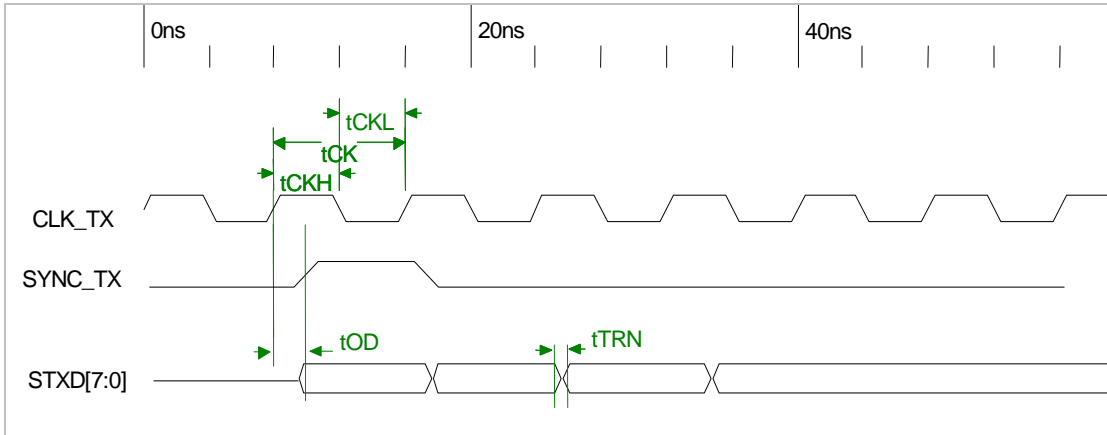


Figure 4-10 SS_SMIIT Transmit Timing

Symbol	Parameter	Conditions	Min	Typical	Max	Units
tCK	SS_SMIIT Output Clock Period			8		ns
tCKL	SS_SMIIT Output Clock Low Period			4		ns
tCKH	R SS_SMIIT Output Clock High Period			4		ns
tOD	Txdata/TxSync output delay to CLK_TX		2		5	ns
tTRN	Txdata/RxSync Rise/Fall Time			1		ns

Table 4-12 SS_SMIIT Transmit Timing

4.2.9 SS_SMIIT Receive Timing

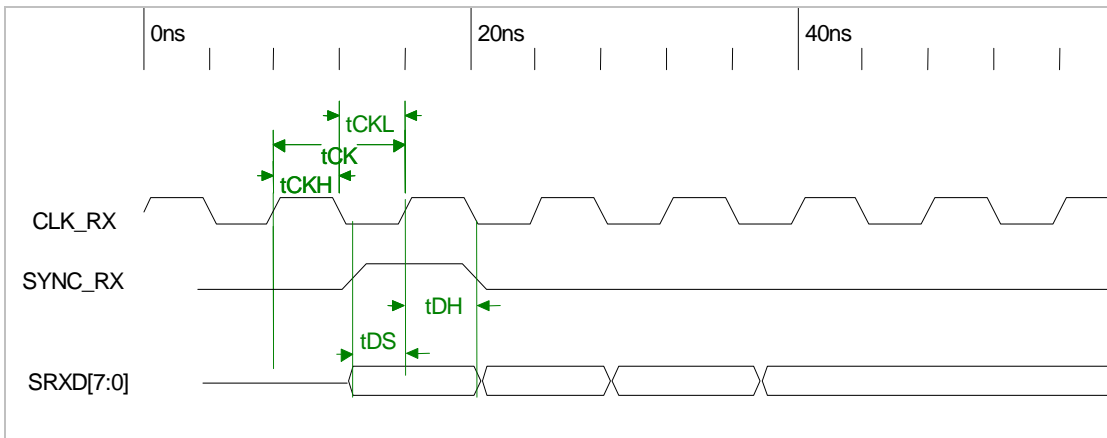


Figure 4-11 SS_SMIIT Receive Timing

Symbol	Parameter	Conditions	Min	Typical	Max	Units
tCK	SS_SMIIT CLK_RX Clock Period			8		ns
tCKL	SS_SMIIT CLK_RX Low Period			4		ns
tCKH	SS_SMIIT CLK_RX High Period			4		ns
tDS	Rxdata/RxSync setup to CLK_RX		1.5			ns

Symbol	Parameter	Conditions	Min	Typical	Max	Units
	rising edge					
tDH	Rxdata/RxSync hold from CLK_RX rising edge		1			ns

Table 4-13 SS_SMI Receive Timing

4.2.10 Serial Management Interface (MDC/MDIO) Timing

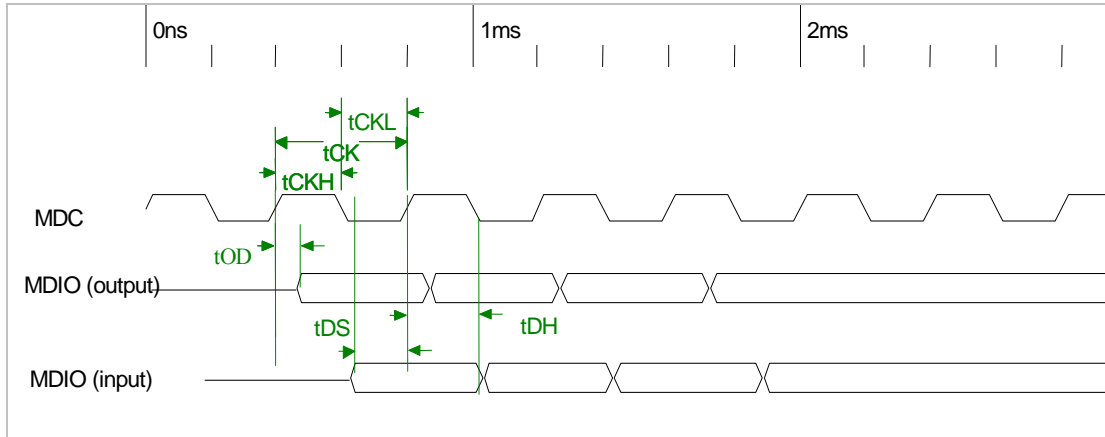


Figure 4-12 Serial Management Interface (MDC/MDIO) Timing

Symbol	Parameter	Conditions	Min	Typical	Max	Units
tCK	SS_SMI CLK_RX Clock Period			400		ns
tCKL	SS_SMI CLK_RX Low Period			200		ns
tCKH	SS_SMI CLK_RX High Period			200		ns
tOD	MDC to MDIO Output Delay				20	ns
tDS	MDIO Input to MDC Setup Time		10			ns
tDH	MDIO Input to MDC Hold Time		10			ns

Table 4-14 Serial Management Interface (MDC/MDIO) Timing

Chapter 5 Packaging

