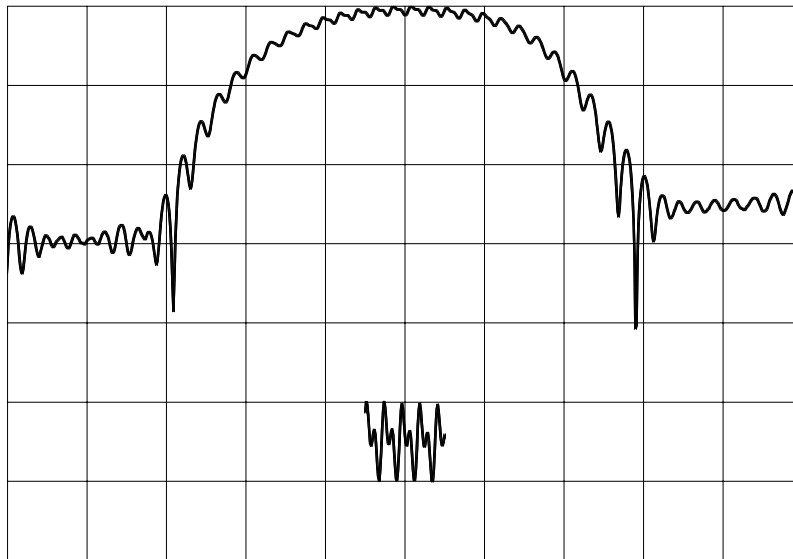




TYPICAL PERFORMANCE



Horizontal: 20 MHz/div Vertical (from top): Magnitude 10 dB/div
 Group Delay Deviation 40 ns/div

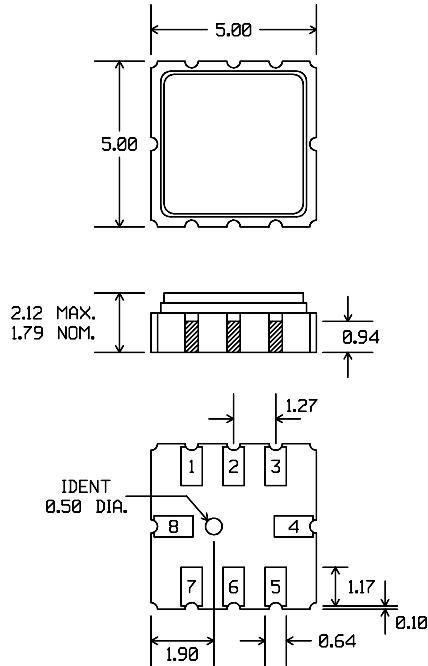
SPECIFICATION

Parameter	Min	Typ	Max	Units
Center Frequency		1575		MHz
Passband		20		MHz
Amplitude Ripple ¹		1.5	2	dB
Insertion Loss		19.3	23	dB
Average Group Delay ¹	220	224	230	ns
Group Delay Ripple ¹		41	50	ns
Substrate	YZ-LiNbO ₃			
Temperature Coefficient of Delay		90		ppm/°C
Ambient Temperature		25		°C
System Source & Load Impedance		50		Ω

Notes: 1. Evaluated over 1575±10 MHz



PACKAGE OUTLINE



Units: mm

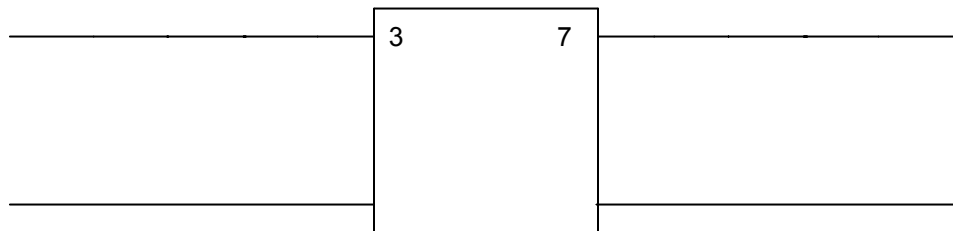
Pin Configuration:

Input: 3

Output: 7

Ground: 1,2,4,5,6,8

MATCHING CIRCUIT



No matching required.

ISO 9001
Registered