

### 3-Bit Registered Bus Transceiver

The MC10E/MC100E336 contains three bus transceivers with both transmit and receive registers. The bus outputs (BUS0–BUS2) are specified for driving a 25Ω bus; the receive outputs (Q0–Q2) are specified for 50Ω. The bus outputs feature a normal HIGH level (V<sub>OH</sub>) and a cutoff LOW level — when LOW, the outputs go to –2.0V and the output emitter-follower is “off”, presenting a high impedance to the bus. The bus outputs also feature edge slow-down capacitors.

- 25Ω Cutoff Bus Outputs
- 50Ω Receiver Outputs
- Transmit and Receive Registers
- 1500ps Max. Clock to Bus
- 1000ps Max. Clock to Q
- Bus Outputs Feature Internal Edge Slow-Down Capacitors
- Additional Package Ground Pins
- Extended 100E V<sub>EE</sub> Range of –4.2V to –5.46V
- 75kΩ Input Pulldown Resistors

The Transmit Enable pins (TEN) control whether current data is held in the transmit register, or new data is loaded from the A/B inputs. A LOW on both of the Bus Enable inputs (BUSEN), when clocked through the register, disables the bus outputs to –2.0V.

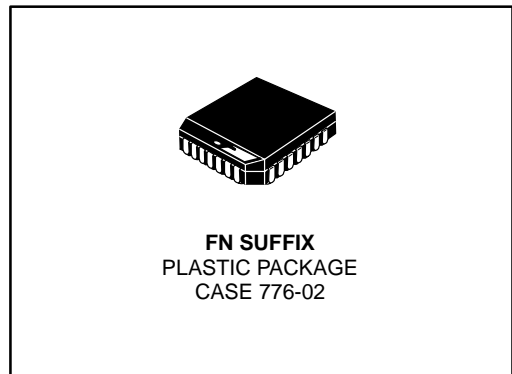
The receiver section clocks bus data into the receive registers, after gating with the Receive Enable (RXEN) input.

All registers are clocked by a positive transition of CLK1 or CLK2 (or both).

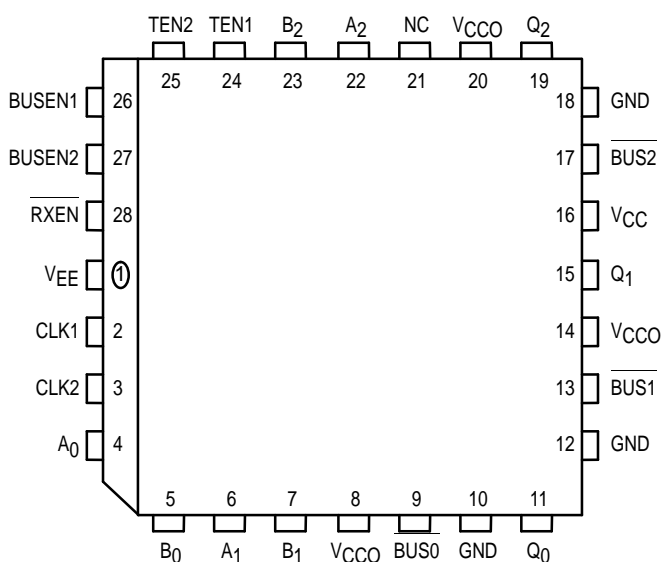
Additional leadframe grounding is provided through the Ground pins (GND) which should be connected to 0V. The GND pins are not electrically connected to the chip.

**MC10E336**  
**MC100E336**

**3-BIT REGISTERED**  
**BUS TRANSCEIVER**

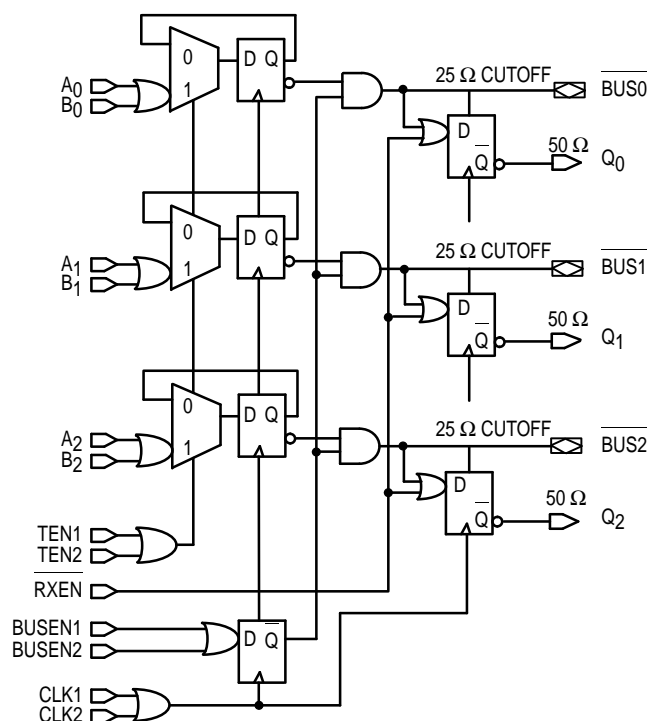


**Pinout: 28-Lead PLCC (Top View)**



\* All V<sub>CC</sub> and V<sub>CCO</sub> pins are tied together on the die.

**LOGIC DIAGRAM**



MC10E336 MC100E336

**DC CHARACTERISTICS** ( $V_{EE} = V_{EE}(\text{min})$  to  $V_{EE}(\text{max})$ ;  $V_{CC} = V_{CCO} = \text{GND}$ )

Symbol	Characteristic	0°C			25°C			85°C			Unit	Condition
		min	typ	max	min	typ	max	min	typ	max		
$V_{CUT}$	Cut-off Output Voltage <sup>1</sup>	-2.10		-2.03	-2.10		-2.03	-2.10		-2.03	V	
$I_{IH}$	Input HIGH Current RXEN All Other Inputs			225 150			225 150			225 150	μA	
$I_{EE}$	Power Supply Current 10E 100E		125	150		125	150		125	150	mA	
			125	150		125	150		144	173		

1. Measured with  $V_{TT} = -2.10\text{V}$

**AC CHARACTERISTICS** ( $V_{EE} = V_{EE}(\text{min})$  to  $V_{EE}(\text{max})$ ;  $V_{CC} = V_{CCO} = \text{GND}$ )

Symbol	Characteristic	0°C			25°C			85°C			Unit	Condition
		min	typ	max	min	typ	max	min	typ	max		
$t_{PLH}$ $t_{PHL}$	Propagation Delay to Output Clk to $\underline{Q}$ Clk to BUS	500 825	700 1250	100 1800	500 825	700 1250	1000 1800	500 825	700 1250	1000 1800	ps	
$t_s$	Setup Time BUS, RXEN BUSEN A, B Data TEN	150 100 300 450	-150 -200 -50 150		150 100 300 450	-150 -200 -50 150		150 100 300 450	-150 -200 -50 150		ps	
$t_h$	Hold Time BUS, RXEN BUSEN A, B Data TEN	450 500 350 200	150 200 50 -150		450 500 350 200	150 200 50 -150		450 500 350 200	150 200 50 -150		ps	
$t_{PW}$	Minimum Pulse Width Clk	400			400			400			ps	
$t_r$ $t_f$	Rise/Fall Times 20 - 80% ( $\underline{Qn}$ ) 20 - 80% ( $\underline{BUSn}$ Rise) 20 - 80% ( $\underline{BUSn}$ Fall)	300 500 300	450 800 500	700 1000 800	300 500 300	450 800 500	700 1000 800	300 500 300	450 800 500	700 1000 800	ps	

OUTLINE DIMENSIONS

FN SUFFIX  
 PLASTIC PLCC PACKAGE  
 CASE 776-02  
 ISSUE D



NOTES:

- DATUMS -L-, -M-, AND -N- DETERMINED WHERE TOP OF LEAD SHOULDER EXITS PLASTIC BODY AT MOLD PARTING LINE.
- DIM G1, TRUE POSITION TO BE MEASURED AT DATUM -T-, SEATING PLANE.
- DIM R AND U DO NOT INCLUDE MOLD FLASH. ALLOWABLE MOLD FLASH IS 0.010 (0.250) PER SIDE.
- DIMENSIONING AND TOLERANCING PER ANSI Y14.5M, 1982.
- CONTROLLING DIMENSION: INCH.
- THE PACKAGE TOP MAY BE SMALLER THAN THE PACKAGE BOTTOM BY UP TO 0.012 (0.300). DIMENSIONS R AND U ARE DETERMINED AT THE OUTERMOST EXTREMES OF THE PLASTIC BODY EXCLUSIVE OF MOLD FLASH, TIE BAR BURRS, GATE BURRS AND INTERLEAD FLASH, BUT INCLUDING ANY MISMATCH BETWEEN THE TOP AND BOTTOM OF THE PLASTIC BODY.
- DIMENSION H DOES NOT INCLUDE DAMBAR PROTRUSION OR INTRUSION. THE DAMBAR PROTRUSION(S) SHALL NOT CAUSE THE H DIMENSION TO BE GREATER THAN 0.037 (0.940). THE DAMBAR INTRUSION(S) SHALL NOT CAUSE THE H DIMENSION TO BE SMALLER THAN 0.025 (0.635).

DIM	INCHES		MILLIMETERS	
	MIN	MAX	MIN	MAX
A	0.485	0.495	12.32	12.57
B	0.485	0.495	12.32	12.57
C	0.165	0.180	4.20	4.57
E	0.090	0.110	2.29	2.79
F	0.013	0.019	0.33	0.48
G	0.050 BSC		1.27 BSC	
H	0.026	0.032	0.66	0.81
J	0.020	—	0.51	—
K	0.025	—	0.64	—
R	0.450	0.456	11.43	11.58
U	0.450	0.456	11.43	11.58
V	0.042	0.048	1.07	1.21
W	0.042	0.048	1.07	1.21
X	0.042	0.056	1.07	1.42
Y	—	0.020	—	0.50
Z	2°		10°	
G1	0.410	0.430	10.42	10.92
K1	0.040	—	1.02	—

Motorola reserves the right to make changes without further notice to any products herein. Motorola makes no warranty, representation or guarantee regarding the suitability of its products for any particular purpose, nor does Motorola assume any liability arising out of the application or use of any product or circuit, and specifically disclaims any and all liability, including without limitation consequential or incidental damages. "Typical" parameters which may be provided in Motorola data sheets and/or specifications can and do vary in different applications and actual performance may vary over time. All operating parameters, including "Typicals" must be validated for each customer application by customer's technical experts. Motorola does not convey any license under its patent rights nor the rights of others. Motorola products are not designed, intended, or authorized for use as components in systems intended for surgical implant into the body, or other applications intended to support or sustain life, or for any other application in which the failure of the Motorola product could create a situation where personal injury or death may occur. Should Buyer purchase or use Motorola products for any such unintended or unauthorized application, Buyer shall indemnify and hold Motorola and its officers, employees, subsidiaries, affiliates, and distributors harmless against all claims, costs, damages, and expenses, and reasonable attorney fees arising out of, directly or indirectly, any claim of personal injury or death associated with such unintended or unauthorized use, even if such claim alleges that Motorola was negligent regarding the design or manufacture of the part. Motorola and  are registered trademarks of Motorola, Inc. Motorola, Inc. is an Equal Opportunity/Affirmative Action Employer.

**How to reach us:**

**USA/EUROPE/Locations Not Listed:** Motorola Literature Distribution;  
P.O. Box 20912; Phoenix, Arizona 85036. 1-800-441-2447 or 602-303-5454

**MFAX:** RMFAX0@email.sps.mot.com – TOUCHTONE 602-244-6609  
**INTERNET:** <http://Design-NET.com>

**JAPAN:** Nippon Motorola Ltd.; Tatsumi-SPD-JLDC, 6F Seibu-Butsuryu-Center,  
3-14-2 Tatsumi Koto-Ku, Tokyo 135, Japan. 03-81-3521-8315

**ASIA/PACIFIC:** Motorola Semiconductors H.K. Ltd.; 8B Tai Ping Industrial Park,  
51 Ting Kok Road, Tai Po, N.T., Hong Kong. 852-26629298

