



ST624XB-KIT

STARTER KIT FOR ST624x MCU FAMILY

HARDWARE FEATURES

- Immediate evaluation of ST6240 with demonstration examples
- Program debugging within the user's real application environment
- Onboard programming of ST62E46 and ST62T46
- In-circuit programming of ST62E4x and ST62T4x devices on the user's application board

SOFTWARE FEATURES

- Software simulator including LCD display and I/O read/write
- Assembler, linker, debugger
- EPROM/OTP programming utilities
- Application examples



The Starter Kit Board

The Starter Kit board includes the following resources:

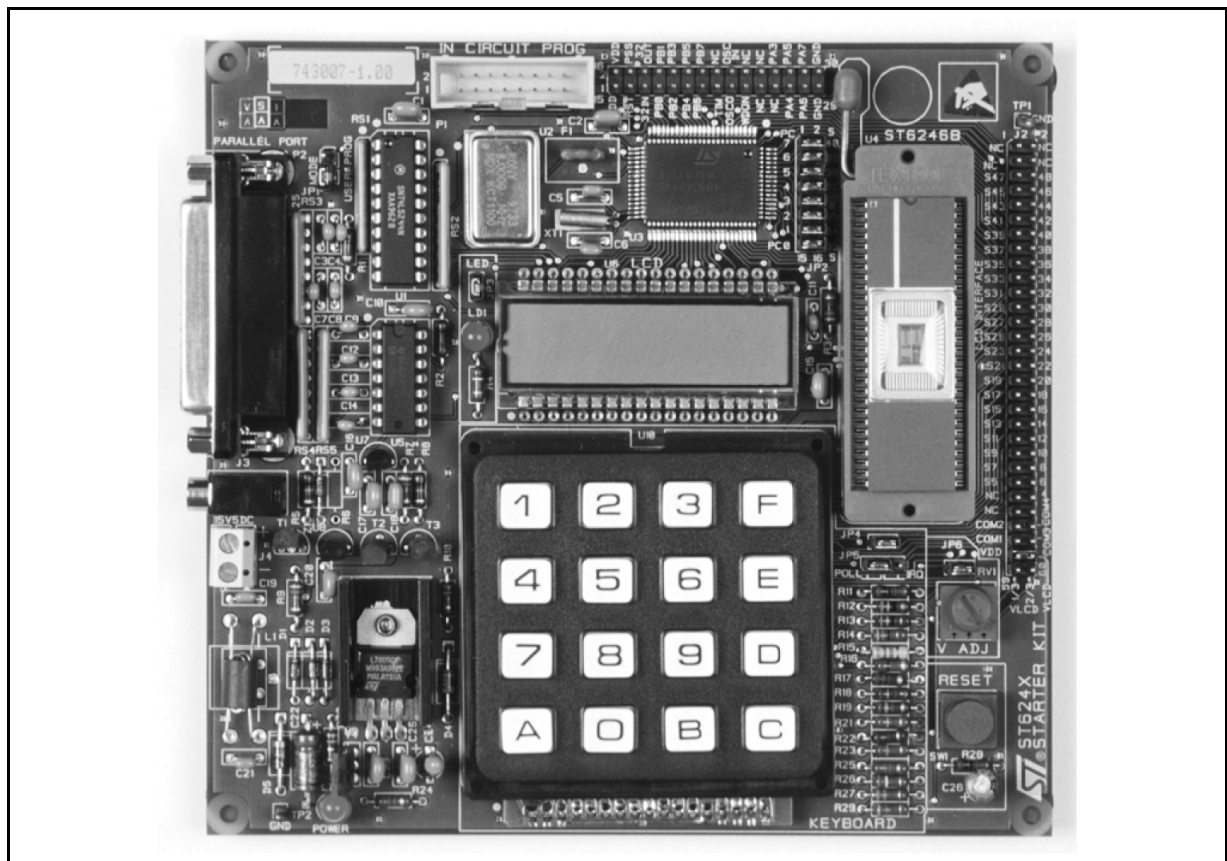
- A Reset button.
- An 8-alphanumeric digit LCD.
- A hexadecimal keyboard.
- A LED indicator.
- A resistance trimmer.
- One 8 MHz and one 32 KHz oscillator.
- A SDIP56 ZIF socket to program the ST62E46B or ST62T46B.

It comes with its own power supply unit that can be plugged into an AC mains source, or a DC source with the following characteristics:

- Voltage: 16V min./20V max.
- Current: 100 mA min.

It includes the following connectors:

- A parallel port connector (P2) for connection to the host PC when it is used as a hardware simulator or for programming.
- A remote resource I/O interface (J1).
- An in-circuit ST6 programming board connector (P1).
- A remote LCD connector (J2) to which you can connect your own LCD.



The following diagram shows the layout of the Starter Kit board.

- | | | | |
|---|--|----|---|
| 1 | In-circuit programming connector P1. | 17 | Remote resource I/O interface J1. |
| 2 | “Programming” or “User” operating mode selection jumper JP1. | 16 | Remote LCD interface connector J2. |
| 3 | 8 Mhz oscillator. | 15 | ST62T40B MCU |
| 4 | PC connector P2. | 14 | LCD protection with jumper JP2 if the combi-port PC0-7 is used. |
| 5 | 32.768 KHz oscillator. | 13 | SDIP56 ZIF MCU socket. |
| 6 | LED indicator LD1. | 12 | Keyboard |
| 7 | LCD display. | 11 | Voltage trimmer |
| 8 | Power supply JACK connector J3. | 10 | RESET button. |
| 9 | Power supply LED indicator LD2. | | |

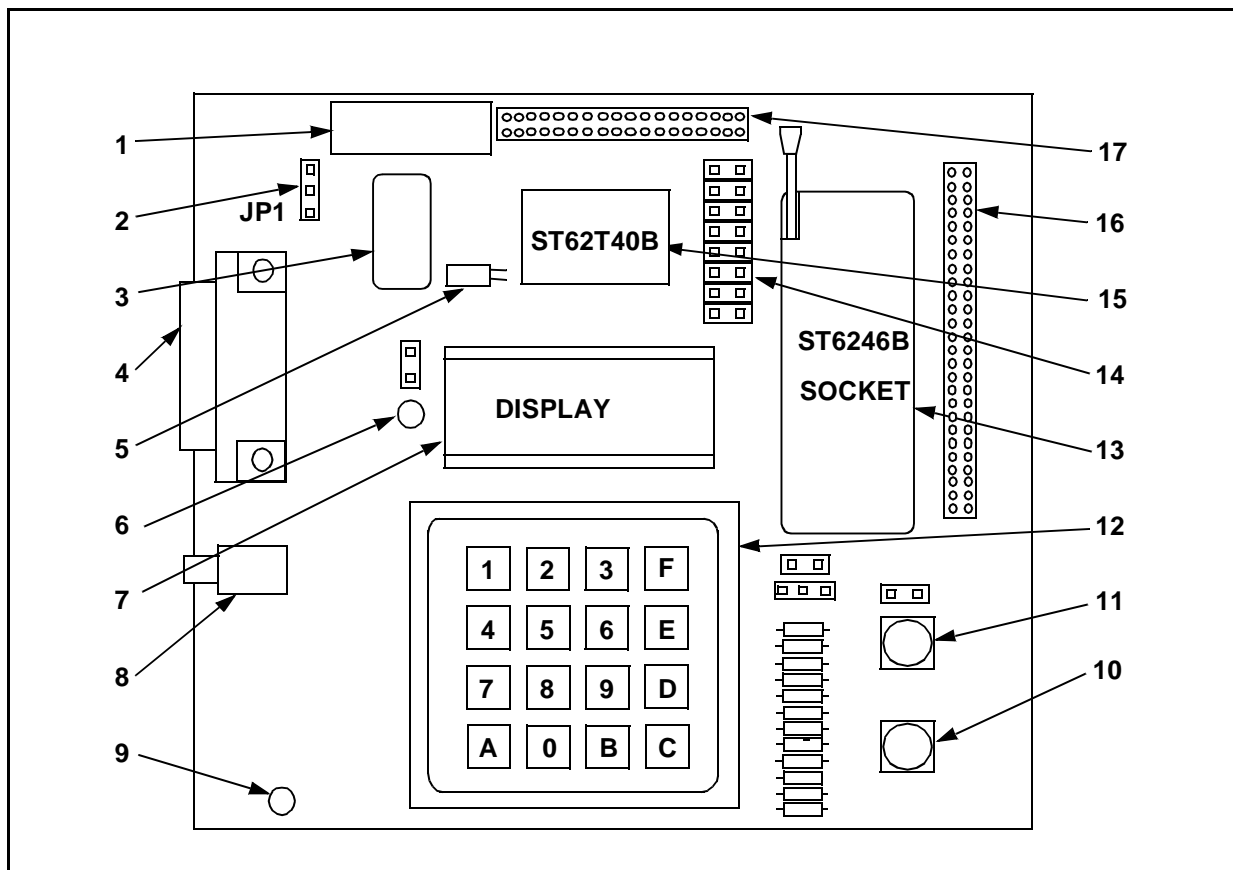
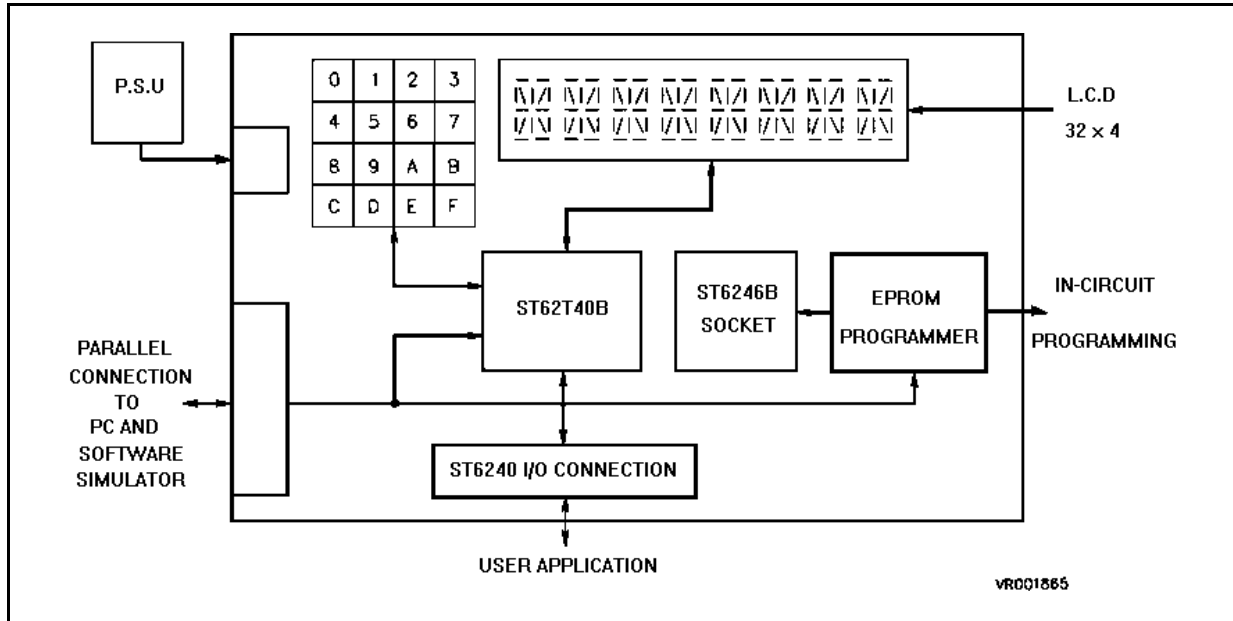


Figure 2. Block Diagram of the Starter Kit board



ORDERING INFORMATION

Sales Type	Description
ST624XB-KIT/UK	Starter Kit for ST624x MCUs for operation in United Kingdom
ST624XB-KIT/110	Starter Kit for ST624x MCUs for operation from 110 Vac mains
ST624XB-KIT/220	Starter Kit for ST624x MCUs for operation from 220 Vac mains

Information furnished is believed to be accurate and reliable. However, STMicroelectronics assumes no responsibility for the consequences of use of such information nor for any infringement of patents or other rights of third parties which may result from its use. No license is granted by implication or otherwise under any patent or patent rights of STMicroelectronics. Specifications mentioned in this publication are subject to change without notice. This publication supersedes and replaces all information previously supplied. STMicroelectronics products are not authorized for use as critical components in life support devices or systems without the express written approval of STMicroelectronics.

The ST logo is a registered trademark of STMicroelectronics

©1998 STMicroelectronics - All Rights Reserved.

Purchase of I²C Components by STMicroelectronics conveys a license under the Philips I²C Patent. Rights to use these components in an I²C system is granted provided that the system conforms to the I²C Standard Specification as defined by Philips.

STMicroelectronics Group of Companies

Australia - Brazil - Canada - China - France - Germany - Italy - Japan - Korea - Malaysia - Malta - Mexico - Morocco - The Netherlands - Singapore - Spain - Sweden - Switzerland - Taiwan - Thailand - United Kingdom - U.S.A.

<http://www.st.com>