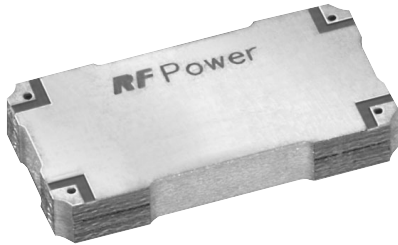


Description

The S03B700W1 is a low profile 3 dB hybrid coupler in an easy to use surface mount package covering 400 to 1000MHz. The S03B700W1 is ideal for balanced amplifiers and signal distribution and can be used in very high power designs. Parts have been run through rigorous qualifications and units are 100% tested. They are manufactured using materials with X and Y thermal expansion coefficients compatible with common substrates.



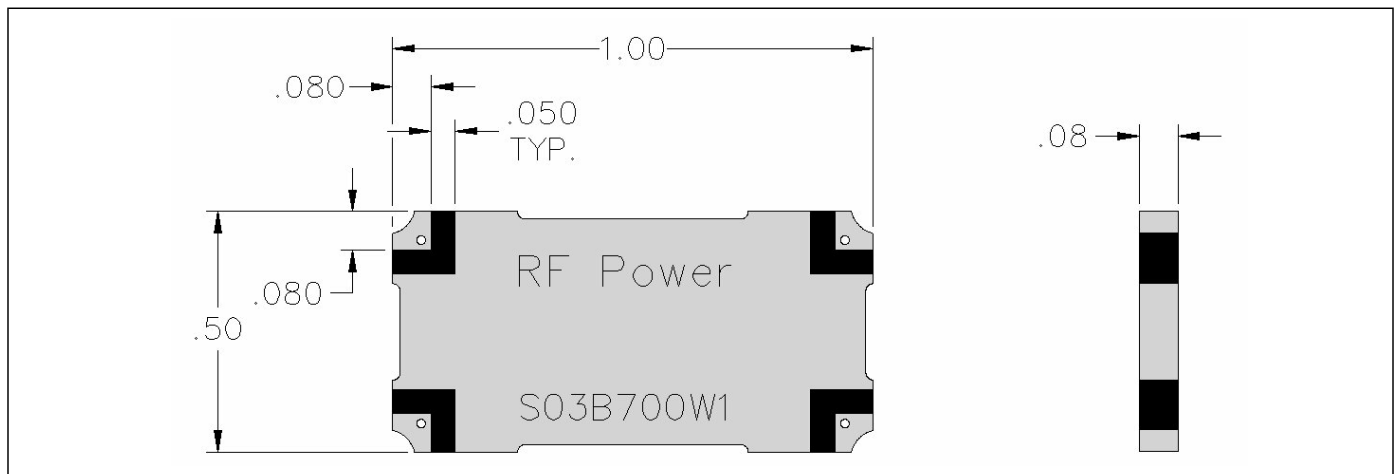
Features

- 400 - 1000 MHz
- 100 Watts
- Low Loss
- High Isolation
- 90° Quadrature
- Surface Mountable
- Tape and Reel
- Convenient Package
- 100% Tested

Electrical Specifications

Frequency MHz	Isolation dB Min	Insert. Loss dB Max	VSWR Max: 1
400 - 1000	20	0.25	1.25
Amp. Bal. dB Max	Phase Bal. Degrees Max	Temp. °C	Power Avg. CW Watts
±0.65	3	-55 to +85	100

Outline Drawing



VER. 27/02



Available on Tape and Reel for Pick and Place Manufacturing.

Sales Desk USA: Voice: (800) 544-2414 Fax: (315) 432-9121
Sales Desk Europe: Voice: (+44) 23 92 232392 Fax: (+44) 23 92 251369

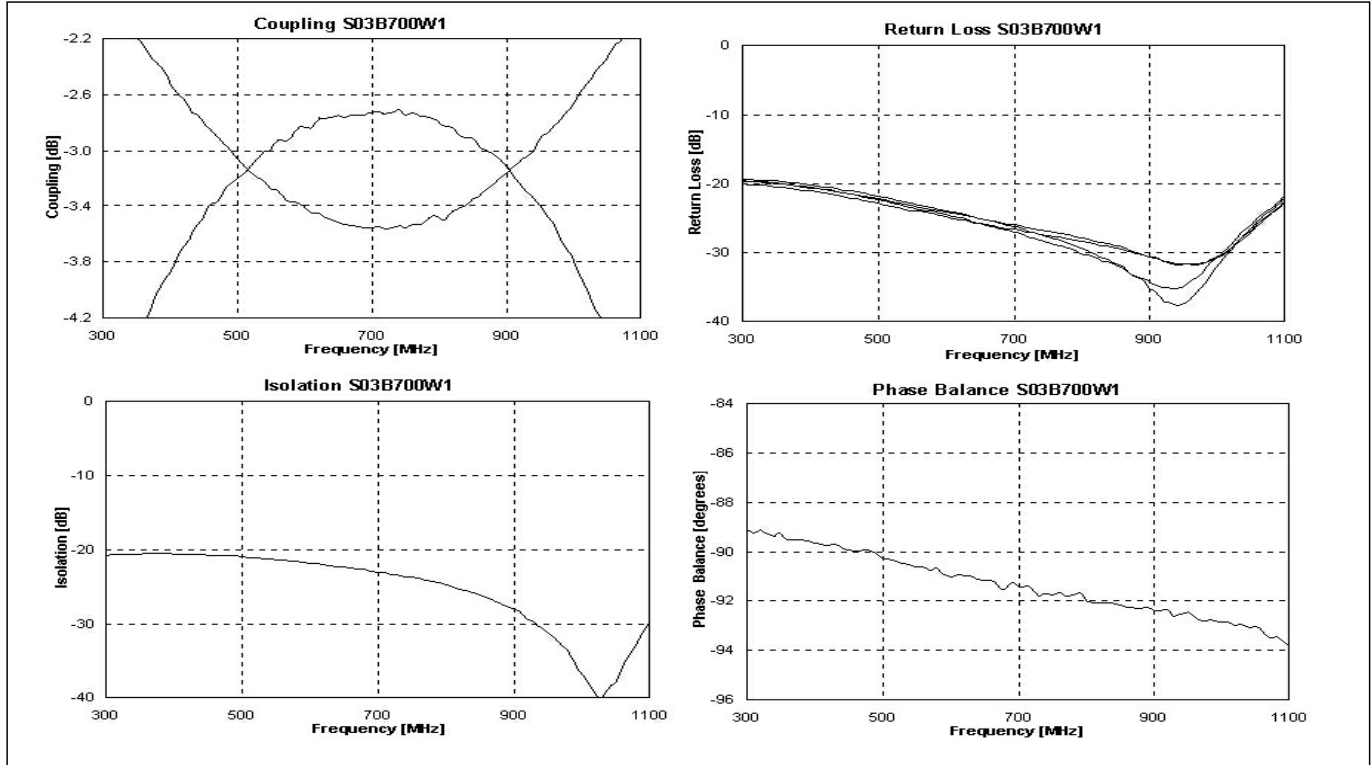
Model S03B700W1



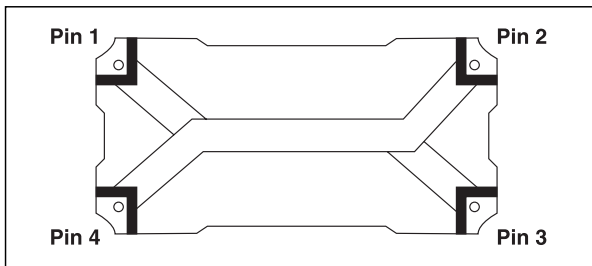
www.anaren.com



Typical Performance

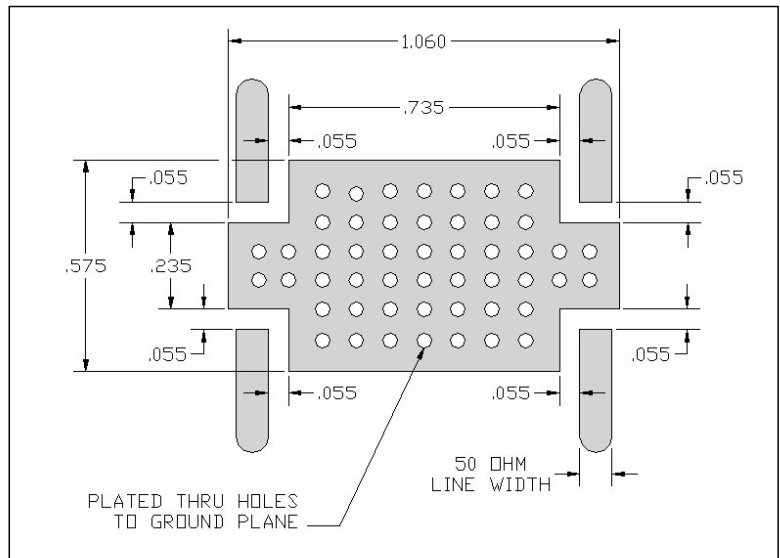


Pin Configuration



	Pin 1	Pin 2	Pin 3	Pin 4
#1	Input	Isolated	-3dB, -90°	-3dB, 0°
#2	Isolated	Input	-3dB, 0°	-3dB, -90°
#3	-3dB, -90°	-3dB, 0°	Input	Isolated
#4	-3dB, 0°	-3dB, -90°	Isolated	Input

Mounting Footprint



Available on Tape and Reel for Pick and Place Manufacturing.



Sales Desk USA: Voice: (800) 544-2414 Fax: (315) 432-9121
 Sales Desk Europe: Voice: (+44) 23 92 232392 Fax: (+44) 23 92 251369