

### FEATURES

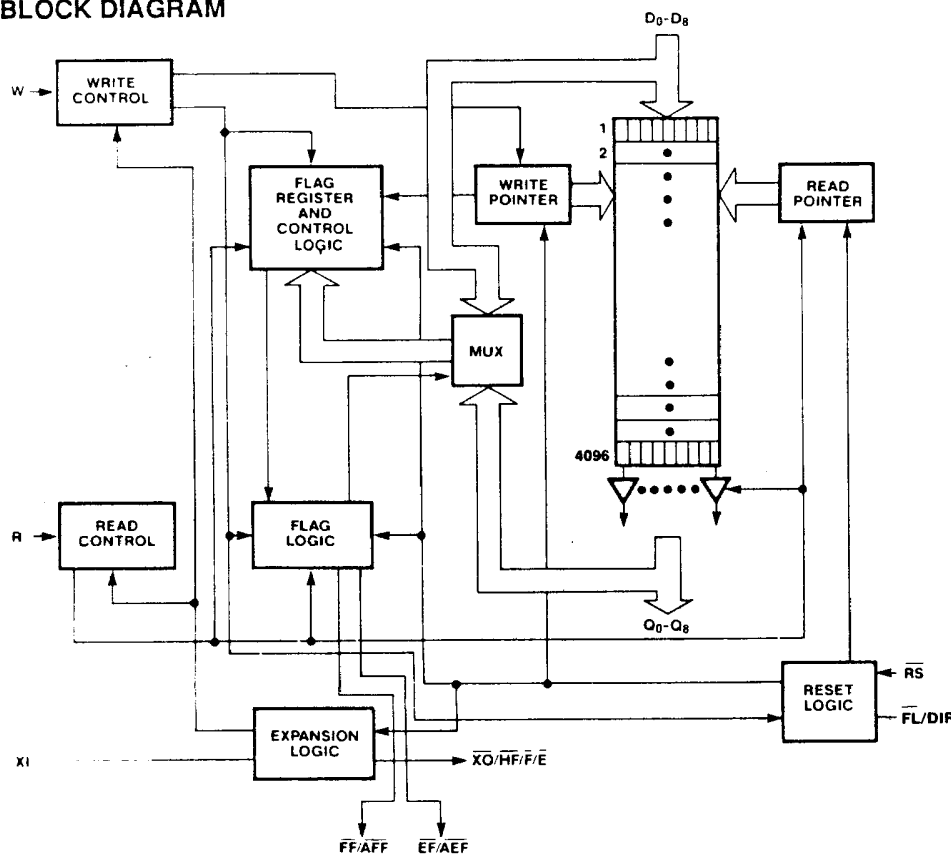
- First-In-First-Out Dual Port Memory  
— 4K x 9
- Very High Speed  
— 20ns Read/Write  
— 30ns cycle time
- Two Fully Configurable Almost Full and Almost Empty Flags
- Register Loading via the Input or the Output pins
- Flag reconfiguration on the fly
- Programmable HF Flag or Full/Empty Flag option eliminates external counter requirement
- Fully Compatible with Existing FIFOs
- Depth and Width Expandabilities
- Low Power Consumption  
— Standby: 15mA  
— Active: 120mA

### DESCRIPTION

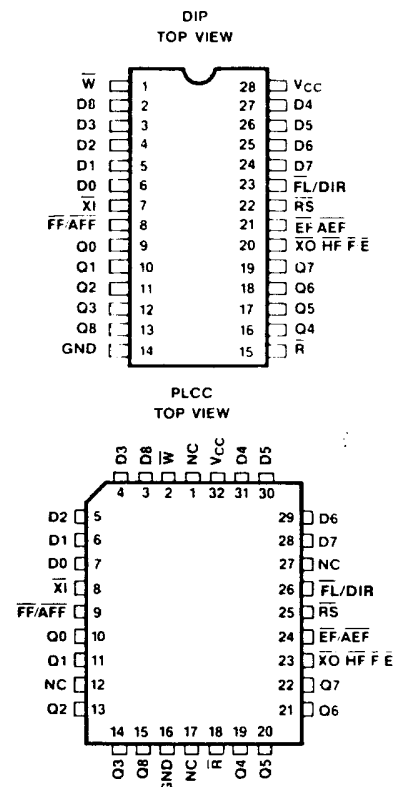
The 75C104A is a 4K x 9 dual port memory that implements a special First-In-First-Out (FIFO) algorithm that loads and empties data on a first-in-first-out basis. Several fixed and configurable flags have been added for efficient device utilization. The part is fully expandable in both depth and width without any performance loss.

No address information is required for read or write operation. A ring counter generates required addresses for each operation. Data is toggled in and out of the device through the use of Write ( $\bar{W}$ ) and Read ( $\bar{R}$ ) pins. The read and write operations are independent of each other.

### BLOCK DIAGRAM



### PIN CONFIGURATIONS



**DESCRIPTION (Continued)**

The FIFO status can be determined by its flag states. In non-configured mode, the device defaults to the standard FIFO mode, providing a Half-Full (HF) Flag, a Full Flag (FF) and an Empty Flag (EF). The assertion and deassertion timing of these flags are identical to the flag timing of the standard FIFO.

In configured mode, a maximum of three Flags are provided. The first two are the Almost-Full Flag (AFF) and the Almost-Empty Flag (AEF) with programmable offset. The third flag is either the HF or the F/E flag based on bit configuration of the flag register. All three flags are reconfigurable on the fly.

The 75C104 is fabricated using proprietary high speed CMOS, 1.2 micron technology. These parts are ideal for applications requiring asynchronous and simultaneous read/write operation such as multiprocessing and data acquisition. These parts are typically used as temporary data storage for system synchronization.

**Operating Mode**

$\overline{RS}$	$\overline{R}$	$\overline{W}$	DIR	Mode
L	H	H	X	Device Reset
L	L	L	H	Flag register loading through input pins
L	L	L	L	Flag register loading through output pins
L	L	H	X	No OP
L	H	L	X	No OP
H	X	X	X	Normal array access

X: Don't Care

**Pin Descriptions**

Symbol	Pin Number	Type	Name and Function
$\overline{W}$	1	I	WRITE: A low on this pin loads data into the device. The internal write pointer is incremented after the rising edge of the write input.
D0–D8	2–6, 24–27	I	DATA INPUTS: Data on these lines are stored in the memory array or flag registers during array write or register programming, respectively.
$\overline{XI}$	7	I	EXPANSION-IN: This pin is used for depth expansion mode. In single device mode, it should be grounded. In expanded mode, it should be connected to Expansion-out of the previous device in the daisy chain.
$\overline{FF}/\overline{AFF}$	8	O	FULL FLAG/ALMOST FULL FLAG: This output pin indicates the FIFO status. When in non-configured mode, this pin is a Full Flag output. In configured mode, it is an Almost Full Flag output.
Q0–Q8	9–13, 16–19	I/O	DATA OUTPUTS: These pins can be used for data retrieval. The pins become inputs during register loading with DIR input high. The outputs are disabled (Three-state) during device idle ( $\overline{R}$ = High).
$\overline{R}$	15	I	READ: A low on this pin puts data in the memory array on the output bus. The internal read pointer is incremented at the rising edge of the read signal. Outputs are Three-state when this pin is high.
$\overline{XO}/\overline{HF}/\overline{F}/\overline{E}$	20	O	EXPANSION OUT/HALF FULL/FULL/EMPTY: This pin's function is determined by its operation mode. When in single device mode, this pin is either HF Flag or a Full/Empty Flag, depending on the state of the 9th bit of Almost Full Flag Register. The pin is an $\overline{XO}$ output when the part is in depth expansion mode.

## Pin Descriptions (Continued)

Symbol	Pin Number	Type	Name and Function
$\overline{EF}/\overline{AEF}$	21	O	EMPTY FLAG/ALMOST EMPTY FLAG: This output pin indicates the FIFO status. When in non-configured mode, this pin is an Empty Flag output. When in configured mode, it is an Almost Empty Flag output. This pin is active low.
$\overline{RS}$	22	I	RESET: This pin is used to reset the device and load internal flag registers. During device reset, all internal pointers and registers are cleared.
$\overline{FL}/DIR$	23	I	FIRST LOAD/DIRECTION: When in register load mode, the pin is used for register loading direction. When it is high, registers are loaded through the input pins. When it is low, registers are loaded through the output pins. In depth expansion mode, this pin should be tied low if the device is the first one in the chain and tied high if it is not the first one.
GND	14	I	GROUND
$V_{cc}$	28	I	$V_{cc}$

**ABSOLUTE MAXIMUM RATINGS<sup>(1)</sup>**

Item	Symbol	Rating	Unit
Voltage on any pin relative to GND	$V_{IN}$	-0.5 to 7.0	V
Operating Temperature	$T_A$	0 to +70	°C
Temperature Under Bias	$T_{bias}$	-55 to +125	°C
Storage Temperature	$T_{stg}$	-65 to +150	°C
DC Output Current	$I_{OUT}$	50	mA

**Note:**

- Permanent device damage may occur if ABSOLUTE MAXIMUM RATINGS are exceeded. Functional operation should be restricted to the conditions as detailed in the operational sections of this data sheet. Exposure to absolute maximum rating conditions for extended periods may affect device reliability.

**RECOMMENDED OPERATING CONDITIONS (Voltages referenced to GND,  $T_A = 0$  to 70°C)**

Item	Symbol	Min	Typ	Max	Unit
Supply Voltage	$V_{CC}$	4.5	5.0	5.5	V
Input High Voltage	$V_{IH}$	2.0			V
Input Low Voltage	$V_{IL}$			0.8	V

**DC OPERATING CHARACTERISTICS ( $V_{CC} = 5V \pm 10\%$ )**

Parameter	Symbol	Min	Typ	Max	Unit
Active Supply Current <sup>(1,2)</sup>	$I_{CC}$			60	mA
Standby Current-TTL <sup>(1)</sup> (All inputs = $V_{IH}$ )	$I_{SB1}$			15	mA
Standby Current-CMOS <sup>(1)</sup> (All inputs = $V_{CC} - 0.2V$ )	$I_{SB2}$			5	mA
Input Leakage Current <sup>(3)</sup>	$I_{IL}$			1	$\mu A$
Output Leakage Current <sup>(4)</sup>	$I_{OL}$			10	$\mu A$
Output High Voltage Level $I_{OH} = -2mA$	$V_{OH}$	2.4			V
Output Low Voltage Level $I_{OL} = 8mA$	$V_{OL}$			0.4	V

**Notes:**

- $I_{CC}$  and  $I_{SB}$  measurements are made with outputs open.
- Active supply current is 60mA for -50ns, 100mA for -35ns and 120mA for -25ns and -20ns.
- Measurements with  $GND \leq V_{IN} \leq V_{CC}$ .
- $\bar{R} \geq V_{IH}$ ,  $GND \leq V_{OUT} \leq V_{CC}$ .

AC ELECTRICAL CHARACTERISTICS ( $V_{CC} = 5V \pm 10\%$ ,  $T_A = 0^\circ\text{C}$  to  $+70^\circ\text{C}$ ) (Non-Configured Mode)

Symbol	Parameter	75C104A-20		75C104A-25		75C104A-35		Unit
		Min	Max	Min	Max	Min	Max	
$t_{RC}$	Read Cycle Time	30		35		45		ns
$t_A$	Access Time		20		25		35	ns
$t_{RR}$	Read Recovery Time	10		10		10		ns
$t_{RPW}$	Read Pulse Width <sup>(2)</sup>	20		25		35		ns
$t_{DV}$	Data Valid after $\bar{R}$ High	5		5		5		ns
$t_{RHZ}$	$\bar{R}$ High to Data Bus at High Z <sup>(3)</sup>		15		20		20	ns
$t_{WC}$	Write Cycle Time	30		35		45		ns
$t_{WPW}$	Write Pulse Width <sup>(2)</sup>	20		25		35		ns
$t_{WR}$	Write Recovery Time	10		10		10		ns
$t_{DS}$	Data Setup Time	12		15		18		ns
$t_{DH}$	Data Hold Time	0		0		0		ns
$t_{RHRS}$	$\bar{R}$ High Before $\bar{RS}$ Low	0		0		0		ns
$t_{WHRS}$	$\bar{W}$ High Before $\bar{RS}$ Low	0		0		0		ns
$t_{RSC}$	Reset Cycle Time	30		35		45		ns
$t_{RS}$	Reset Pulse Width <sup>(2)</sup>	20		25		35		ns
$t_{RSR}$	Reset Recovery Time	10		10		10		ns
$t_{RSFV}$	Reset to Flag Output Valid (All Flags)		30		35		45	ns
$t_{REF}$	Read Low to Empty Flag Low		20		25		30	ns
$t_{RFF}$	Read High to Full Flag High		20		25		30	ns
$t_{WEF}$	Write High to Empty Flag High		20		25		30	ns
$t_{WFF}$	Write Low to Full Flag Low		20		25		30	ns
$t_{WHF}$	Write Low to Half-Full Flag Low		30		35		45	ns
$t_{RHF}$	Read High to Half-Full Flag High		30		35		45	ns
$t_{XOL}$	Expansion Out Low Delay from Clock		20		25		35	ns
$t_{XOH}^{(4)}$	Expansion Out High Delay from Clock		20		25		35	ns
$t_{PXI}$	$\bar{X}$ I Pulse Width	20		25		35		ns
$t_{XIR}$	$\bar{X}$ I Recovery Time	10		10		10		ns
$t_{XIS}$	$\bar{X}$ I Set-Up to Write or Clock	12		15		15		ns

AC ELECTRICAL CHARACTERISTICS ( $V_{CC} = 5V \pm 10\%$ ,  $T_A = 0^\circ C$  to  $+70^\circ C$ ) (Configured Mode)

Symbol	Parameter	75C104A-20		75C104A-25		75C104A-35		Unit
		Min	Max	Min	Max	Min	Max	
$t_{RC}$	Read Cycle Time	30		35		45		ns
$t_A$	Access Time		20		25		35	ns
$t_{RR}$	Read Recovery Time	10		10		10		ns
$t_{RPW}$	Read Pulse Width <sup>(2)</sup>	20		25		35		ns
$t_{DV}$	Data Valid After $\bar{R}$ High	5		5		5		ns
$t_{RHZ}$	$\bar{R}$ High to Data Bus at High $Z$ <sup>(3)</sup>		15		15		15	ns
$t_{WC}$	Write/Load Cycle Time	30		35		45		ns
$t_{WPW}$	Write/Load Pulse Width	20		25		35		ns
$t_{WR}$	Write/Load Recovery Time	10		10		10		ns
$t_{DS}$	Data Setup Time	12		15		18		ns
$t_{DH}$	Data Hold Time	0		0		0		ns
$t_{RHRS}$	$\bar{R}$ High Before $\bar{RS}$ Low	0		0		0		ns
$t_{WHRS}$	$\bar{W}$ High Before $\bar{RS}$ Low	0		0		0		ns
$t_{RS}$	Reset Pulse Width or Reset to $\bar{R}$ Low	20		25		35		ns
$t_{RSC}$	Reset Cycle Time (no Register Programming)	30		35		45		ns
$t_{RSPC}$	Reset and Register Programming Cycle Time	100		115		145		ns
$t_{RDV}$	$\bar{R}$ Low to DIR Valid ( Register Load Cycle)	5		5		5		ns
$t_{RW}$	$\bar{R}$ Low to Register Load	10		10		10		ns
$t_{RSR}$	Reset/Register Programming Recovery Time	10		10		10		ns
$t_{RSFV}$	Reset to Flag Output Valid (All Flags)		15		15		15	ns
$t_{REF}$	Read Low to Empty Flag Low		20		25		30	ns
$t_{RAEF}$	Read Low to Almost Empty Flag Low		30		35		45	ns

**AC ELECTRICAL CHARACTERISTICS** ( $V_{CC} = 5V \pm 10\%$ ,  $T_A = 0^\circ C$  to  $+70^\circ C$ ) (Configured Mode)

Symbol	Parameter	75C104A-20		75C104A-25		75C104A-35		Unit
		Min	Max	Min	Max	Min	Max	
$t_{RFF}$	Read High to Full Flag High		20		25		30	ns
$t_{RAFF}$	Read High to Almost Full Flag High		30		35		45	ns
$t_{WEF}$	Write High to Empty Flag High		20		25		30	ns
$t_{WAEF}$	Write High to Almost Empty Flag High		30		35		45	ns
$t_{WFF}$	Write Low to Full Flag Low		20		35		30	ns
$t_{WAEF}$	Write Low to Almost Full Flag Low		30		35		45	ns
$t_{WHF}$	Write Low to Half-Full Flag Low		30		35		45	ns
$t_{RHF}$	Read High to Half-Full Flag High		30		35		45	ns
$t_{XOL}$	Expansion Out Low Delay From Clock		20		25		35	ns
$t_{XOH}^{(4)}$	Expansion Out High Delay From Clock		20		25		35	ns
$t_{PXI}$	$\bar{X}I$ Pulse Width	20		25		35		ns
$t_{XIR}$	$\bar{X}I$ Recovery Time	10		10		10		ns
$t_{XIS}$	$\bar{X}I$ Set-up to Write or Clock	12		15		15		ns

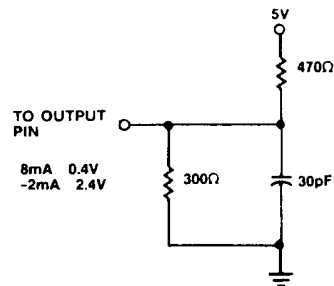
**Notes:**

1. Timings referenced as in AC Test Conditions.
2. Pulse widths less than minimum value are not allowed.
3. Values guaranteed by design, not currently tested.
4.  $t_{XOH}$  is guaranteed to be greater than or equal to  $t_{XOL}$  under all conditions.

**AC TEST CONDITIONS**

Input Pulse Levels	GND to 3.0V
Input Rise and Fall Times	5ns
Input Timing Reference Levels	1.5V
Output Reference Levels	1.5V
Output Load	See Figure 1

**Output Load**



\* INCLUDES JIG AND SCOPE CAPACITANCES

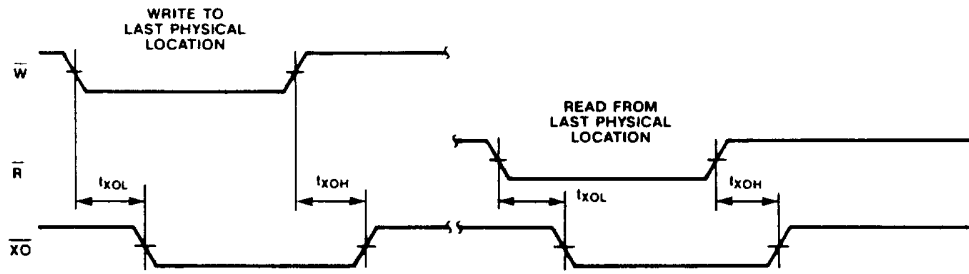
**CAPACITANCE** ( $T_A = +25^\circ C$ ,  $f = 1.0$  MHz)

Symbol	Parameter <sup>(1)</sup>	Conditions	Typ.	Unit
$C_{IN}$	Input Capacitance	$V_{IN} = 0V$	5	pF
$C_{OUT}$	Output Capacitance	$V_{OUT} = 0V$	7	pF

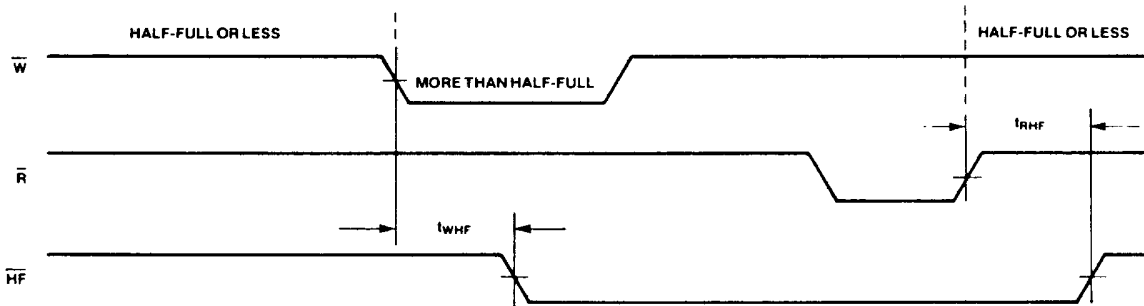
Note: This parameter is sampled and not 100% tested.

Note: Generating  $\bar{R}/\bar{W}$  Signals – When using these high-speed FIFO devices, it is necessary to have clean inputs on the  $\bar{R}$  and  $\bar{W}$  signals. It is important not to have glitches, spikes or ringing on the  $\bar{R}$ ,  $\bar{W}$  (that violate the  $V_{IL}$ ,  $V_{IH}$  requirements); although the minimum pulse width low for the R and W are specified in tens of nanoseconds, a glitch of 3ns can affect the read or write pointer and cause it to increment.

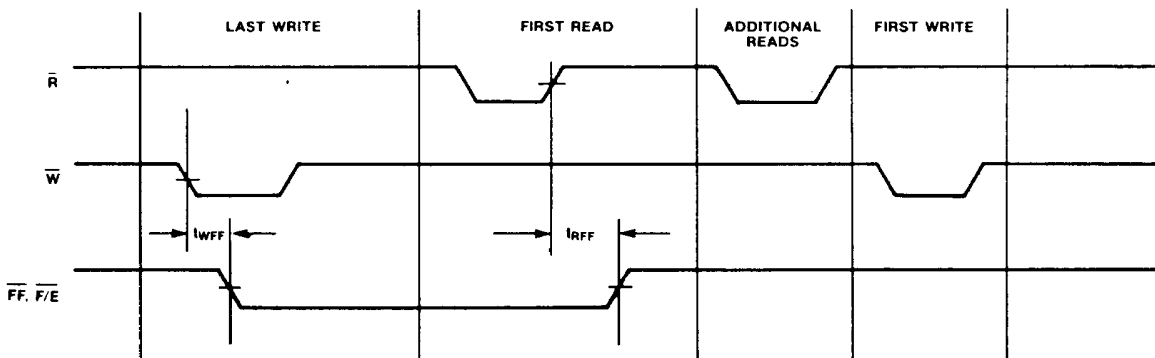
Expansion-Out Timing Diagram



Half Full Flag Timing (Configured or nonconfigured mode)

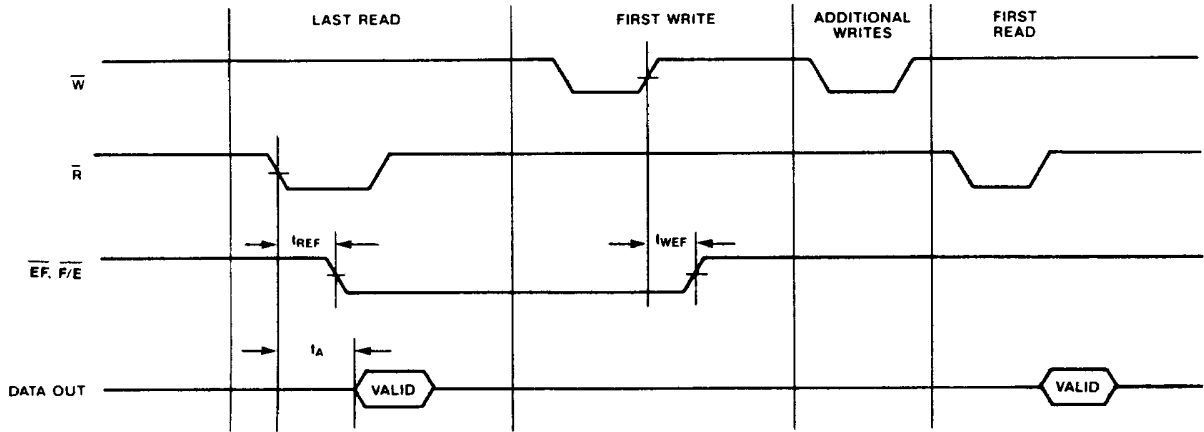


Full Flag Timing (Pin 8 or 20)

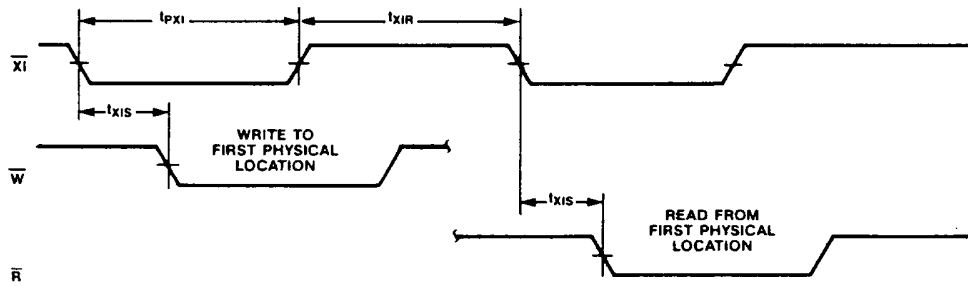




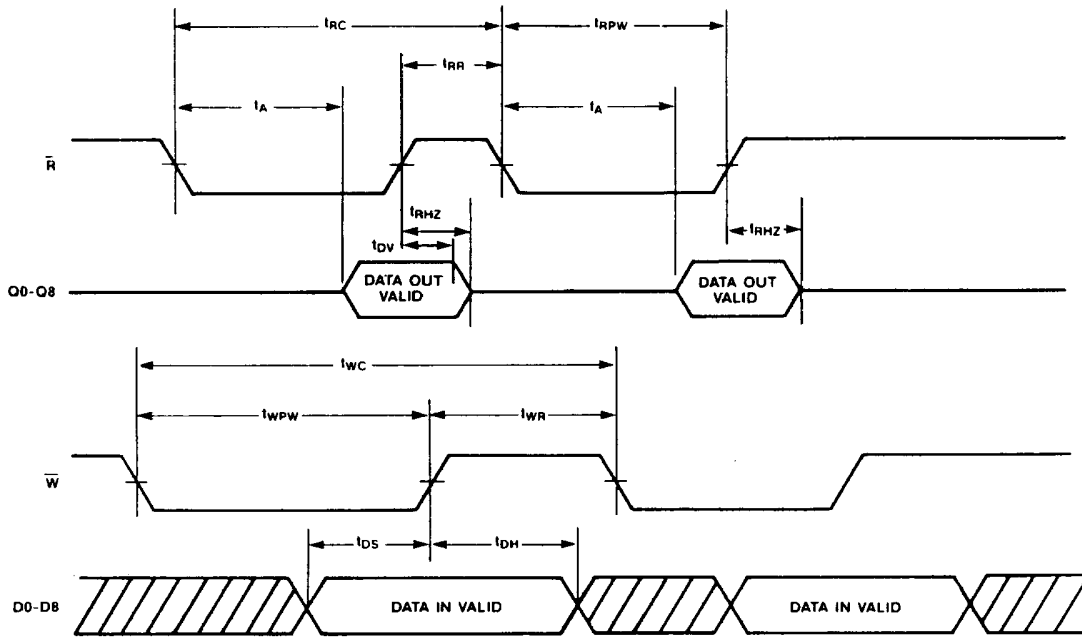
Empty Flag Timing (Pin 20 or 21)



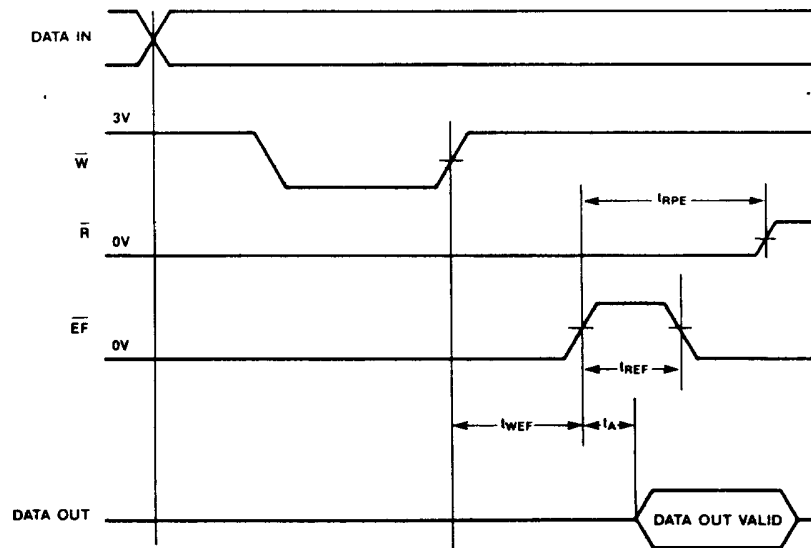
Expansion-In Timing Diagram



Asynchronous Write and Read Operation

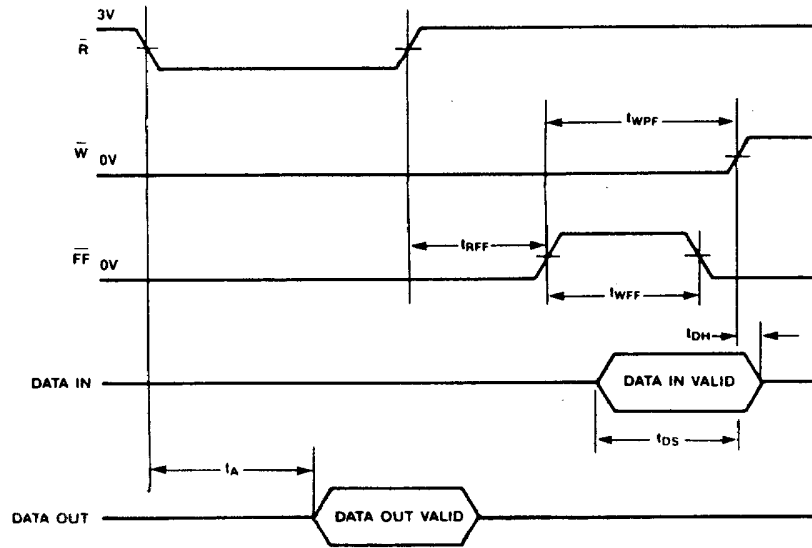


Read Data Flow Through Mode



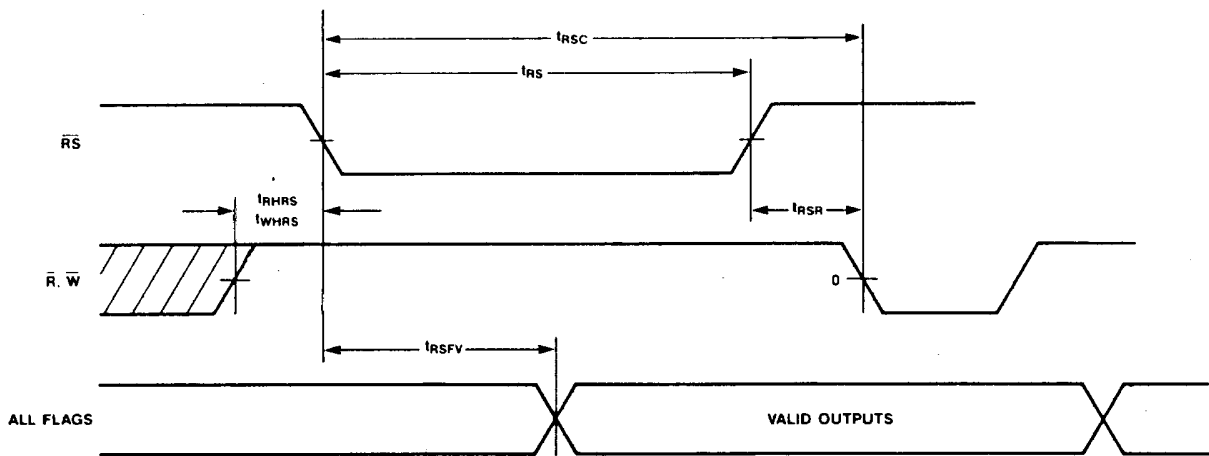
**Note:**  
 1. ( $t_{RPE} = t_{RPW}$ )

Write Data Flow Through Mode

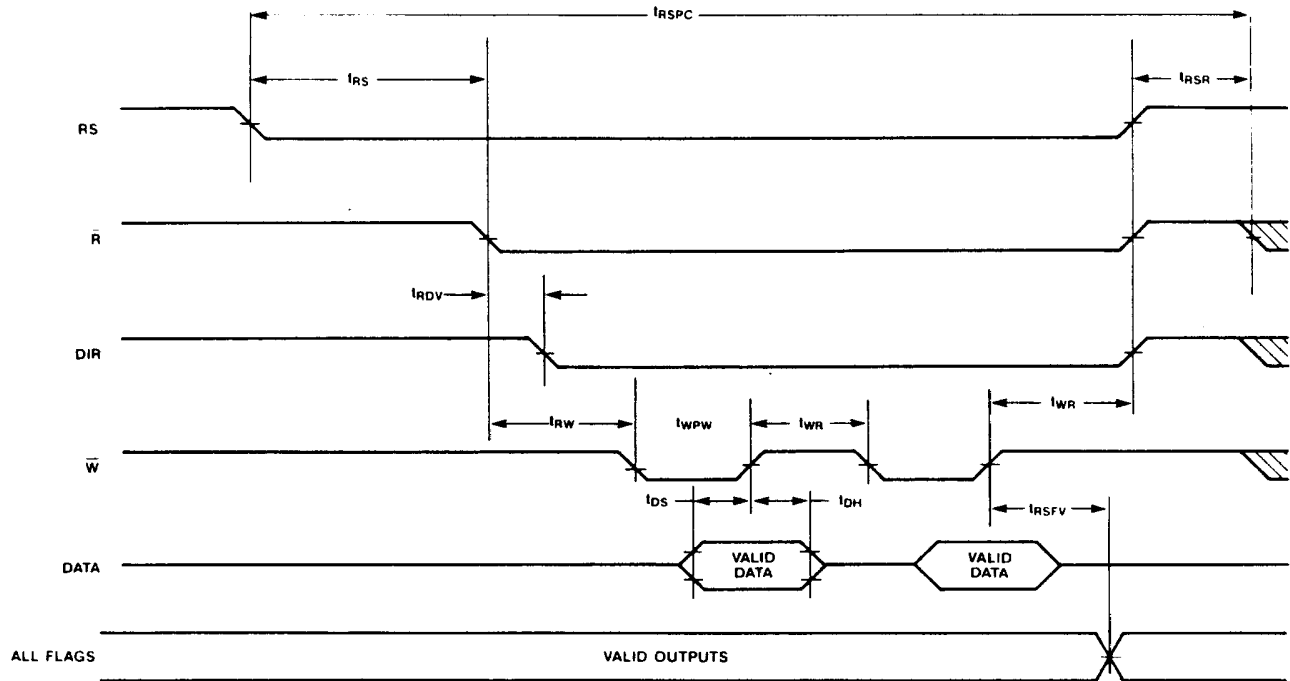


Note:  
1. ( $t_{WPF} = t_{WPW}$ )

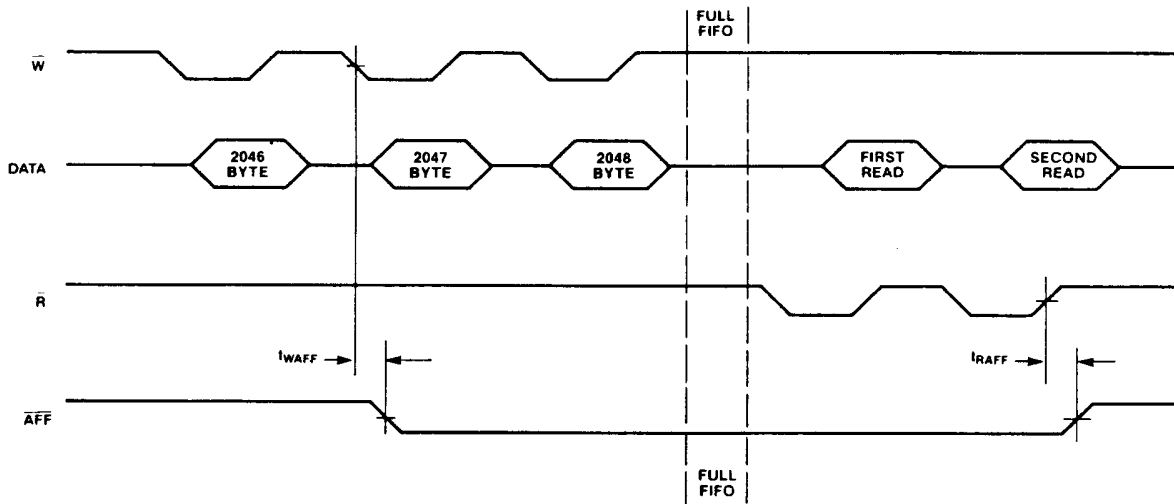
Device Reset Timing (No Register Programming)



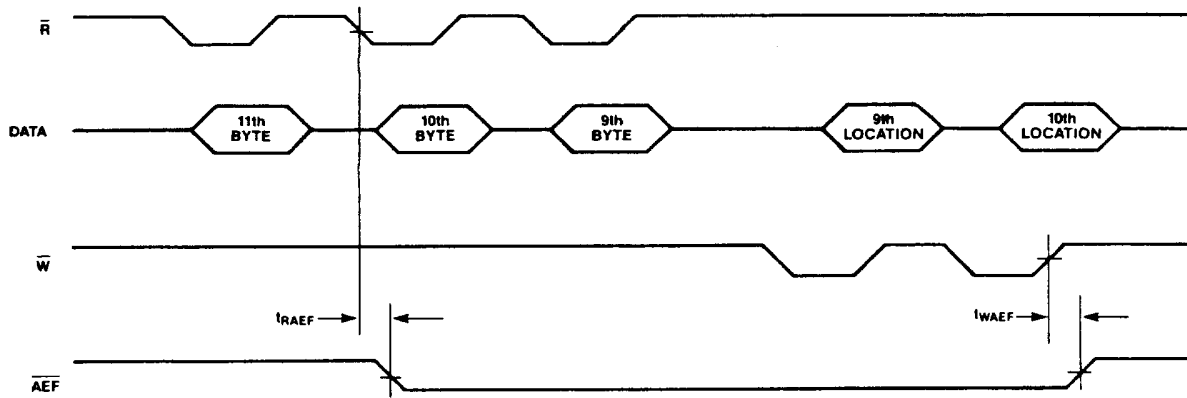
Reset/Register Programming Cycle Timing



Almost Full Flag Timing (2-Byte Offset)



Almost Empty Flag Timing (10-Byte Offset)



**OPERATING MODES**

The 75C104A has several modes of operation. These are:

**1. Device Reset Mode**

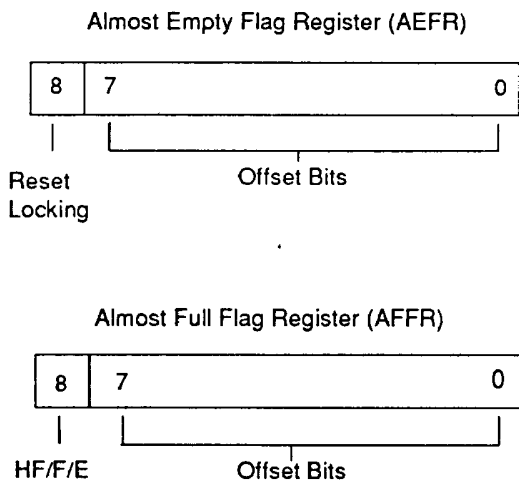
The 75C104A can be reset by lowering the Reset ( $\overline{RS}$ ) pin with both Read ( $\overline{R}$ ) and Write ( $\overline{W}$ ) inputs high. In this mode, all internal pointers and registers are cleared. A reset is required upon power up to insure correct device operation. After reset, all flags are set to appropriate states.

**2. Register Load Mode**

This mode of operation is used to reset the device and program the internal flag registers. This yields an Almost Full and an Almost Empty flag (pins 8 and 21 respectively) and a Half-Full or F/E flag.

Two 9-bit internal registers have been provided for flag configuration. One is the Almost Full Flag Register (AFFR) and the other is the Almost Empty Flag Register (AEFR). Bit configurations of the two registers are shown below.

**Register Set for KM75C104A**



Note that bits 0-7 are used for offset setting. The offset value ranges from 1 to 255 words. For each offset increment, a four byte offset is added in the FIFO providing 1024 bytes of offset.

Bit 7 is reserved for future offset expansion. Bit 8 of the AFFR is used for configuration of pin 20 (28-pin DIP package). When this bit is set low, pin 20 is a HF Flag output. When it is set high, pin 20 is a F/E flag output.

The 8th bit of the AEFR is used for reset locking. When this bit is set low, subsequent device reset or register loading cycle resets the device. When the bit is programmed high, subsequent reset cycles are ignored. In this mode, the flag registers can be reconfigured without device reset. The part can be reset again by writing a 0 into this location followed by a device reset (or register loading) or by repowering up the device.

Flag registers are loaded by bringing  $\overline{RS}$  low followed by the  $\overline{R}$  input. The  $\overline{R}$  pin should be brought low  $t_{RS}$  after the  $\overline{RS}$  low. The registers can then be loaded via the input pins or the output pins depending on the status of the DIR control input. Data is latched into the registers at the rising edge of the  $\overline{W}$  control pin. The first write loads the AFFR while the second write loads the AEFR. This loading order is fixed.

**3. Array Read/Write Mode**

Reading and writing into the FIFO is accomplished via Read ( $\overline{R}$ ) and Write ( $\overline{W}$ ) pins. The part can be written or read simultaneously through the input or the output ports respectively. The read cycle is initiated on the falling edge of the  $\overline{R}$  input. After the rising edge of  $\overline{R}$ , the outputs will return to a high impedance state until the next read cycle. If the FIFO is empty, any read attempt is ignored (i.e. the read pointer stays intact and the outputs stay in three-state).

A write cycle is initiated by asserting the  $\overline{W}$  input low. Data is stored in the memory sequentially, independent of any read operation in progress. When the FIFO is full, additional write attempts are ignored and the memory contents stay intact.

**4. Expansion Mode**

The KM75C104A facilitates expansion in width and depth. The part can be configured for depth expansion by lowering pin 23 ( $\overline{FL}/DIR$ ) for the first device in the daisy chain by asserting it high if it is not the first device. The Expansion In ( $\overline{XI}$ ) pin should be connected to Expansion Out ( $\overline{XO}$ ) pin of the previous device. In this way, a signal can be passed to the next device when the current device is full. Note that the retransmit feature is not available in this mode.

The KM75C104A can be used for width expansion. Word width may be increased simply by connecting the corresponding input control signals of multiple devices. In this mode, the  $\overline{XI}$  input must be grounded. Status Flags ( $\overline{HF}$ ,  $\overline{EF}$ ,  $\overline{FF}$ ,  $\overline{AFF}$  or  $\overline{AEF}$ ) of any one of the devices can be used for system interrupt.

The two expansion techniques described above can be applied together to achieve deep FIFO with wide word width.

### 5. Bidirectional Mode

Applications which require data buffering between two systems (each system capable of READ and WRITE operations), can be achieved by using two KM75C104A's. Care must be taken to assure that the appropriate flag is monitored by each system; (i.e.,  $\overline{FF}$  is monitored on the device where  $\overline{W}$  is used;  $\overline{EF}$  is monitored on the device where  $\overline{R}$  is used). Both Depth Expansion and Width Expansion may be used in this mode.

#### Flag Timing

A total of 3 flag outputs are provided in either configured or non-configured mode. In the non-configured mode, the three flags are  $\overline{HF}$  flag,  $\overline{EF}$  and  $\overline{FF}$ . The  $\overline{HF}$  flag goes active when more than half the FIFO is full. The flag goes inactive when the FIFO is half full or less.

The Full and Empty Flags go active when the last byte is written to or read out of the FIFO respectively. The flags are deasserted when the first byte is loaded into an empty FIFO or read out of a full FIFO. All three flag outputs are active low.

When the device is programmed, the  $\overline{AFF}$  and  $\overline{AEF}$  go active after a read/write cycle initiation of the location corresponding to the programmed offset value. For example if the AEFR is programmed with a 20 byte offset (loading a Hex value of 05H), the  $\overline{AEF}$  flag goes active during reading the 20th location before FIFO empty. The flag goes inactive when there are 10 or more bytes left in the FIFO. The assertion and deassertion timing of the  $\overline{AFF}$  is the same.

The third flag in the program mode is either  $\overline{HF}$  or  $\overline{F/E}$  flag depending on the state of the 9th bit of the AFFR. If the device is programmed for  $\overline{HF}$  flag, it functions like the  $\overline{HF}$  flag in non-programmed mode. If the device is configured for  $\overline{F/E}$  flag, it functions like  $\overline{FF}$  or  $\overline{EF}$  of the non configured mode. The pin goes active at the last FIFO read or FIFO write. The output is active low.

### Data Flow-Through Modes

This section describes two special conditions when the FIFO is full, or when it is empty. For the read flow-through mode, the FIFO permits the reading of a single word after writing one word of data into an empty FIFO. The data is enabled on the bus in  $(t_{WEF} + t_A)$  ns after the rising edge of  $\overline{W}$ , called the first write edge, and it remains on the bus until the  $\overline{R}$  input is raised from low-to-high, after which the bus would go into a three-state mode after  $t_{RHZ}$  ns. The  $\overline{EF}$  will output a pulse showing temporary deassertion and then will be asserted. In the interval of time that  $\overline{R}$  was low, additional data can be written to the FIFO (the subsequent writes after the first write edge would de-assert the empty flag); however, the same word (written on the first write edge) is presented to the output bus while  $\overline{R}$  is still low. The read pointer, would not be incremented when  $\overline{R}$  is low. On toggling  $\overline{R}$ , additional data is retrieved.

In the write flow-through mode, the FIFO permits the writing of a single byte of data immediately after reading one byte of data from a full FIFO. The  $\overline{R}$  line causes the  $\overline{FF}$  to be de-asserted but the  $\overline{W}$  line being low causes it to be asserted again in anticipation of new data. The new data is loaded into the FIFO on the rising edge of the  $\overline{W}$  control pin. The  $\overline{W}$  line must be toggled when  $\overline{FF}$  is not asserted in order to write new data into the FIFO and to increment the write pointer.

## TRUTH TABLES

Table 1. Reset – Single Device Configuration/Width Expansion Mode

Mode	Inputs		Internal Status		Outputs		
	$\overline{RS}$	$\overline{XI}$	Read Pointer	Write Pointer	$\overline{EF}$	$\overline{FF}$	$\overline{HF}$
Reset	0	0	Location Zero	Location Zero	0	1	1
Read/Write	1	0	Increment(1)	Increment(1)	X	X	X

## Note:

1. Pointer will increment if flag is high.

Table 2. Reset and First Load Truth Table – Depth Expansion/Compound Expansion Mode

Mode	Inputs			Internal Status		Outputs	
	$\overline{RS}$	$\overline{FL}$	$\overline{XI}$	Read Pointer	Write Pointer	$\overline{EF}$	$\overline{FF}$
Reset-First Device	0	0	(1)	Location Zero	Location Zero	0	1
Reset all other devices	0	1	(1)	Location Zero	Location Zero	0	1
Read/Write	1	X	(1)	X	X	X	X

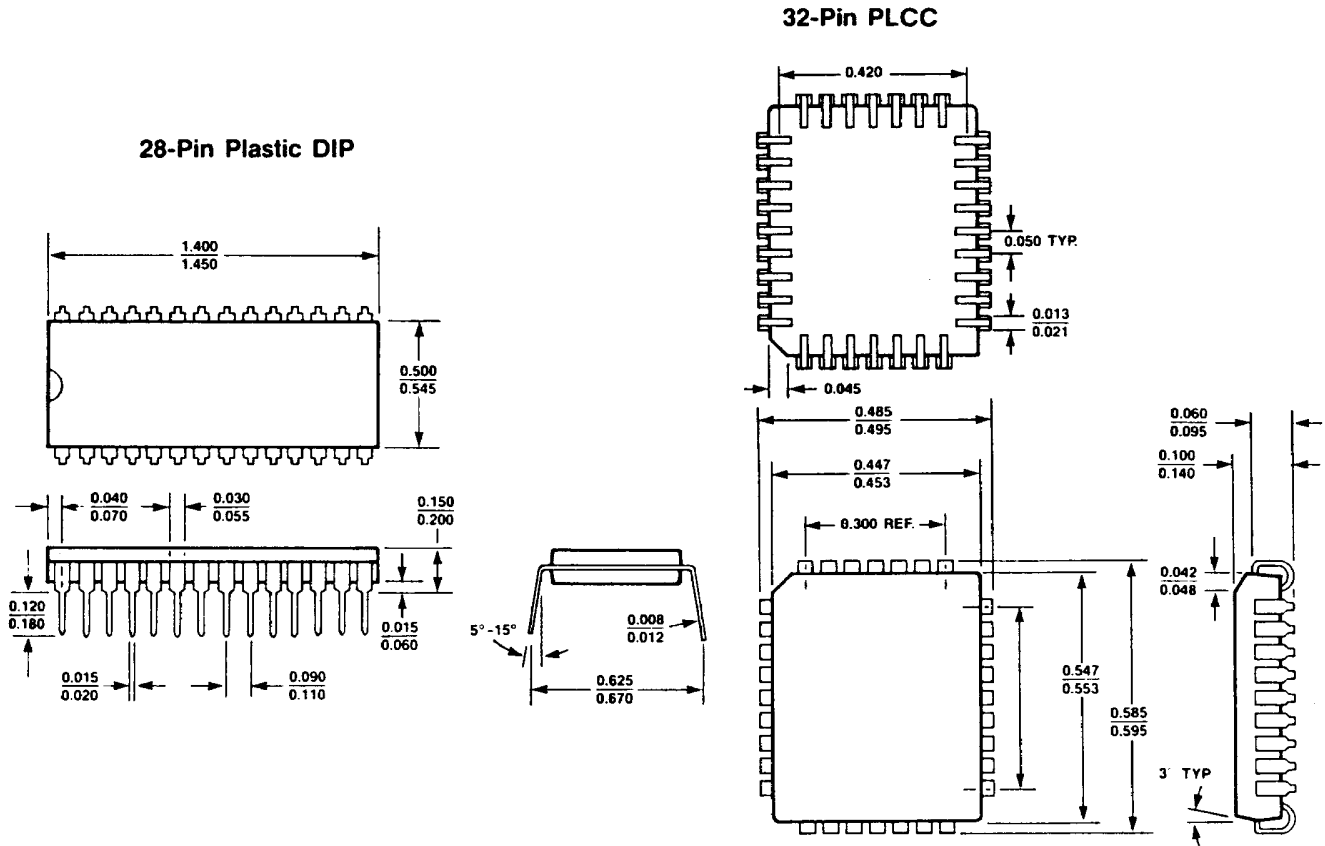
## Notes:

1.  $\overline{XI}$  is connected to  $\overline{XO}$  of previous device.

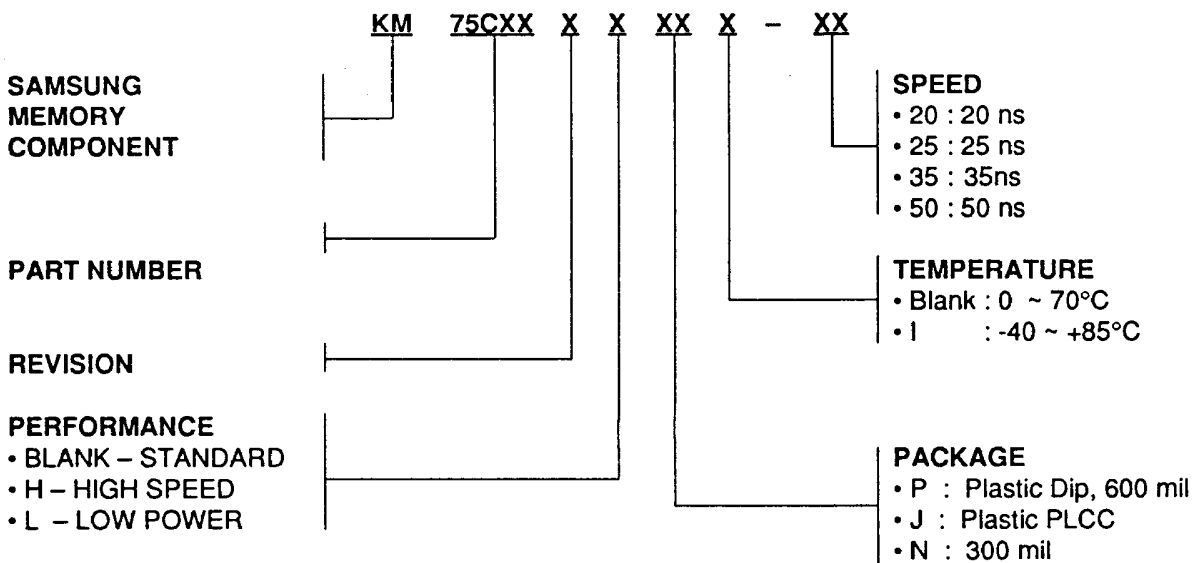
$\overline{RS}$  = Reset Input,  $\overline{FL}$  = First Load,  $\overline{EF}$  = Empty Flag Output,  $\overline{FF}$  = Full Flag Output,  $\overline{XI}$  = Expansion Input,  $\overline{HF}$  = Half-Full Flag Output.



PACKAGE DIMENSIONS



ORDERING INFORMATION



---



---

**SAMSUNG SEMICONDUCTOR, INCORPORATED SALES OFFICES**
**NORTH EASTERN**

20 Burlington Mall Rd. #205  
 Burlington, MA 01803  
 617/273-4888  
 FAX 617/273-9363

**NORTH CENTRAL**

901 Warrenville Road #120  
 Lisle, IL 60532-1359  
 312/852-2011  
 FAX 708/852-3096

**SOUTHWEST**

22837 Ventura Blvd., #305  
 Woodland Hills, CA 91367  
 818/346-6416  
 FAX 818/346-6621

**SOUTHWEST REGIONAL**

3027 Greenwich St.  
 Carlsbad, CA 92008  
 619/720-0230  
 FAX 619/720-0230

**NORTHWEST**

2700 Augustine Dr. #198  
 Santa Clara, CA 95054  
 408/727-7433  
 FAX 408/727-5071

**SOUTH**

15851 Dallas Parkway, #840  
 Dallas, TX 75248-3307  
 214/770-7970  
 FAX 214/770-7971

**SOUTHEAST**

204 Battleground Corp. Park  
 3859 Battleground Ave.  
 Greensboro, NC 27410  
 919/282-0665  
 FAX 919/282-0784

---

Circuit diagrams utilizing SAMSUNG and/or SAMSUNG SEMICONDUCTOR & TELECOMMUNICATIONS CO., LTD., products are included as a means of illustrating typical semiconductor applications; consequently, complete information sufficient for construction purposes is not necessarily given. The information has been carefully checked and is believed to be entirely reliable. However, no responsibility is assumed for inaccuracies. Furthermore, such information does not convey to the purchaser of the semiconductor devices described herein any license under the patent rights of SAMSUNG and/or SAMSUNG SEMICONDUCTOR & TELECOMMUNICATIONS CO., LTD., or others. SAMSUNG and/or SAMSUNG SEMICONDUCTOR & TELECOMMUNICATIONS CO., LTD., reserve the right to change device specifications.

---



3725 North First Street  
 San Jose, CA 95134-1708

Telephone: (408) 954-7000  
 FAX: (408) 954-7873  
 1-800-669-5400

Printed in U.S.A. GE/5K/4 90