

2SA1489

Silicon PNP Epitaxial Planar

☆ Complement to type 2SC3853

T-33-21

Application Example :

Audio and General Purpose

● Outline Drawing 2.....MT-100(TO3P)

Absolute Maximum Ratings (Ta=25°C)

Symbol	2SA1489	Unit
V _{CB0}	-80	V
V _{CE0}	-80	V
V _{EB0}	-6	V
I _C	-6	A
I _B	-3	A
P _C	60 (T _C = 25°C)	W
T _J	150	°C
T _{stg}	-55~+150	°C

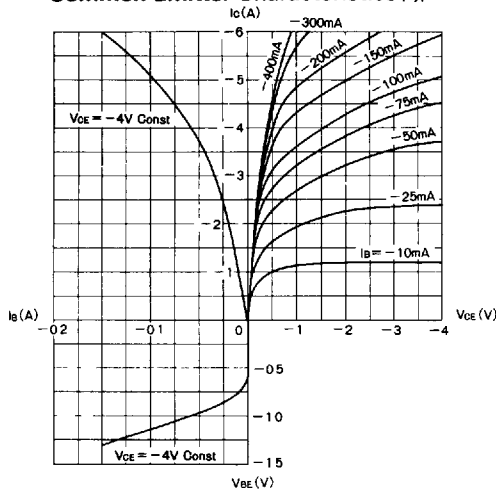
Electrical Characteristics (Ta=25°C)

Symbol	Conditions	2SA1489	Unit
I _{CB0}	V _{CB} = -80V	-100max	μA
I _{EB0}	V _{EB} = -6V	-100max	μA
V _{BR} CE0	I _C = -50mA	-80min	V
h _{FE}	V _{CE} = -4V, I _C = -2A	50min	
V _{CE} (sat)	I _C = -2A, I _B = -0.2A	-1.5max	V
f _T	V _{CE} = -12V, I _E = 0.5A	20typ	MHz

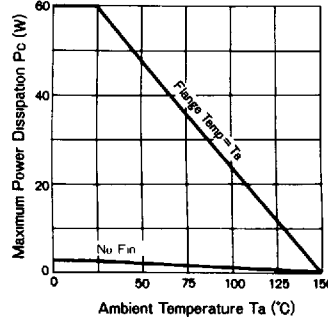
Typical Switching Characteristics (Common Emitter)

V _{CC} (V)	R _L (Ω)	I _C (A)	V _{BE1} (V)	V _{BE2} (V)	I _{B1} (A)	I _{B2} (A)	t _{on} (μs)	t _{stg} (μs)	t _r (μs)
-30	10	-3	-10	5	-0.3	0.3	0.25typ	0.5typ	0.1typ

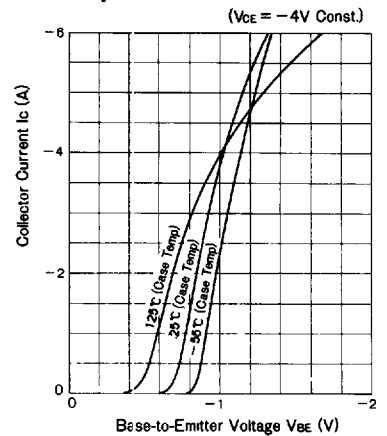
Common Emitter Characteristics (Typical Value)



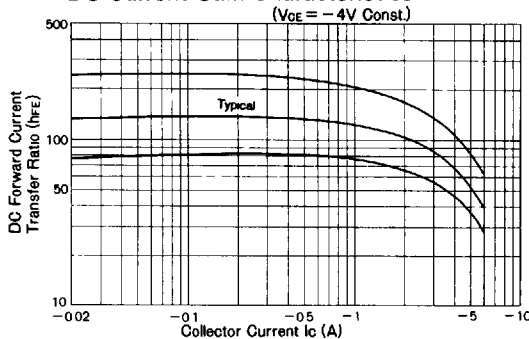
Power Derating



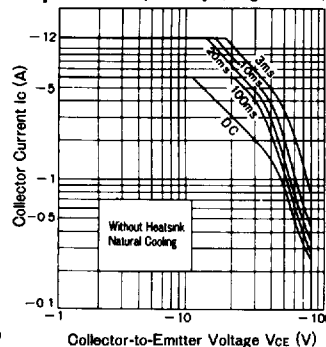
Temperature Characteristics



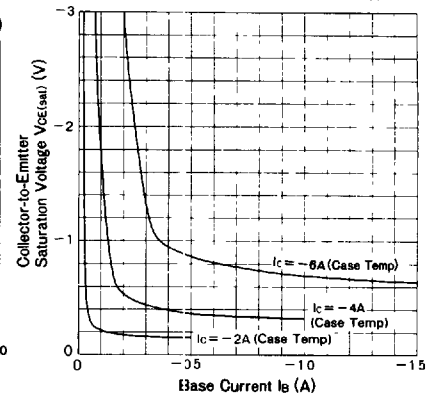
DC Current Gain Characteristics



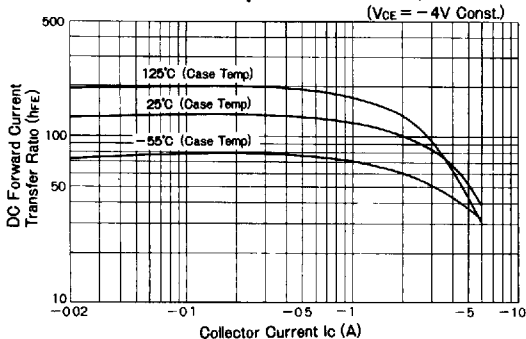
Maximum Areas For Safe Operation (ASO) (Single Pulse)



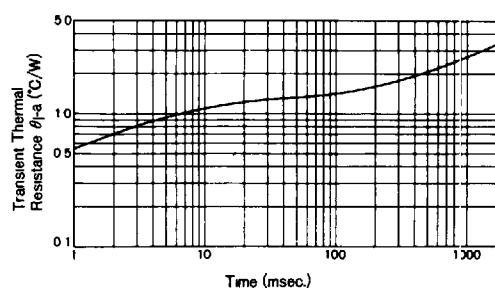
V_{CE}(sat) - I_B Characteristics (Typical Value)



DC Current Gain Temperature Characteristics



Transient Thermal Resistance Characteristics



T-91-20

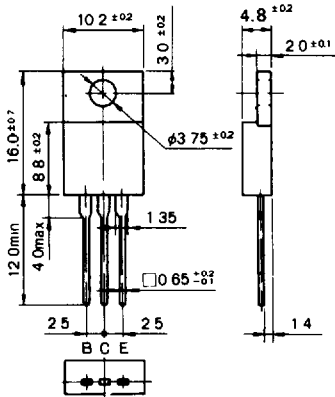
Outline Drawings/Accessories

Outline Drawing

- Nonflammability: UL94V-0 or equivalent
- Unit: in mm

Outline Drawing 1

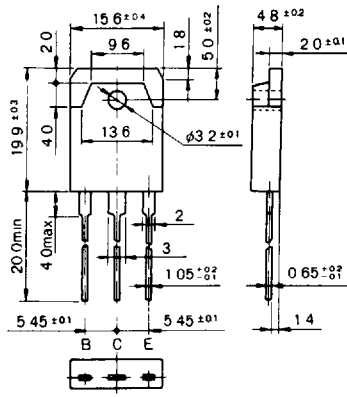
MT-25(T0220)



Weight: Approx. 2.6g

Outline Drawing 2

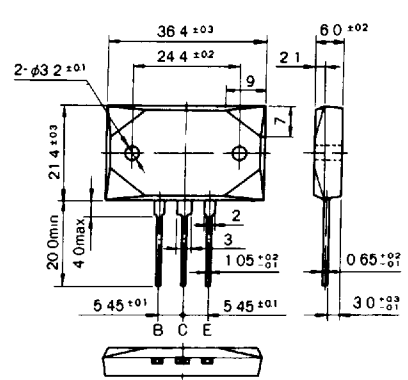
MT-100(T03P)



Weight: Approx. 6.0g

Outline Drawing 3

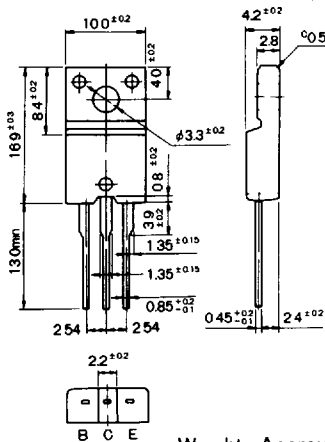
MT-200



Weight: Approx. 18.4g

Outline Drawing 4

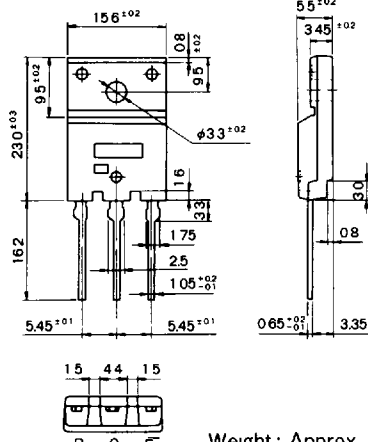
FM20 (Full Mold)



Weight: Approx. 2.0g

Outline Drawing 5

FM100 (Full Mold)



Weight: Approx. 6.5g

Accessories

☆Sanken Transistors do not include accessories. Accessories may be attached at a cost if requested.

☆Sanken transistor case is a standard size, and can replace any generally sold product.

- Heatsink: Mica, with a thickness of 0.06 mm, +0.045 -0.005 allowance

- Insulation Bush for MT-25 (T0220)

Type Name: Molded (10) Mica Type Name: Molded (14) Mica Type Name: Molded (9) Mica

