

MC1747
MC1747C

(Dual MC1741)
Internally Compensated, High Performance Operational Amplifiers

The MC1747 and MC1747C were designed for use as summing amplifiers, integrators, or amplifiers with operating characteristics as a function of the external feedback components. The MC1747L and MC1747CL are functionally and electrically equivalent to the μ A747 and μ A747C respectively.

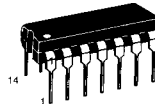
- No Frequency Compensation Required
- Short Circuit Protection
- Wide Common Mode and Differential Voltage Ranges
- Low-Power Consumption
- No Latch Up
- Offset Voltage Null Capability

(DUAL MC1741)
DUAL
OPERATIONAL AMPLIFIERS

SILICON MONOLITHIC
INTEGRATED CIRCUIT



D SUFFIX
PLASTIC PACKAGE
CASE 751A
(SO-14)



P2 SUFFIX
PLASTIC PACKAGE
CASE 646



L SUFFIX
CERAMIC PACKAGE
CASE 632

Figure 1. High-Impedance, High-Gain Inverting Amplifier

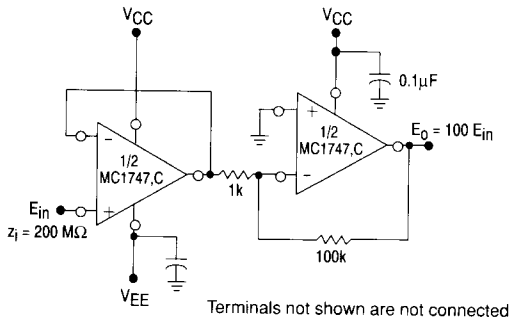
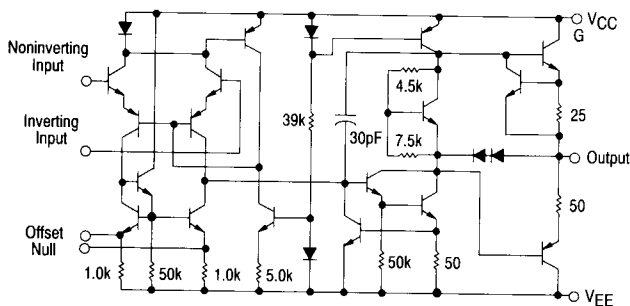
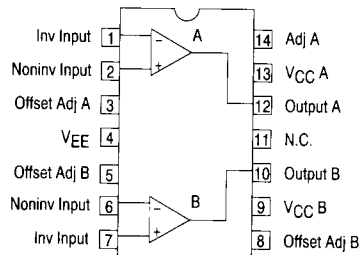


Figure 2. Circuit Schematic



PIN CONNECTIONS



VCC A and VCC B are not connected internally

ORDERING INFORMATION

Device	Temperature Range	Package
MC1747L	-55° to +125°C	Ceramic DIP
MC1747CD		SO-14
MC1747CL	0° to +70°C	Ceramic DIP
MC1747CP2		Plastic DIP

MC1747, MC1747C

MAXIMUM RATINGS (T_A = +25°C, unless otherwise noted.)

Rating	Symbol	MC1747	MC1747C	Unit
Power Supply Voltages	V _{CC} V _{EE}	+22 -22	+18 -18	Vdc
Differential Input Signal Voltages (Note 1)	V _{ID}	±30		V
Common Mode Input Swing Voltage (Note 2)	V _{ICR}	±15		V
Output Short Circuit Duration	t _{SC}	Continuous		
Voltage (Measurement between Offset Null and V _{EE})		±0.5		V
Operating Ambient Temperature Range	T _A	-55 to +125	0 to +70	°C
Storage Temperature Range	T _{stg}	-65 to +150	-65 to +150	°C
Junction Temperature Ceramic Package Plastic Package	T _J	175 150		°C

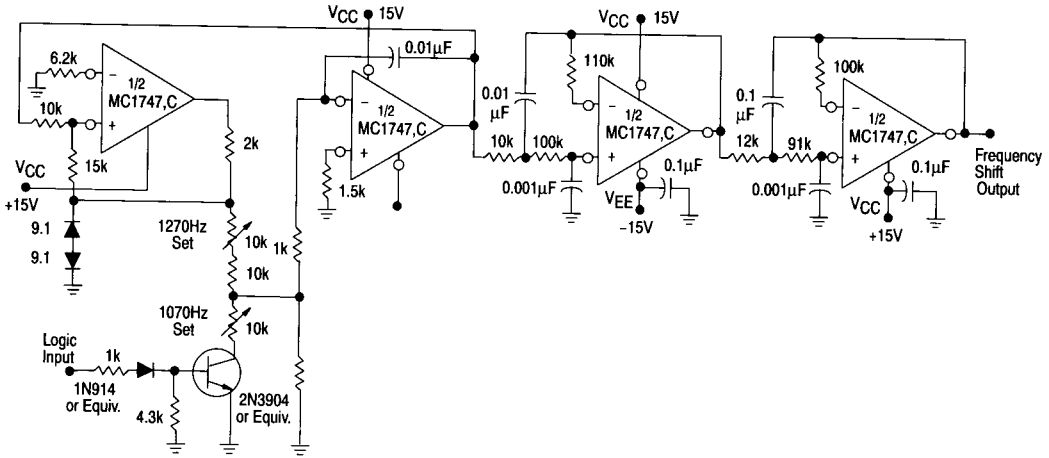
ELECTRICAL CHARACTERISTICS (V_{CC} = +15 V, V_{EE} = -15 V, T_A = +25°C, unless otherwise noted.)

Characteristics	Symbol	MC1747			MC1747C			Unit
		Min	Typ	Max	Min	Typ	Max	
Input Bias Current T _A = +25°C T _A = T _{high} (Note 3) T _A = T _{low} (Note 3)	I _{IB}	—	80 30 300	500 500 1500	—	80 30 30	500 800 800	nAdc
Input Offset Current T _A = +25°C T _A = T _{high} T _A = T _{low}	I _{IO}	—	20 7.0 85	200 200 500	—	20 7.0 7.0	200 300 300	nAdc
Input Offset Current T _A = +25°C T _A = T _{low} to T _A = T _{high}	V _{IO}	—	1.0 1.0	5.0 6.0	—	1.0 1.0	6.0 7.5	mVdc
Offset Voltage Adjustment Range		—	±15	—	—	±15	—	mV
Differential Input Impedance (Open-loop, f = 20 Hz) Parallel Input Resistance Parallel Input Capacitance	r _i C _i	0.3 —	2.0 1.4	— —	0.3 —	2.0 1.4	— —	MΩ pF
Common Mode Input Voltage Swing T _{low} ≤ T _A ≤ T _{high}	V _{ICR}	±12	±13	—	±12	±13	—	V
Common Mode Rejection (R _S = 10 kΩ) T _{low} ≤ T _A ≤ T _{high}	CMR	70	90	—	70	90	—	dB
Open-Loop Voltage Gain T _A = +25°C T _A = T _{low} to T _A = T _{high} (V _O = ±10 V, R _L = 2.0 kΩ)	A _{VOL}	50,000 25,000	200,000 —	— —	25,000 15,000	200,000 —	— —	V
Transient Response (Unity Gain) (V _{in} = 20 mV, R _L = 2.0 kΩ, C _L ≤ 100 pF) Rise Time Overshoot Percentage	t _{PLH}	—	0.3 5.0	— —	—	0.3 5.0	— —	μs %
Slew Rate (Unity Gain)	SR	—	0.5	—	—	0.5	—	V/μs
Output Impedance	z _o	—	75	—	—	75	—	Ω
Short Circuit Output Current	I _{SC}	—	25	—	—	25	—	mAcd
Channel Separation		—	120	—	—	120	—	dB
Output Voltage Swing (T _{low} ≤ T _A ≤ T _{high}) R _L = 10 kΩ R _L = 2.0 kΩ	V _{OR}	±12 ±10	±14 ±13	— —	±12 ±10	±14 ±13	— —	Vpk
Power Supply Rejection (T _{low} to T _{high}) V _{EE} = Constant, R _S ≤ 10 kΩ V _{CC} = Constant, R _S ≤ 10 kΩ	PSR+ PSR-	75 75	— —	— —	75 75	— —	— —	dB
Power Supply Current (each amplifier) T _A = +25°C T _A = T _{low} T _A = T _{high}	I _{CC,IEE}	— — —	1.7 2.0 1.5	2.8 3.3 2.5	— — —	1.7 2.0 2.0	2.8 3.3 3.3	mAcd
DC Power Consumption (each amplifier) T _A = +25°C T _A = T _{low} T _A = T _{high}	P _C	— — —	50 60 45	85 100 75	— — —	50 60 60	85 100 100	mW

- NOTES:**
- For supply voltages of less than ±15 V, the maximum differential input voltage is equal to ±(V_{CC} + |V_{EE}|).
 - For supply voltages of less than ±15 V, the maximum input voltage is equal to the supply voltage (+V_{CC}, -|V_{EE}|).
 - T_{low} = 0°C for MC1747CL T_{high} = +70°C for MC1747CL
-55°C for MC1747L +125°C for MC1747L

MC1747, MC1747C

Figure 3. Typical Frequency Shift Keyer Tone Generator Test Circuit



Terminals not shown are not connected.

Figure 4. Typical Frequency Shift Keyer Tone Generator

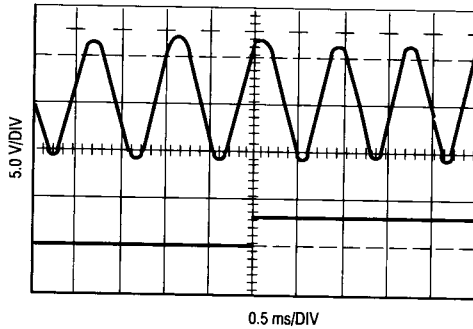


Figure 5. Open-Loop Voltage Gain versus Power-Supply Voltage

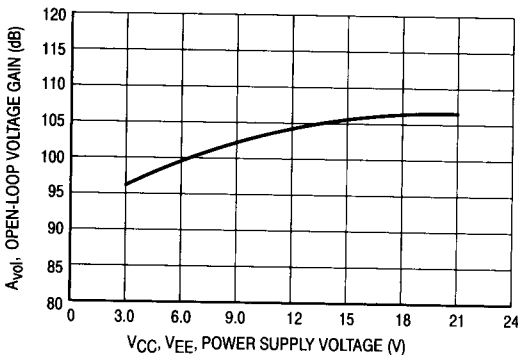
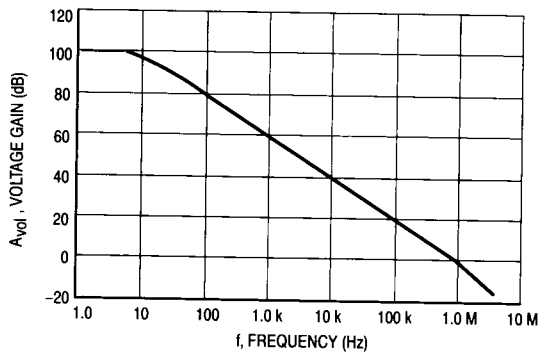
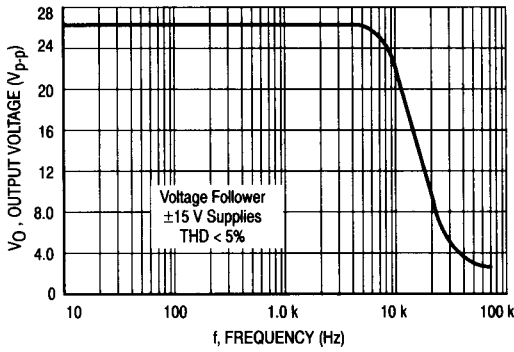


Figure 6. Open-Loop Frequency Response

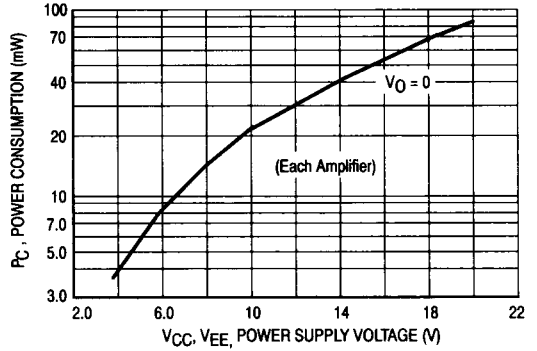


MC1747, MC1747C

**Figure 7. Power Bandwidth
(Large Signal Swing versus Frequency)**



**Figure 8. Power Consumption
versus Power Supply Voltage**



**Figure 9. Output Voltage Swing
versus Load Resistance**

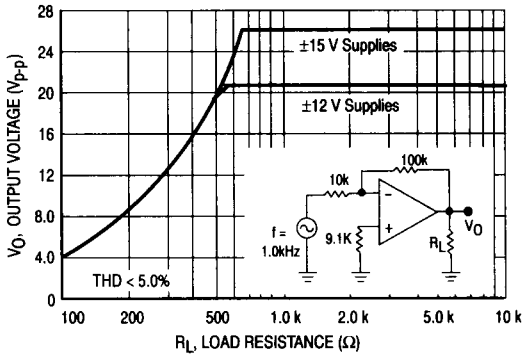


Figure 10. Output Noise versus Source Resistance

