




DING-DONG
DOOR BELL

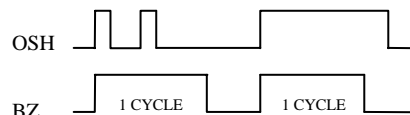
单音门铃 IC

SOUND EFFECT	
M581A/M582A	

FEATURES 功能叙述

- MODE: VDD Control.
- Separate LED and Buzzer driver.

M581A	1 TIME
M582A	2 TIMES



APPLICATION 产品应用

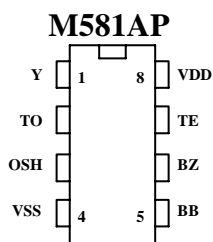
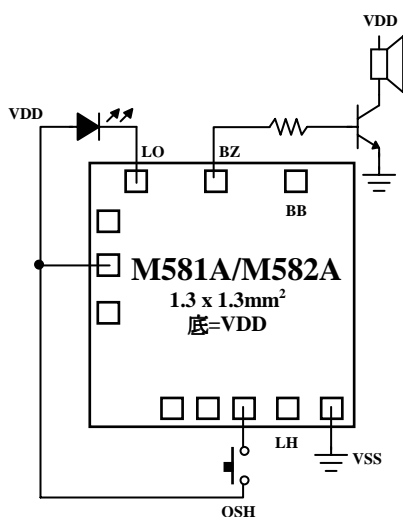
- Door Bell, Toys.

ELECTRICAL CHARACTERISTICS 电气规格

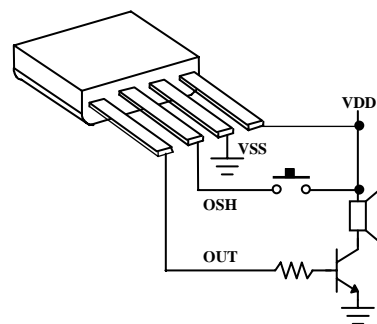
(@V_{DD}=3V unless otherwise specified)

Characteristics	Sym.	Min.	Typ.	Max.	Unit	REMARKS
工作电压 Operating Voltage	V _{DD}	—	3	4.5	V	
工作电流 Operating Current	I _{OP}	—	0.1	0.5	mA	No load
静态电流 Quiescent Current	I _{SB}	—	1	5	μ A	
推动电流 BZ Driving Current	I _O	1	—	—	mA	@ V _{DS} =1V
推动电流 LO Driving Current	I _{OL}	6	—	—	mA	@ V _{DS} =1.2V
振荡频率 Oscillator Frequency	F _{OSC}	—	100	—	KHz	± 30% TOL.
工作温度 Operating Temperature	Temp.	0	25	60	°C	

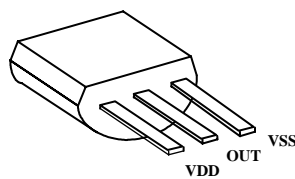
APPLICATION DIAGRAM 参考电路图



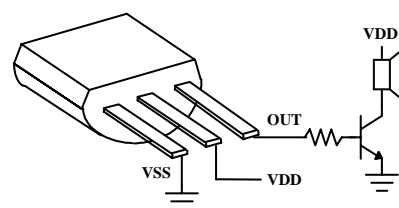
TO92-4L



TO92-3L (Suffix -A)



TO92-3L (Suffix -T)



*All specs and applications shown above subject to change without prior notice.
(以上电路及规格仅供参考,本公司得行修正)