

SEVEN SEGMENT NUMERIC DISPLAY

Low Current GaAlAs Red LED Dice
 0.36 inch Character Height
 High Contrast
 Wide Viewing Angle
 Common Anode - MU336A
 Common Cathode - MU336C

ABSOLUTE MAXIMUM RATINGS

Power Dissipation / Segment	50mW
Peak Forward Current / Segment	200mA
Continuous Forward Current / Segment	20mA
Reverse Voltage / Segment	5V
Operating Temperature Range	-25 to +85°C
Storage Temperature Range	-25 to +85°C

* Note : Pulse Width = 1mS, Duty Ratio = 1/10.

ELECTRO-OPTICAL CHARACTERISTICS(Ta=25°C) / segment

PARAMETER	SYMBOL	MIN	TYP	MAX	UNIT	CONDITIONS
Forward Voltage	VF			2.0	V	IF=1mA
Luminous Intensity	IV	320	400		μcd	IF=1mA
Segment to Segment Luminous Intensity Ratio				2:1		IF=1mA
Reverse Current	VR			100	μA	VR=5V
Peak Wavelength	λp		660		nm	IF=20mA
Spectral Line Half Width	Δλ		20		nm	IF=20mA



MICRO ELECTRONICS LTD.

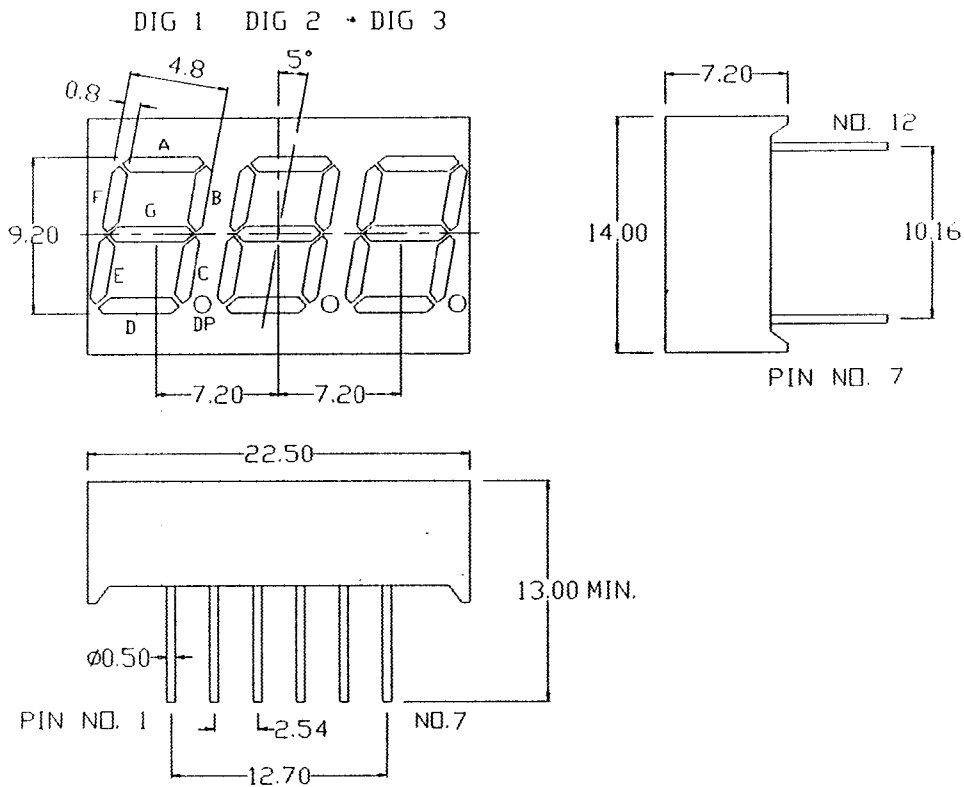
38, Hung To Road, Microtron Building, Kwun Tong, Kowloon, Hong Kong.

Kwun Tong P.O. Box 69477 Hong Kong. Fax No. 2341 0321 Telex:43510 Micro Hx. Tel: 2343 0181-5

Jun-98

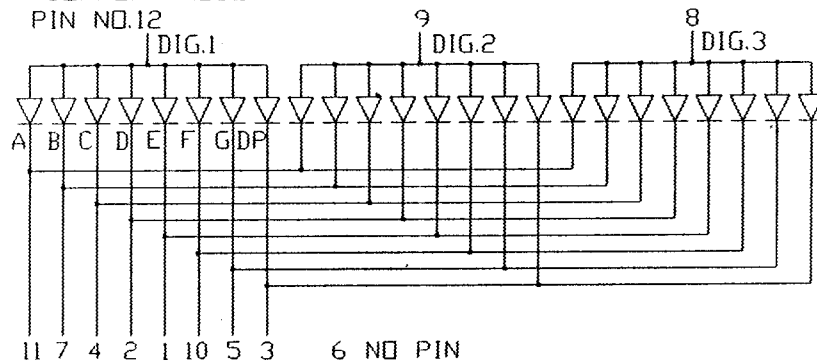
MU336

MECHANICAL OUTLINE:



CIRCUIT DIAGRAM:

(1) COMMON ANODE



(2) COMMON CATHODE

