



4-BIT MICROCONTROLLER

GENERAL DESCRIPTION

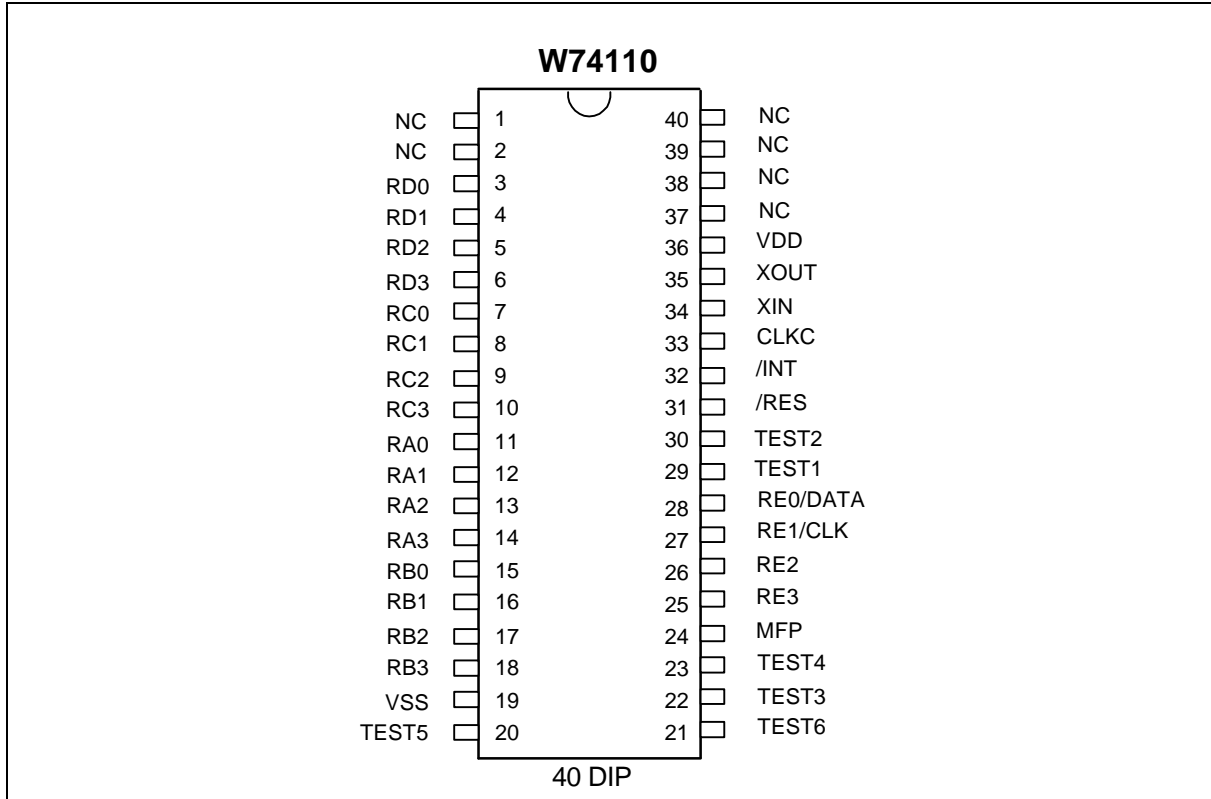
The W74110 is a single-chip CMOS 4-bit microcontroller (μC) that operates on low voltage and very low current. It contains a 4-bit ALU, a timers, a divider, a serial port, and five 4-bit input/output ports (including one output port for driving LEDs). There are also four interrupt sources and 4-level subroutine nesting for interrupt applications.

The W74110 has two power reduction modes—hold mode and stop mode—which help to minimize power dissipation. The product is a powerful microcontroller for remote controllers, multiple I/O products, keyboard controllers, speech synthesis LSI controllers, and other products.

FEATURES

- Operating voltage: 1.3V - 6.0V
- Operating frequency up to 1MHz for RC oscillator
- Built-in crystal or RC oscillator by pin option
- 1024 x 16 bit program ROM
- 64 x 4 bit data RAM
- 21 input/output pins:
 - Ports for input only: 2 ports/8 pins
 - Input/output ports: 2 ports/8 pins
 - Ports for output only: 1 ports/4 pins (high current for LED driving)
 - Control output pin: 1 pin (MFP)
- HOLD function: no operation (except for oscillator)
- STOP function: no operation (including oscillator)
- Four types of interrupts
 - Two internal interrupts (Divider and Timer)
 - Two external interrupts (Port RC & $\overline{\text{INT}}$ pin)
- Built-in 14-bit clock frequency divider circuit
- Built-in 8-bit programmable down-count timer
- Powerful instruction set: 83 instruction sets
- Direct and indirect addressing mode
- 4-level subroutine (include interrupt) nesting
- All instructions are executed in one machine cycle except for indirect addressing mode
- Up to 4 μS instruction cycle (at 1 MHz operating frequency)
- Internal serial transmission port RT specified by software

PIN CONFIGURATION



PIN DESCRIPTION

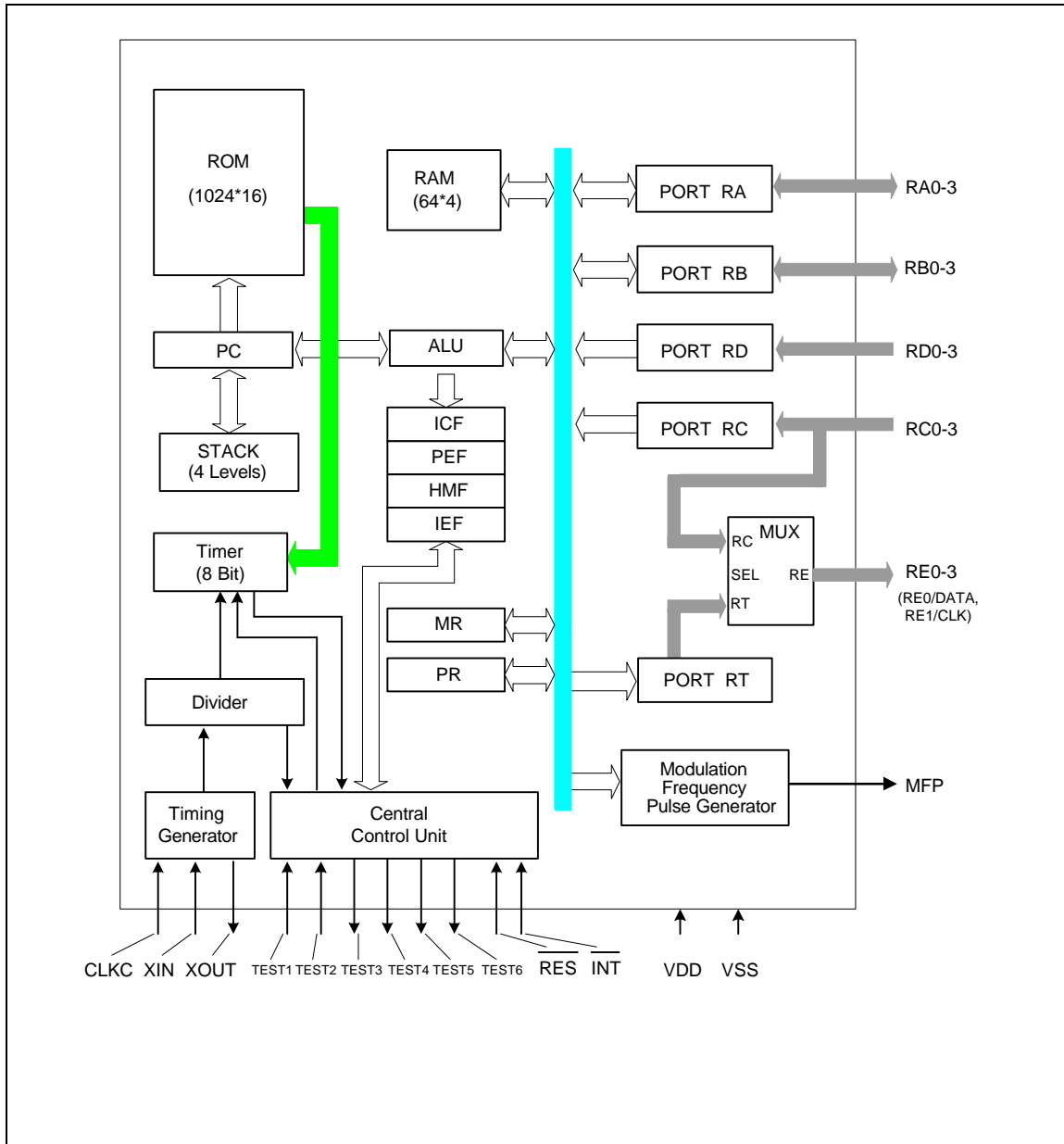
PIN NO.	SYMBOL	I/O	FUNCTION
3-6	RD0-RD3	I	4-bit port for input only.
7-10	RC0-RC3	I	4-bit port for input only. Each pin has an independent debounce circuit and interrupt capability.
11-14	RA0-RA3	I/O	Input/output port. Mode can be switched by the IPA and OPA instructions.
15-18	RB0-RB3	I/O	Input/output port. Mode can be switched by the IPB and OPB instructions.
19	Vss	I	Negative power supply (-).



Pin description, continued

PIN NO.	SYMBOL	I/O	FUNCTION
20	TEST5	O	Test pin
21	TEST6	O	Test pin
22	TEST3	O	Test pin
23	TEST4	O	Test pin
24	MFP	O	Output pin only. This pin outputs software selectable modulating and nonmodulating signals according to the MFP instruction.
25-28	RE0/DATA RE1/CLK RE2, RE3	O	Special output port. This port can be configured by software to act as the output of internal port RT or the inverse output of external port RC.
29	TEST1	I	Test pin
30	TEST2	I	Test pin
31	$\overline{\text{RES}}$	I	System reset pin with pull-up resistor.
32	$\overline{\text{INT}}$	I	External interrupt pin with pull-up resistor.
33	CLKC	I	Clock mode control pin. CLKC = "H": Crystal mode CLKC = "L": RC mode
34	XIN	I	Input pin for oscillator. Connected to crystal or resistor to generate system clock by pin option.
35	XOUT	O	Output pin for oscillator. Connected to crystal or resistor to generate system clock by pin option.
36	VDD	I	Positive power supply (+).
1,2,37,38, 39,40	NC	-	No connection.

BLOCK DIAGRAM





Headquarters

No. 4, Creation Rd. III,
Science-Based Industrial Park,
Hsinchu, Taiwan
TEL: 886-3-5770066
FAX: 886-3-5792697
<http://www.winbond.com.tw/>
Voice & Fax-on-demand: 886-2-7197006

Taipei Office

11F, No. 115, Sec. 3, Min-Sheng East Rd.,
Taipei, Taiwan
TEL: 886-2-7190505
FAX: 886-2-7197502

Winbond Electronics (H.K.) Ltd.

Rm. 803, World Trade Square, Tower II,
123 Hoi Bun Rd., Kwun Tong,
Kowloon, Hong Kong
TEL: 852-27513100
FAX: 852-27552064

Winbond Electronics North America Corp.

Winbond Memory Lab.
Winbond Microelectronics Corp.
Winbond Systems Lab.
2730 Orchard Parkway, San Jose,
CA 95134, U.S.A.
TEL: 1-408-9436666
FAX: 1-408-9436668

Note: All data and specifications are subject to change without notice.