

PRELIMINARY
 Notice ; This is not a final specification.
 some parametric limits are subject to change.

MITSUBISHI SOUND PROCESSOR

M62420SP/FP

SOUND CONTROLLER FOR TV

Tone and Volume Controller by I²C Bus System

OUTLINE

M62420SP/FP is the tone and volume controller which is controlled by I²C bus. This IC can apply the broad application because of low noise and distortion.

FEATURE

- TONE(Bass/Treble) control and 1dB step volume control are enabled .
- Low noise and low distortion .
 $V_{NO} = 4.5\mu V_{rms}$, $CTHD = 0.1\%$ max
- Controlling by serial data in conformity to the I²C bus format .

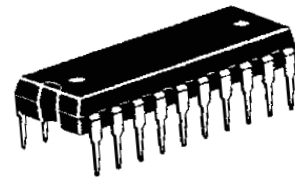
APPLICATION

- TV, Mini-Stereo , etc

RECOMMENDED OPERATING CONDITION

- | | | |
|-----------------------|-------------------|--------------------|
| •Supply voltage range | 8.5~9.5V (analog) | 4.5~5.5V (digital) |
| •Rated supply voltage | 9V (analog) | 5V (digital) |

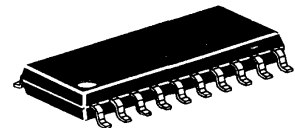
PACKAGE OUTLINE



20 P 4 B (SP)

PITCH : 1.78 mm

SIZE : 19.0 mm X 6.3 mm X 3.3 mm

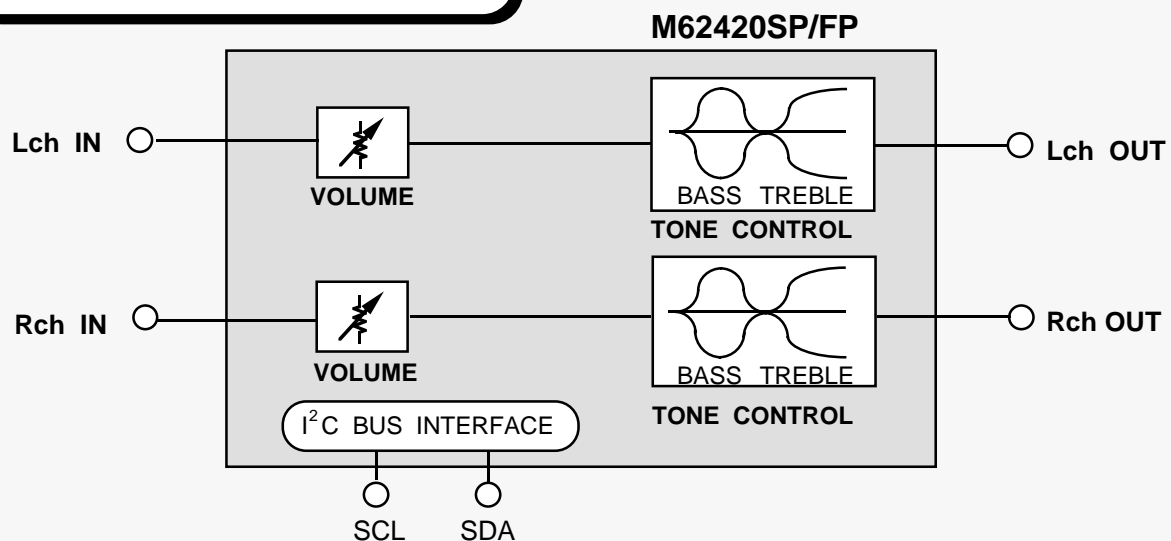


20 P 2 N (FP)

PITCH : 1.27 mm

SIZE : 5.3 mm X 12.6 mm X 1.8 mm

SYSTEM BLOCK DIAGRAM



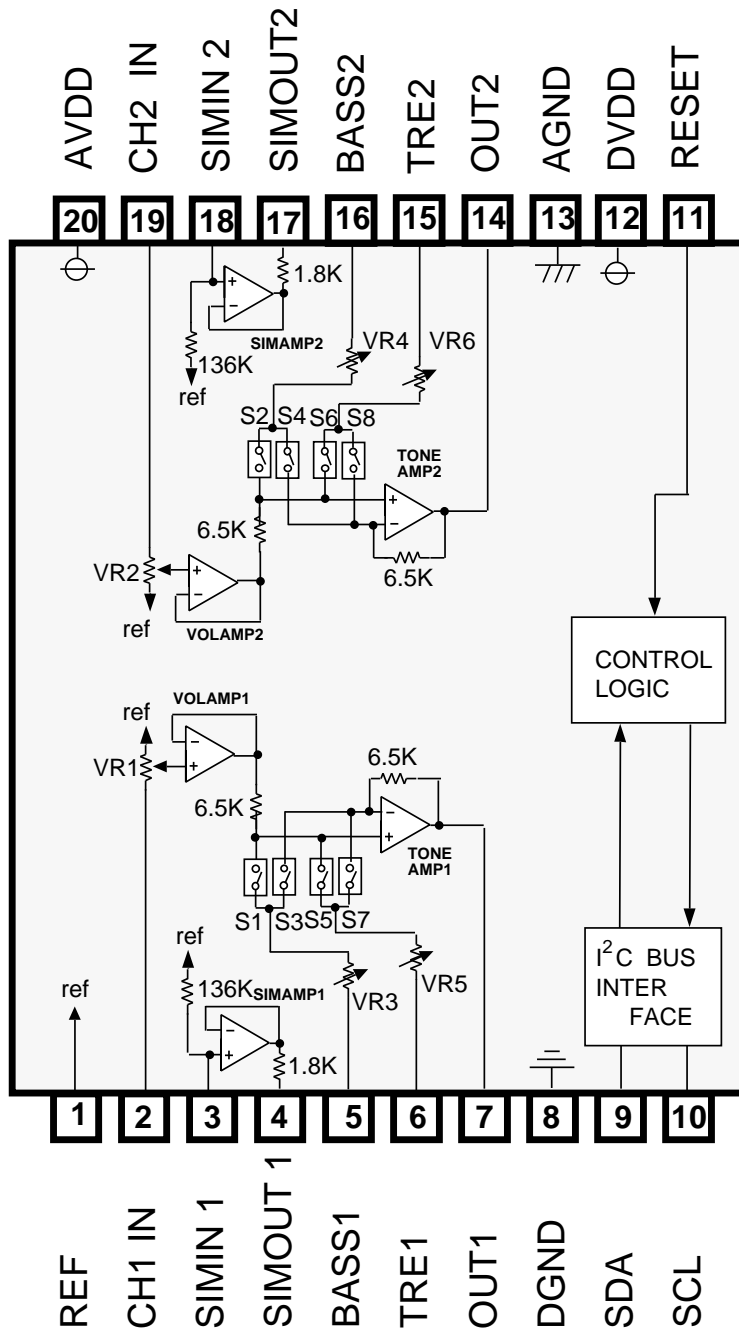
PRELIMINARY
 Notice ; This is not a final specification.
 some parametric limits are subject to change.

MITSUBISHI SOUND PROCESSOR

M62420SP/FP

SOUND CONTROLLER FOR TV

BLOCK DIAGRAM



PRELIMINARY
 Notice ; This is not a final specification.
 some parametric limits are subject to change.

MITSUBISHI SOUND PROCESSOR

M62420SP/FP

SOUND CONTROLLER FOR TV

PIN DESCRIPTION

PIN No.	PIN NAME	I/O	DESCRIPTION
1	REF	I	Reference voltage terminal for analog
2	CH1 IN	I	Input terminal (ch1)
3	SIMIN 1	I	Pin for capacitor of simulated inductor 1
4	SIMOUT 1	O	Pin for capacitor of simulated inductor 1
5	BASS1	I	Pin for capacitor of ch1-side bass setting
6	TRE1	I	Pin for capacitor of ch1-side treble setting
7	VOL OUT1	O	Output terminal (ch1)
8	DGND	I	Digital GND
9	SDA	I/O	I/O terminal of DATA I ² C bus format
10	SCL	I	Input terminal of CLOCK I ² C bus format
11	RESET	I	RESET terminal of built-in logic circuit
12	DVDD	I	VDD for digital circuit
13	AGND	I	GND for analog circuit
14	VOL OUT2	O	Output terminal (ch2)
15	TRE2	I	Pin for capacitor of ch2-side treble setting
16	BASS2	I	Pin for capacitor of ch2-side bass setting
17	SIMOUT2	O	Pin for capacitor of simulated inductor 2
18	SIMIN 2	I	Pin for capacitor of simulated inductor 2
19	CH2 IN	I	Input terminal (ch2)
20	AVDD	I	VCC for analog circuit

PRELIMINARY
 Notice ; This is not a final specification.
 some parametric limits are subject to change.

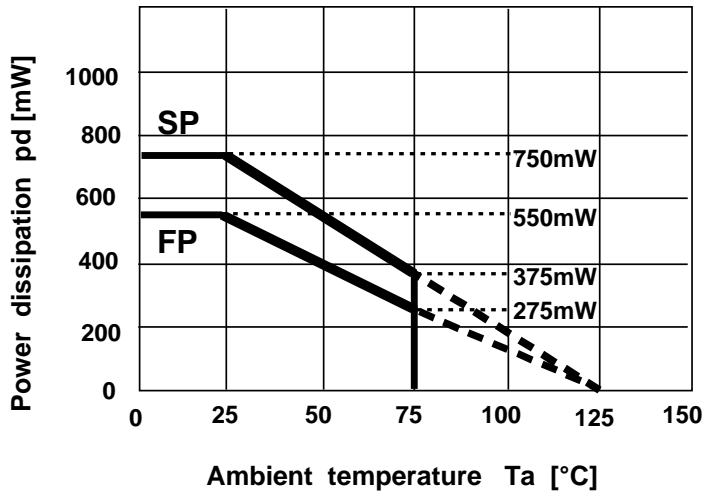
M62420SP/FP

SOUND CONTROLLER FOR TV

ABSOLUTE MAXIMUM RATINGS

SYMBOL	PARAMETER	CONDITION	LIMITS	UNIT
AVdd	Analog supply voltage		10.0	V
DVdd	Digital supply voltage		7.0	V
Pd	Power dissipation	Ta ≤ 25°C	750	mW
Kθ	Thermal Derating ratio	Ta > 25°C	7.5	mW/°C
Topr	Operating temperature		-20~+75	°C
Tstg	Storage temperature		-40~+125	°C

Thermal Derating



PRELIMINARY
Notice ; This is not a final specification.
some parametric limits are subject to change.

MITSUBISHI SOUND PROCESSOR

M62420SP/FP

SOUND CONTROLLER FOR TV

RECOMMENDED OPERATING CONDITION

(Ta=25°C unless otherwise noted)

ITEM	SYMBOL	CONDITION	MIN	TYP	MAX	UNIT
Analog supply voltage	AVDD		8.5	9.0	9.5	V
Digital supply voltage	DVDD		4.5	5.0	5.5	V
H level input voltage (logic circuit)	VIH		0.7 DVDD	—	VDD	V
L level input voltage (logic circuit)	VIL		0	—	0.3 DVDD	V

PRELIMINARY
 Notice ; This is not a final specification.
 some parametric limits are subject to change.

M62420SP/FP

ELECTRIC CHARACTERISTICS

(Ta=25°C, AVDD=9V,DVDD=5V and tone,bassboost=0dB unless otherwise noted)

(1) SUPPLY VOLTAGE

ITEM	SYMBOL	CONDITION	LIMIT			UNIT
			Min	typ	Max	
Analog supply current	Icc	•AVdd=9.0V •mesure terminal=20 pin •no signal input	—	10	20	mA
Digital supply current	Idd	•DVdd= 5V •mesure terminal=12 pin •no signal input	—	0	2	μA

(2) I / O CHARACTERISTICS

ITEM	SYMBOL	CONDITION	LIMIT			UNIT
			Min	typ	Max	
Maximum input voltage	VIM	2,19pin input,7,14pin output RL=10K , THD=1%,f=1kHz ATT=-6dB	2.0	3.2	—	Vrms
Output voltage	Vodc	7pin,14pin, no signal	4.35	4.5	4.65	V
Gain	Gv	Vin=0dBm,FLAT,f=1kHz 2- 7PIN 19-14PIN gain	-2	0	2	dB
Output noise voltage	Vono	JIS-A filter no signal Rg=10K 7,14pin	—	4.5	30	μ Vrms
Total harmonic distortion	THD	7pin,14pin f=1kHz Vo=0.5Vrms , RL=10K LPF=30kHz	—	0.05	0.1	%
Channel separation	CT	RL=10K S:Vin=1Vrms,f=1kHz M:Rg=10k ,JIS-A filter	—	-100	-70	dB

PRELIMINARY
 Notice ; This is not a final specification.
 some parametric limits are subject to change.

M62420SP/FP

(3) TONE CHARACTERISTICS

ITEM	SYMBOL	CONDITION	LIMIT			UNIT
			Min	typ	Max	
Tone controll gain (bass)	Gbassb	f=100Hz	9	12	15	dB
	Gbassc		-15	-12	-9	dB
Tone controll gain (treble)	Gtrebb	f=10KHz	9	12	15	dB
	Gtrebc		-15	-12	-9	dB

(4) VOLUME CHARACTERISTICS

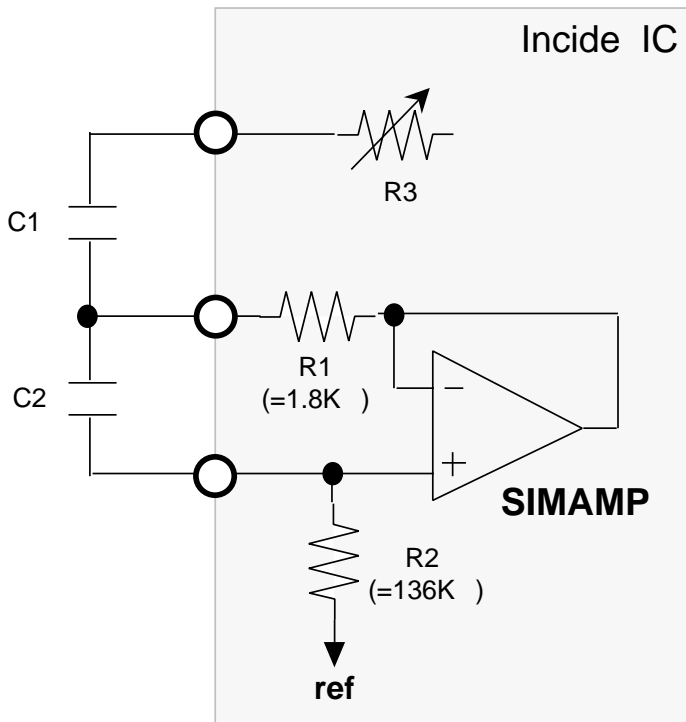
ITEM	SYMBOL	CONDITION	LIMIT			UNIT
			Min	typ	Max	
Maximum attenuation	ATTmax	f=1KHz, Vin=0dBm 2pin~7pin	-108	-100	-80	dB
Minimum attenuation	ATTmin	19pin~14pin gain JIS-A filter	-1.5	0	1.5	dB

PRELIMINARY
 Notice ; This is not a final specification.
 some parametric limits are subject to change.

FUNCTION EXPLANATION

(1) EQUIVARATION CIRCUIT OF TONE CONTROL

The resonance circuit is able to construct by using built-in amplifier for simurated inductor. (Shows the constant as follow)



Center frequency

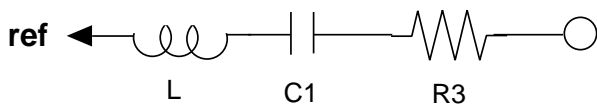
$$f_0 = 1 / 2 \sqrt{C1 \cdot C2 \cdot R1 \cdot R2} \text{ [Hz]}$$

$$Q = \sqrt{(C2 \cdot R2) / (C1 \cdot R1)}$$

(EX) BASS band (f=100Hz)
 R1=1.8K , R2=136K
 C1=0.47μ , C2=0.022μ

FIG1. The circuit used simurated inductor.

FIG1 is equal to FIG2.
 The following relation is concluded.



$$L = C2 \cdot ER1 \cdot ER2$$

FIG2. The equivalent circuit used L.

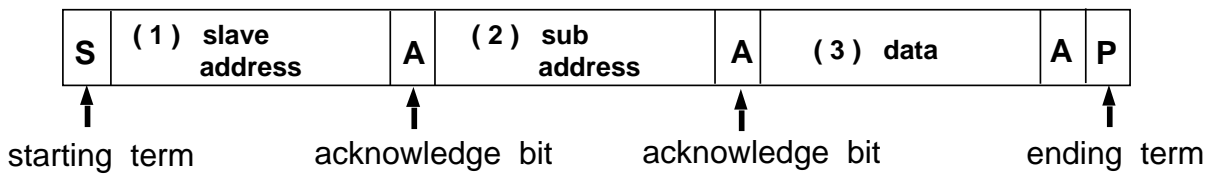
PRELIMINARY
 Notice ; This is not a final specification.
 some parametric limits are subject to change.

M62420SP/FP

SOUND CONTROLLER FOR TV

I²C BUS INPUT DATA FORMAT

← Input direction



(1) slave address The following slave address is assigned at this IC.

A6	A5	A4	A3	A2	A1	A0	R/W
1	0	0	0	0	0	0	

(2) sub address The following sub address is defined at this IC.

subA7	subA6	subA5	subA4	subA3	subA2	subA1	subA0
← empty slot →			MUTE mode	TREBLE level mode	BASS level mode	channel2 volume mode	channel1 volume mode
			1: ON 0: OFF	1: ON 0: OFF	1: ON 0: OFF	1: ON 0: OFF	1: ON 0: OFF

PRELIMINARY
 Notice ; This is not a final specification.
 some parametric limits are subject to change.

M62420SP/FP

SOUND CONTROLLER FOR TV

(3) -1: volume control

The volume control is enabled at following condition.

subA0 :

0

 ,

1

 ,

1

 subA1 :

1

 ,

0

 ,

1

 (either bit is 1)

subA2 :

0

 subA3 :

0

 (both bits are 0)

volume code

ATT	D4	D3	D2	D1	D0
0dB	H	H	H	H	H
2dB	H	H	H	H	L
4dB	H	H	H	L	H
6dB	H	H	H	L	L
8dB	H	H	L	H	H
10dB	H	H	L	H	L
12dB	H	H	L	L	H
14dB	H	H	L	L	L
16dB	H	L	H	H	H
18dB	H	L	H	H	L
20dB	H	L	H	L	H
22dB	H	L	H	L	L
24dB	H	L	L	H	H
26dB	H	L	L	H	L
28dB	H	L	L	L	H
30dB	H	L	L	L	L
32dB	L	H	H	H	H
34dB	L	H	H	H	L
36dB	L	H	H	L	H
38dB	L	H	H	L	L
40dB	L	H	L	H	H
42dB	L	H	L	H	L
46dB	L	H	L	L	H
50dB	L	H	L	L	L
54dB	L	L	H	H	H
58dB	L	L	H	H	L
62dB	L	L	H	L	H
66dB	L	L	H	L	L
70dB	L	L	L	H	H
74dB	L	L	L	H	L
78dB	L	L	L	L	H
dB	L	L	L	L	L

ATT	D6	D5
0dB	H	H
1dB	H	L
* 2dB	L	H
* 3dB	L	L

* 2dB,3dB setting is enabled at less than 42dB step.

PRELIMINARY
 Notice ; This is not a final specification.
 some parametric limits are subject to change.

M62420SP/FP

SOUND CONTROLLER FOR TV

(4) -2 : tone level control

The tone level controlling is enabled at following condition.

subA0 : 0 (both bits are 0) subA2 : 0 , 1 , 1
 subA1 : 0 subA3 : 1 , 0 , 1 (either bit is 1)

tone code

	BASS				TREBLE			
	D7	D6	D5	D4	D3	D2	D1	D0
12dB	L	H	H	L	L	H	H	L
10dB	L	H	L	H	L	H	L	H
8dB	L	H	L	L	L	H	L	L
6dB	L	L	H	H	L	L	H	H
4dB	L	L	H	L	L	L	H	L
2dB	L	L	L	H	L	L	L	H
0dB	L	L	L	L	L	L	L	L
-2dB	H	L	L	H	H	L	L	H
-4dB	H	L	H	L	H	L	H	L
-6dB	H	L	H	H	H	L	H	H
-8dB	H	H	L	L	H	H	L	L
-10dB	H	H	L	H	H	H	L	H
-12dB	H	H	H	L	H	H	H	L

non-used code HHHH
 LHHH
 HLLL

(5) -3 : Mute mode

The mute mode is enabled at following condition.

subA0 : no definition subA2 : no definition subA4 : 1
 subA1 : no definition subA3 : no definition

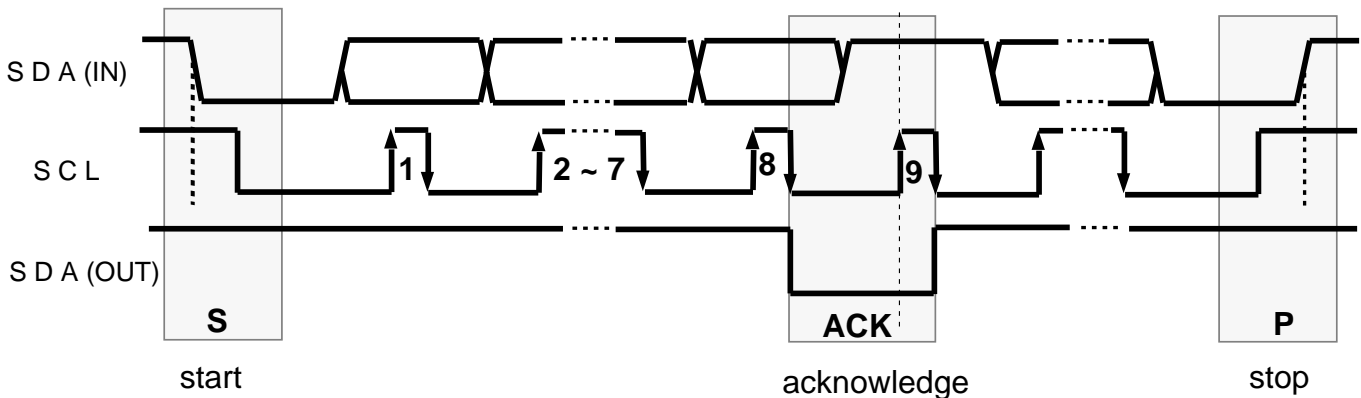
PRELIMINARY
Notice ; This is not a final specification.
some parametric limits are subject to change.

MITSUBISHI SOUND PROCESSOR

M62420SP/FP

SOUND CONTROLLER FOR TV

DATA and CLOCK



start

This term is defined by SDA(in) falling edge at SCL H .

stop

This term is defined by SDA(in) rising edge at SCL H .

CAUTION

The SDA(IN) level never change at SCK=H
except start and stop .

data transmisson

The SDA(IN) is enabled at SCL rising edge and H .

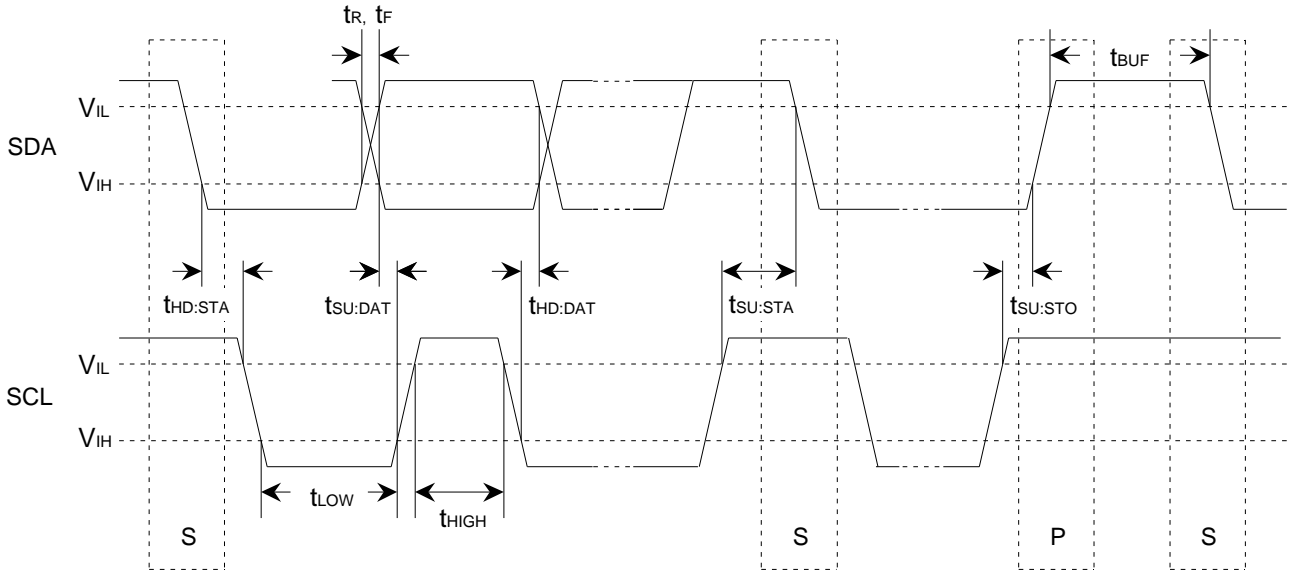
acknowledge

Transmitter must send H during ninth clock pulse of SCL .

The case of finished receiving , the receiver replies L synchronized to falling edge of eighth pulse . And restart receiving the transmitted data synchronized to falling edge of ninth pulse .

PRELIMINARY
 Notice ; This is not a final specification.
 some parametric limits are subject to change.

BUS LINE TIMMING SPECIFICATION



parameter	symbol	MIN	MAX	units
min. input low voltage	V_{IL}	-0.5	1.5	V
max. input high voltage	V_{IH}	3.0	5.5	V
SCL clock frequency	f_{SCL}	0	100	KHz
Time the bus must be free before a new transmission can start	t_{BUF}	4.7	-	μs
Hold time start condition. After this period the first clock pulse is generated	$t_{HD:STA}$	4.0	-	μs
The LOW preiod of the clock	t_{LOW}	4.7	-	μs
The HIGH period of the clock	t_{HIGH}	4.0	-	μs
Set up time for start condition (Only relevant for a repeated start condition)	$t_{SU:STA}$	4.7	-	μs
Hold time DATA	$t_{HD:DAT}$	0	-	μs
Set-up time DATA	$t_{SU:DAT}$	250	-	ns
Rise time of both SDA and SCL lines	t_R	-	1000	ns
Fall time of both SDA and SCL lines	t_F	-	300	ns
Set-up time for stop condition	$t_{SU:STO}$	4.0	-	μs

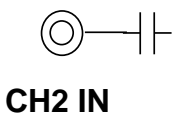
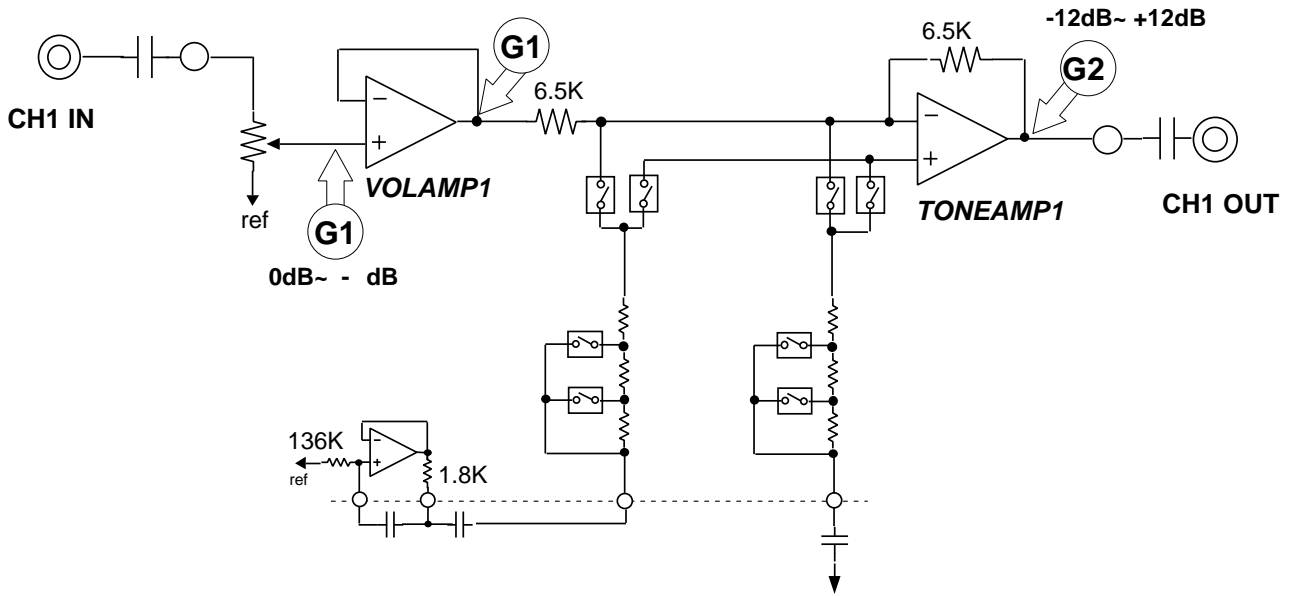
PRELIMINARY
 Notice ; This is not a final specification.
 some parametric limits are subject to change.

MITSUBISHI SOUND PROCESSOR

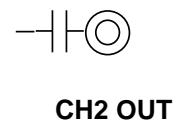
M62420SP/FP

SOUND CONTROLLER FOR TV

LEVEL DIAGRAM



same to CH1



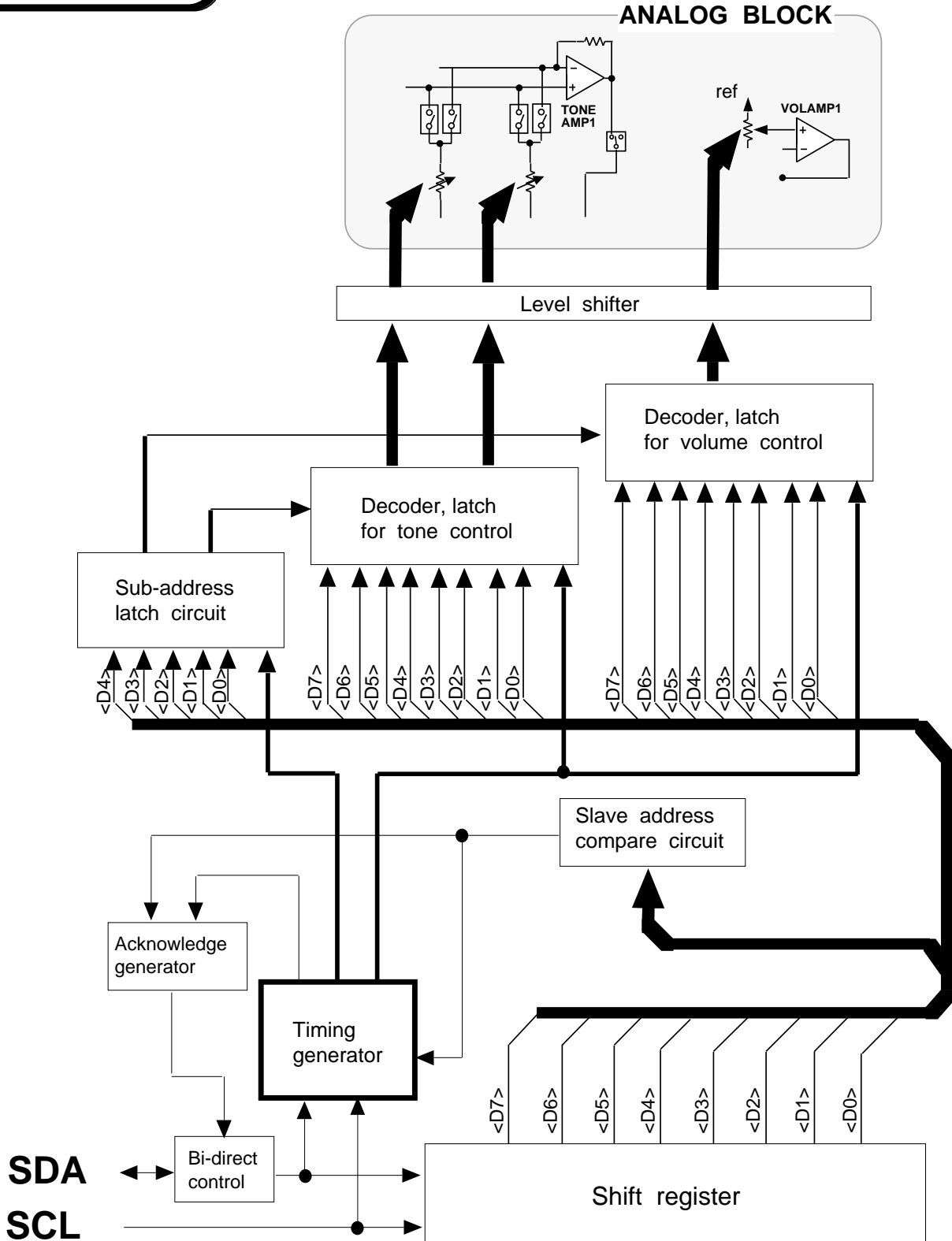
PRELIMINARY
 Notice ; This is not a final specification.
 some parametric limits are subject to change.

MITSUBISHI SOUND PROCESSOR

M62420SP/FP

SOUND CONTROLLER FOR TV

LOGIC CIRCUIT



PRELIMINARY
 Notice ; This is not a final specification.
 some parametric limits are subject to change.

MITSUBISHI SOUND PROCESSOR

M62420SP/FP

SOUND CONTROLLER FOR TV

APPLICATION EXAMPLE

