

ASSP

TIMER

MB4214

LONG PERIOD TIMER

The Fujitsu MB4214 is designed for a long period timer. It contains oscillator, divider (13 stages of flip-flop), output circuit, power supply circuit and comparator (2-ch). Arbitrary period is set by external resistor R_T , capacitor C_T and V_S input voltage.

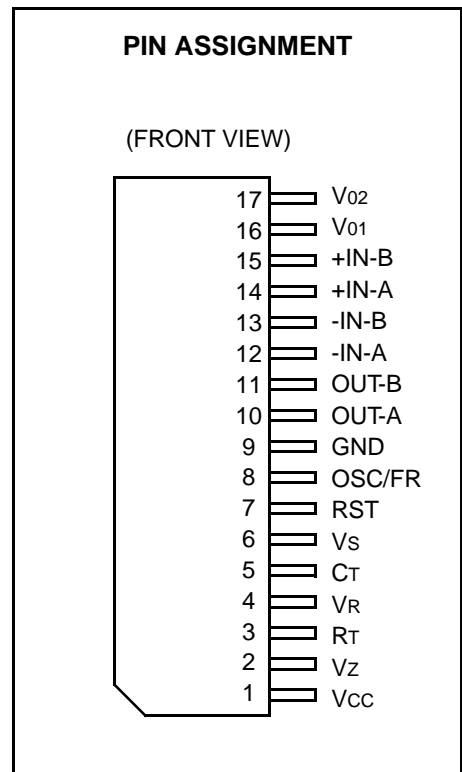
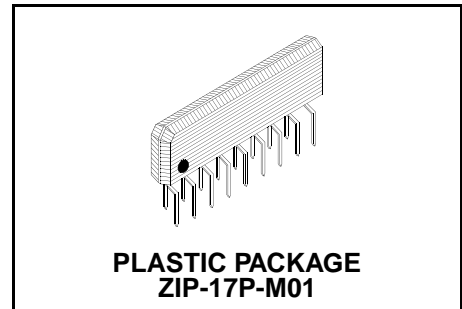
- Time adjustable: 500ms to 100hours
- Oscillator period is controlled by V_S input voltage
- Free running oscillation is achieved
- On-chip low power IIL (Integrated Injection Logic) divider
- On-chip zener diode to keep stability
- On-chip two-pair of comparators
- Timer output level: TTL level (open collector)
- Plastic 17-pin ZIP Package (Suffix: -PSZ)

ABSOLUTE MAXIMUM RATINGS

(See NOTE) ($T_A=25^\circ\text{C}$)

Rating	Symbol	Value	Unit
Power Supply Voltage	VCC	18	V
Zener Current	I _Z	20	mA
Input Voltage	V _{IN}	-0.3 to 18 ($V_{IN} \leq V_{CC}$)	V
Output Voltage	V _O	18	V
Power Dissipation	PD	620 ($T_A \leq 85^\circ\text{C}$)	mW
Operating Temperature	T _A	-30 to +85	°C
Storage Temperature	T _{STG}	-55 to +125	°C

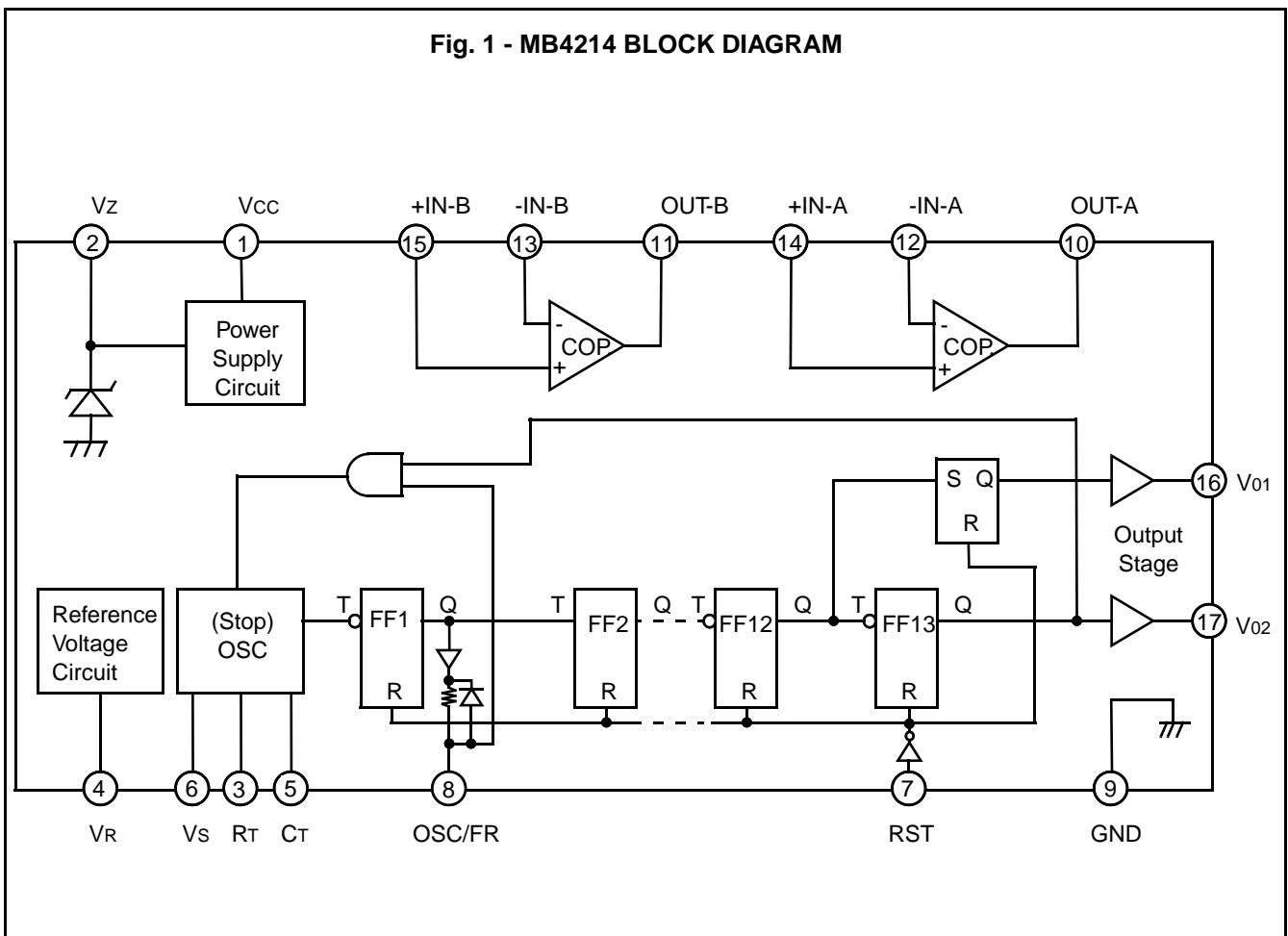
NOTE: Permanent device damage may occur if the above Absolute Maximum Ratings are exceeded. Functional operation should be restricted to the conditions as detailed in the operational sections of this data sheet. Exposure to absolute maximum rating conditions for extended periods may affect device reliability.



This device contains circuitry to protect the inputs against damage due to high static voltages or electric fields. However, it is advised that normal precautions be taken to avoid application of any voltage higher than maximum rated voltages to this high

MB4214

Fig. 1 - MB4214 BLOCK DIAGRAM



■ PIN DESCRIPTIONS

Pin No.	Pin Name	
1	VCC	Power Supply Voltage, 4.5 to 16V
2	VZ	Zener Pin VZ pin outputs zener current 20mA max. Unless it is used as stability power supply source, it should be connected to VCC pin through a resistor about 100k Ω .
3	RT	RT Input Pin This pin is provided to connect the time constant of a resistor which controls the oscillator period.
4	VR	Reference Voltage Output Reference voltage of 3.5V is output. This pin can supply the current up to 3mA.
5	CT	C _T Input pin This pin is provided to connect a capacitor which controls the oscillator period.
6	VS	V _S Input Voltage Input Voltage to this pin controls the oscillator period.
7	RST	Reset Pin Counter operation is interrupted by the instruction of RST pin input level. All counter is cleared when this pin is connected to GND. Power on reset is achieved by connecting a external capacitor.
8	OSC/FR	Free Running Oscillator Output When this pin is connected to GND, 4096 times as long as normal oscillator frequency is output.
9	GND	Ground
10 11	OUT-A OUT-B	Open Collector outputs
12 13 14 15	-IN-A -IN-B +IN-A +IN-B	Comparator Inputs
16	V01	Timer Output Pin NO. 1 The 2048times as long as fundamental oscillator period is kept.
17	V02	Time Output Pin NO. 2 The 4096 times as long as fundamental oscillator period is kept. Owing to free running oscillation, the 4096times as long as oscillator frequency is output.

■ FUNCTIONAL DESCRIPTIONS

The MB4214 contains reference voltage circuit, oscillator, divider and comparator as shown in Fig. 1. Oscillator frequency is arbitrary controlled by external resistor R_T , capacitor C_T and V_s input voltage.

Divider consists of 13 stages of divider circuit which is constructed by IIL (Intergrated Injection Logic) technique. It expands the oscillator period up to 4096times. About 100hours period is achieved by a small capacitor.

Free Running Oscillation (Long period low frequency) is achieved when OSC/FR pin is connected to GND.

START RESISTOR R_s

R_s is a start resistor which controls zener diode current. Zener current is 20mA max and stability zener voltage 6.2V is generated.

RESET FUNCTION

Counter operation is interrupted by the instruction of reset pin (7pin). All counter is cleared when this pin is connected to GND. Power on reset is available by connecting a external capacitor C_{RS} . Power on reset time t_{POR} is formulated:

$$t_{POR} \approx 3.5 \frac{C_{RS}}{I_{RS}} \text{ (s)}$$

OSCILLATOR PERIOD

Two kinds of oscillator period selecting ways are provided.

Divide internal reference voltage by external resistor, to be the V_s voltage.

R_T pin voltage and reference voltage has the 2 : 3.5 ratio.

Oscillator period is formulated:

$$t_{OSC} \approx \frac{3.5}{2} R_T C_T \frac{R_2}{R_1 + R_2} \text{ (s)}$$

Providing V_s voltage in other power supply source.

$$t_{OSC} \approx K \frac{R_T C_T}{2} V_s \text{ (s)}$$

Note:

Conversion value $K \approx 1$

FREE RUNNING OSCILLATION

Free running oscillation is achieved when OSC/FR pin is connected to GND.

V_{02} pin outputs 4096times as long as fundamental oscillator frequency.

After the voltage is applied or reset is released, V_{02} keeps 2048times as long as fundamental period. When OSC/FR pin is left open, first divider data is output.

■ RECOMMENDED OPERATING CONDITIONS

Parameter	Symbol	Value	Unit
Power Supply Voltage	V _{CC}	4.5 to 16	V
Timing Resistance	R _T	10 to 220	kΩ
Timing Capacitance	C _T	0.001 to 100	μF
Operating Temperature	T _A	-30 to +85	°C

■ ELECTRICAL CHARACTERISTICS

Comparator Section

(T_A=25°C, V_{CC}=12V, R_S=100kΩ)

Parameter	Symbol	Condition	Value			Unit
			Min	Typ	Max	
Input Offset Voltage	V _{IO}		-	2.0	5.0	mV
Input Offset Current	I _{IO}		-	5	50	nA
Input Bias Current	I _I		-250	-25	-	nA
Common-Mode Input Voltage	V _{CM}		0	-	V _{CC} -1.5	V
Voltage Gain	A _V	R _L =15kΩ	25	200	-	V/mV
Output Saturation Voltage	V _{OL}	I _{OL} =10mA	-	0.2	0.4	V
Output Sink Current	I _{SINK}	V _{OL} =1.5V	20	-	-	mA
Output Leakage Current	I _{OH}	V _{OH} =18V	-	-	1.0	μA
Response Time	t _R	R _L =5.1kΩ, V _{RL} =5V	-	1.3	-	μA
Large Signal Response Time	t _{RL}	R _L =5.1kΩ, V _{RL} =5V	-	300	-	ns

MB4214

■ ELECTRICAL CHARACTERISTICS (Continued)

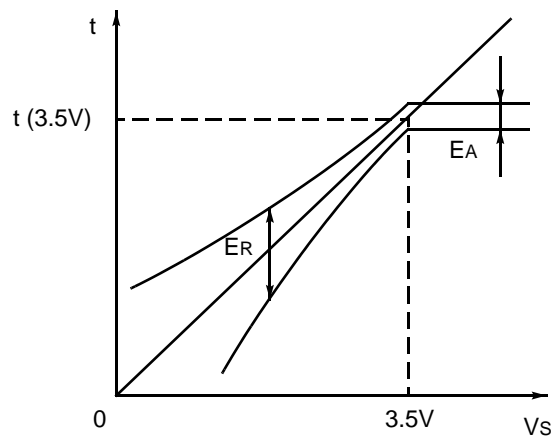
Timer Section

($T_A=25^{\circ}\text{C}$, $V_{CC}=12\text{V}$, $R_S=100\text{k}\Omega$)

Parameter	Symbol	Condition	Value			Unit
			Min	Typ	Max	
Power Supply Current	I_{CC}	$V_{CC}=12\text{V}$	50.	8.0	12	mA
Zener Voltage	V_Z	$I_Z=0.3$ to 5mA	5.7	6.2	6.7	V
Reference Voltage	V_R	$V_{CC}=4.5$ to 16V , $I_R=0$ to -3mA	3.3	3.5	3.7	V
	V_{RT}	$I_{RT}=-200\mu\text{A}$	1.88	2.0	2.12	V
Charge Current	I_{CT1}	$I_{RT}=-10\mu\text{A}$	-11	-10	-9	μA
	I_{CT2}	$I_{RT}=-200\mu\text{A}$	-220	-200	-180	μA
Maximum Oscillation Frequency	f_{MAX}		10	100	-	kHz
Reset Input Threshold Voltage	V_{IL}		1.1	1.4	1.7	V
	V_{IH}		3.2	3.5	3.8	V
Reset Charge Current	I_{RS}	$V_{RS}=0\text{V}$	-160	-100	-60	μA
OSC/FR Output Voltage	V_{OL}		1.1	1.4	1.7	V
	V_{OH}		3.7	4.2	4.7	V
Stop Input Current	I_{IST}	$V_{ST}=0.4\text{V}$	-200	-100	-	μA
Output Saturation Voltage	V_{OL}	$I_{OL}=10\text{mA}$	-	0.2	0.4	V
Output Sink Current	I_{SINK}	$V_{OL}=1.5\text{V}$	20	-	-	mA
Output Leakage Current	I_{OH}	$V_{OH}=18\text{V}$	-	-	1.0	μA
V_S Input Current	I_{IS}	$V_S=0.4\text{V}$	-5	-1	-	μA
V_S Input Voltage	V_{INS}		0.1	-	$V_{CC}-2$	V
V_T Setting Error	E_A	$C_T=0.01\mu\text{F}$, $R_T=100\text{k}\Omega$, $V_S=V_R$	-10	-	10	%
Linearity Error	E_R	$C_T=0.01\mu\text{F}$, $R_T=100\text{k}\Omega$,	-2.5	-	2.5	%

Fig. 2 - LINEARITY ERROR

$$E_R = \frac{t(0.1V) - t(3.5V)/35}{t(3.5V)} \times 100 (\%)$$



OSCILLATOR PERIOD

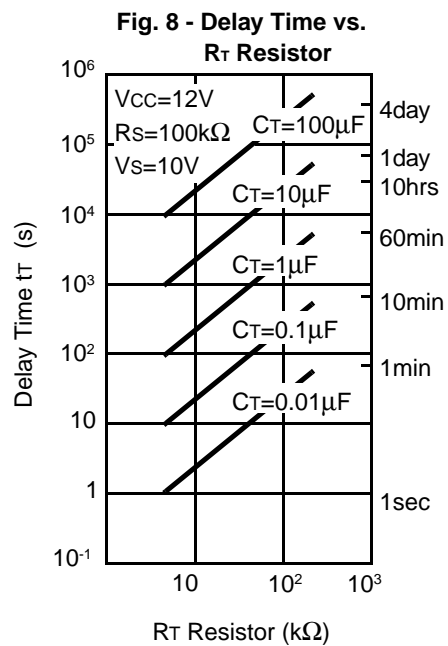
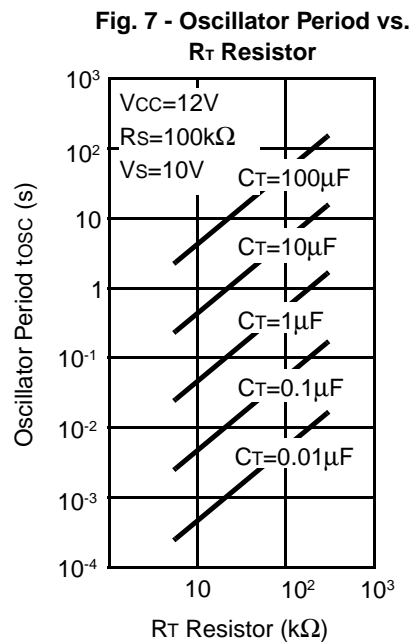
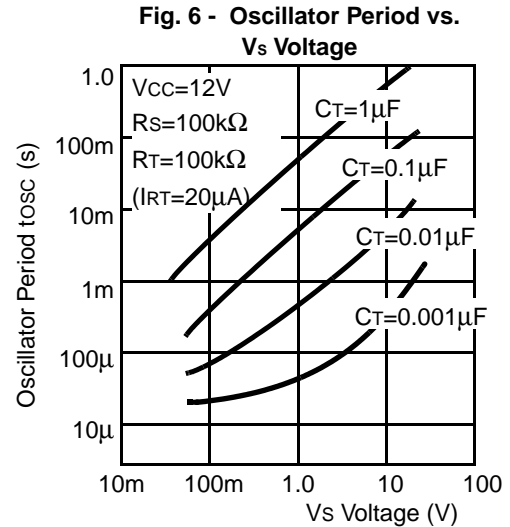
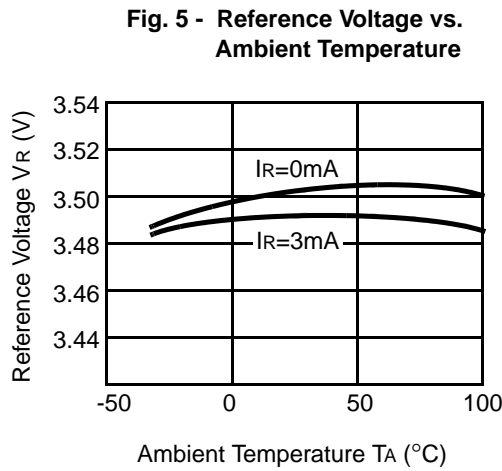
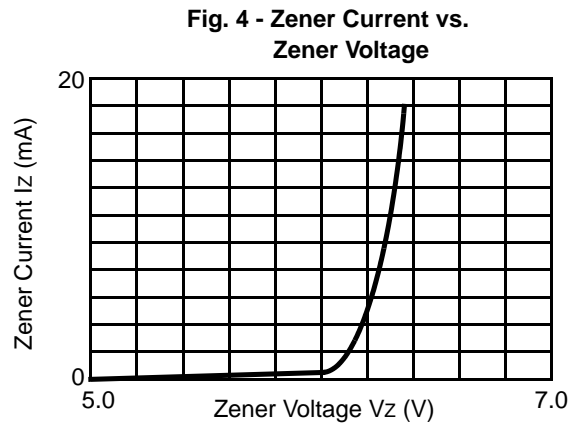
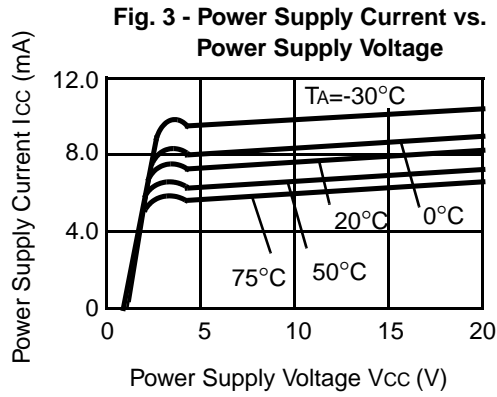
$$1. t_{osc} \cong K \cdot \frac{R_T C_T}{2} \cdot V_S (s)$$

$$2. t_{osc} \cong \frac{3.5}{2} R_T C_T \frac{R_2}{R_1 + R_2} (s)$$

Note: Divide internal reference voltage \$V_R\$ by external resistor, to be the \$V_S\$ Voltage.

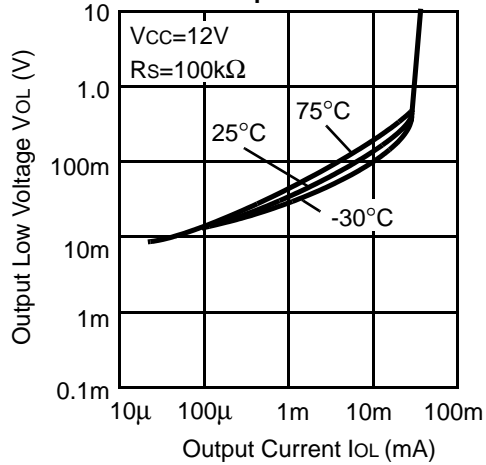
■ TYPICAL CHARACTERISTICS CURVES

TIMER SECTION



TIMER SECTION (continued)

Fig. 9 - Output Low Voltage vs. Output Current



COMPARATOR SECTION

Fig. 10 - Input Voltage/Output Voltage vs. Time

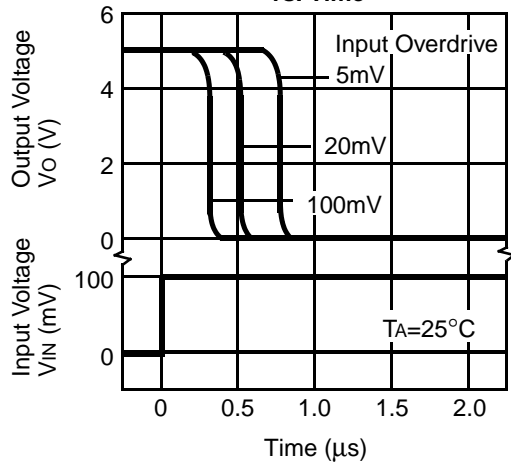


Fig. 11 - Output Low Voltage vs. Output Current

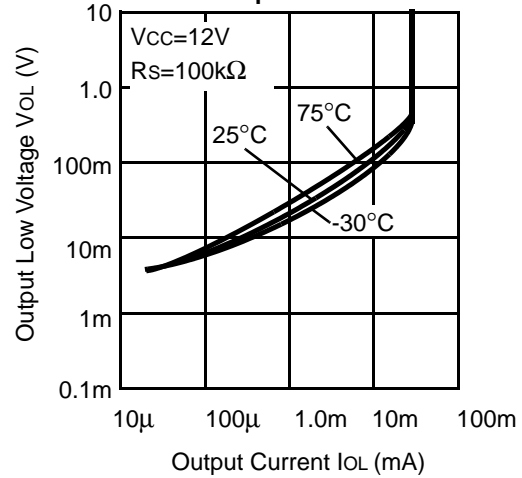
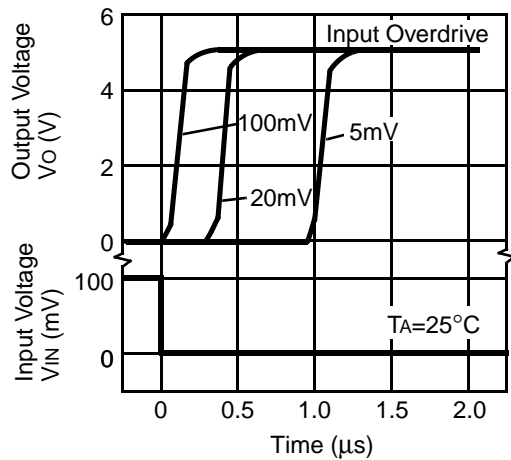


Fig. 12 - Input Voltage/Output Voltage vs. Time



APPLICATION EXAMPLES

Fig. 13 - Timer

$$t_{osc} = \frac{3.5}{2} \cdot R_T \cdot C_T \cdot \frac{R_2}{R_1 + R_2} [s]$$

Start timing: Rising edge of reset signal
 Stop timing: Rising edge of V01 output

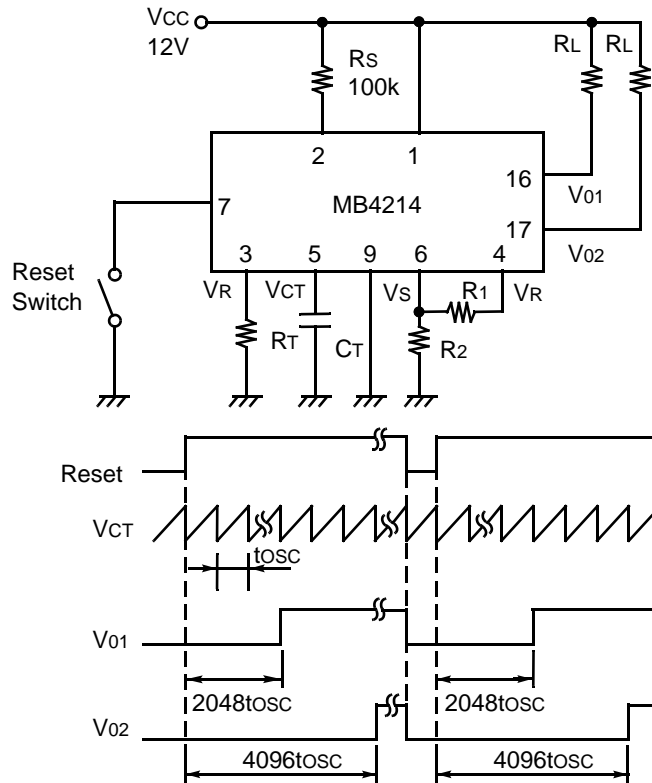
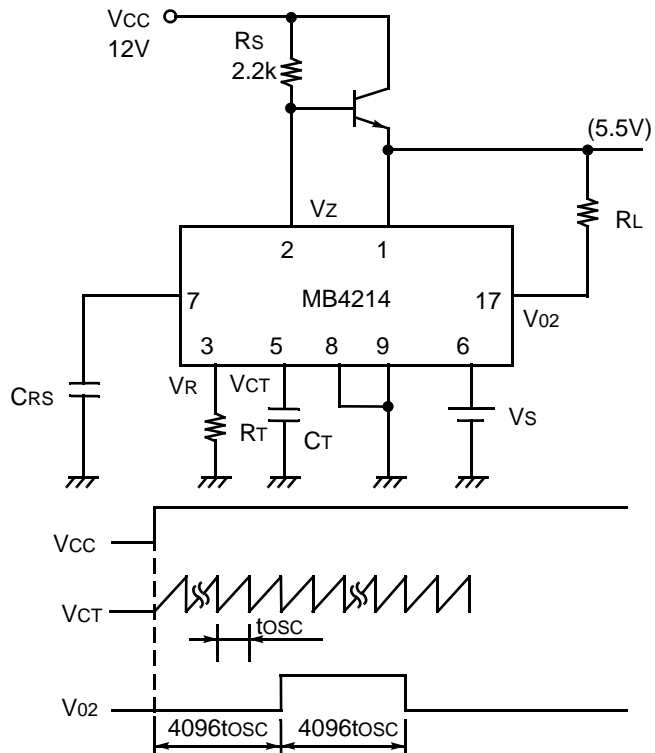


Fig. 14 - Super Low Frequency Oscillator

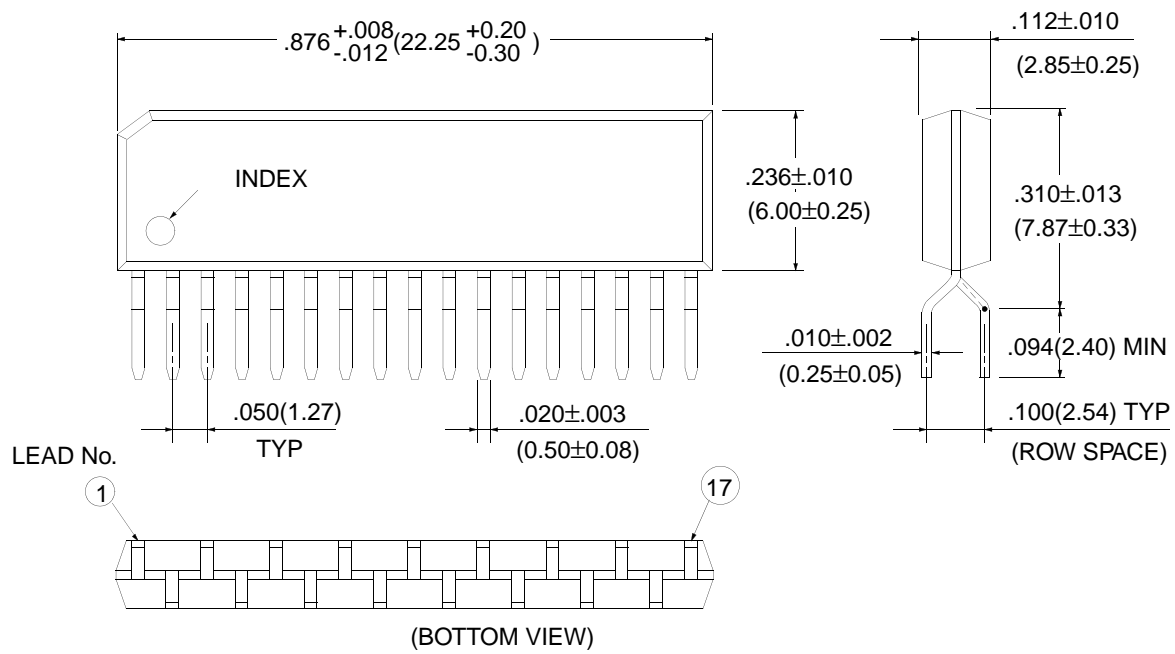
$$t_{osc} = K \cdot \frac{R_T \cdot C_T}{2} \cdot V_S [s]$$

$$t_{POR} = 3.5 \cdot \frac{C_{RS}}{I_{RS}} [s]$$



■ PACKAGE DIMENSIONS

17-LEAD PLASTIC ZIGZAG-IN-LINE PACKAGE
(CASE No. : ZIP-17P-M01)



©1991 FUJITSU LIMITED Z17001Z-3C

Dimensions in inches (millimeters)

FUJITSU LIMITED

For further information please contact:

Japan

FUJITSU LIMITED
Corporate Global Business Support Division
Electronic Devices
KAWASAKI PLANT, 1015, Kamikodanaka
Nakahara-ku, Kawasaki-shi
Kanagawa 211, Japan
Tel: (044) 754-3753
Fax: (044) 754-3329

North and South America

FUJITSU MICROELECTRONICS, INC.
Semiconductor Division
3545 North First Street
San Jose, CA 95134-1804, U.S.A.
Tel: (408) 922-9000
Fax: (408) 432-9044/9045

Europe

FUJITSU MIKROELEKTRONIK GmbH
Am Siebenstein 6-10
63303 Dreieich-Buchsschlag
Germany
Tel: (06103) 690-0
Fax: (06103) 690-122

Asia Pacific

FUJITSU MICROELECTRONICS ASIA PTE. LIMITED
No. 51 Bras Basah Road,
Plaza By The Park,
#06-04 to #06-07
Singapore 189554
Tel: 336-1600
Fax: 336-1609

All Rights Reserved.

Circuit diagrams utilizing Fujitsu products are included as a means of illustrating typical semiconductor applications. Complete information sufficient for construction purposes is not necessarily given.

The information contained in this document has been carefully checked and is believed to be reliable. However, Fujitsu assumes no responsibility for inaccuracies.

The information contained in this document does not convey any license under the copyrights, patent rights or trademarks claimed and owned by Fujitsu.

Fujitsu reserves the right to change products or specifications without notice.

No part of this publication may be copied or reproduced in any form or by any means, or transferred to any third party without prior written consent of Fujitsu.

The information contained in this document are not intended for use with equipments which require extremely high reliability such as aerospace equipments, undersea repeaters, nuclear control systems or medical equipments for life support.