

TOSHIBA BIPOLAR LINEAR INTEGRATED CIRCUIT SILICON MONOLITHIC

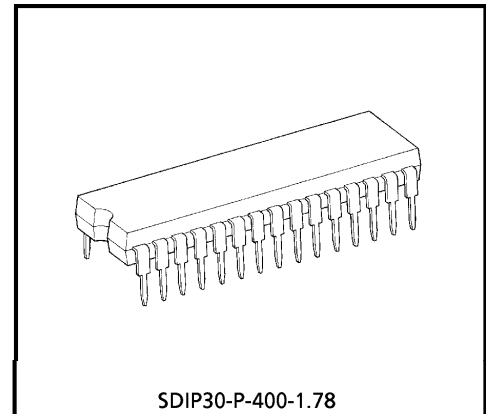
# TA1216AN

## TV-AUDIO PROCESSOR IC

TA1216AN incorporates the following : 3-channel (left, right, woofer) signal processor circuit, I/O ports for controlling multiplex sound demodulator IC, I/O ports for controlling surround IC. The IC comes in a 30-pin shrink DIP plastic package.

Using the IC facilitates volume control for channels, level adjustment, and control of multiplex sound demodulator IC and control of surround IC.

The I<sup>2</sup>C bus controls the functions of the IC.



Weight : 1.99g (Typ.)

### FEATURES

- Sound processor circuit
  - Volume control
  - Balance adjustment
  - Bass adjustment
  - Treble adjustment
  - Built-in woofer low-pass filter
- I/O port circuits
  - Circuit for controlling multiplex sound IC
  - Circuit for controlling surround IC
- I<sup>2</sup>C bus circuit
  - Adjusts filters using bus line

980910EBA1

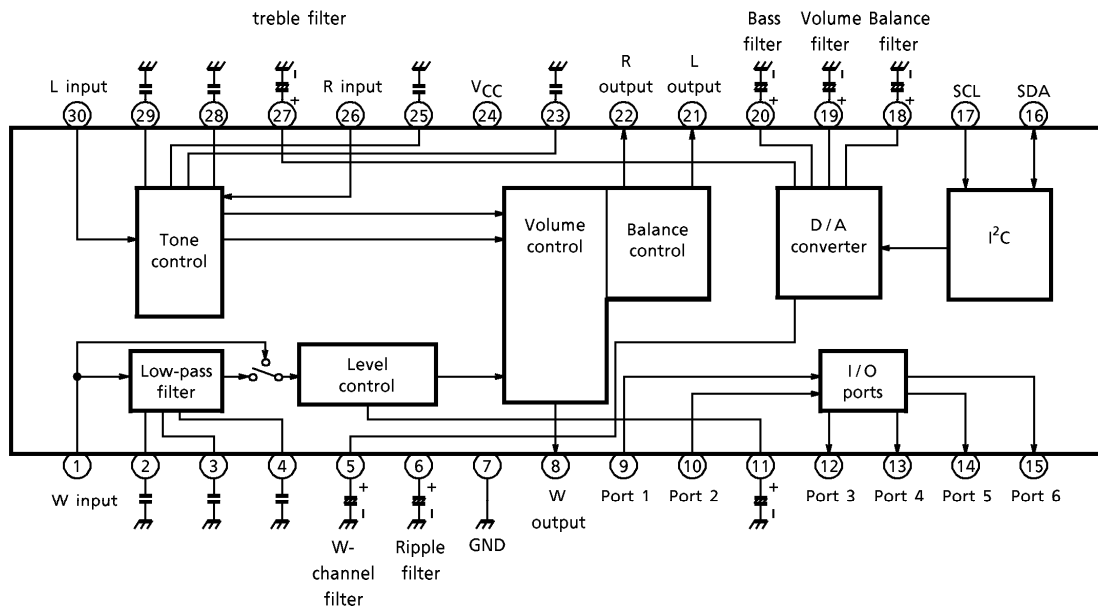
● TOSHIBA is continually working to improve the quality and the reliability of its products. Nevertheless, semiconductor devices in general can malfunction or fail due to their inherent electrical sensitivity and vulnerability to physical stress. It is the responsibility of the buyer, when utilizing TOSHIBA products, to observe standards of safety, and to avoid situations in which a malfunction or failure of a TOSHIBA product could cause loss of human life, bodily injury or damage to property. In developing your designs, please ensure that TOSHIBA products are used within specified operating ranges as set forth in the most recent products specifications. Also, please keep in mind the precautions and conditions set forth in the TOSHIBA Semiconductor Reliability Handbook.

● The products described in this document are subject to the foreign exchange and foreign trade laws.

● The information contained herein is presented only as a guide for the applications of our products. No responsibility is assumed by TOSHIBA CORPORATION for any infringements of intellectual property or other rights of the third parties which may result from its use. No license is granted by implication or otherwise under any intellectual property or other rights of TOSHIBA CORPORATION or others.

● The information contained herein is subject to change without notice.

BLOCK DIAGRAM



**PIN FUNCTION**

PIN No.	PIN NAME	FUNCTION	INTERFACE CIRCUIT
1	W-channel input	Audio signal input pin. Inputs woofer signal. Connect 1000pF capacitor between this pin and GND to prevent oscillation.	
2 3 4	W-channel LPF	Pins for connecting external capacitors for W-channel signal LPF.	
5 19	W-channel filter Volume filter	Pins for connecting capacitors to smooth control current.	
6	Ripple filter	Pins for connecting capacitor to reject ripples in supply voltage of 9V.	

PIN No.	PIN NAME	FUNCTION	INTERFACE CIRCUIT
7	GND	GND pin	—
8 21 22	W-channel output L-channel output R-channel output	Output pins for audio signal.	
9 10	Input ports	Pins for outputting signals to microcontroller by I <sup>2</sup> C bus.	
11	W-channel offset filter	Pins for rejecting offset of woofer channel.	
12 13 14	Output ports	Switches controlled by I <sup>2</sup> C bus. Open collector output.	

PIN No.	PIN NAME	FUNCTION	INTERFACE CIRCUIT
15	Output port	Switch controlled by I <sup>2</sup> C bus. Ternary output.	
16	SDA	I <sup>2</sup> C bus SDA pin	
17	SCL	I <sup>2</sup> C bus SCL pin	
18	Balance filter	Pin for connecting capacitor to smooth control current.	

PIN No.	PIN NAME	FUNCTION	INTERFACE CIRCUIT
20 27	Bass filter Treble filter	Pins for connecting capacitors to smooth control current.	
23 28	R-channel LPF L-channel LPF	Pins for connecting external capacitors for bass control LPF for R- and L-channel signal.	
25 29	R-channel HPF L-channel HPF	Pins for connecting external capacitors for treble control HPF for R- and L-channel signal.	
26 30	R-channel input L-channel input	Audio signal input pins. Input R- and L-channel signals.	
24	VCC	Power pin. Recommended supply voltage is 9V.	—

**I<sup>2</sup>C BUS CONTROL MAP**

WRITE MODE

SLAVE ADDRESS : 80H

SUB ADDRESS	CONTROL SIGNAL ARRAY CONTENTS								INITIAL VALUE
	7	6	5	4	3	2	1	0	
00H	(*)	Bass adjustment							32H (center)
01H	(*)	Treble adjustment							32H (center)
02H	(*)	Volume adjustment							00H (minimum)
03H	(*)	(*)	(*)	(*)	(*)	(*)	(*)	(*)	—
04H	(*)	W-channel level adjustment							00H (minimum)
05H	(*)	Balance adjustment							32H (center)
06H	(*)	(*)	Port 6	Port 5	Port 4	Port 3	(*)	20H	
07H	(*)	(*)	WFC	(*)	WLS	MT2	MT1	10H	

(\*) : Unusable

READ MODE

SLAVE ADDRESS : 81H

POR	(*)	(*)	(*)	(*)	(*)	(*)	Port 2	Port 1	—
-----	-----	-----	-----	-----	-----	-----	--------	--------	---

(\*) : Unusable

**BUS CONTROL FUNCTIONS**

Write mode

- Sub address ..... 06H (I/O port control)
  - Port 3 ..... 1 : Low  
0 : High
  - Port 4 ..... 1 : Low  
0 : High
  - Port 5 ..... 1 : Low  
0 : High
  - Port 6 ..... 01 : 2.5V  
10 : 0.7V  
11 : 5.0V
- Sub address ..... 07H (Woofer control and others)
  - WFC (Woofer fc control) ..... 00 : 60Hz  
01 : 80Hz  
10 : 100Hz  
11 : 120Hz
  - WLS (Woofer LFP switch) ..... 1 : LPF off  
0 : LPF on
  - MT1 (Mute 1) ..... 1 : All mute  
0 : Mute off
  - MT2 (Mute 2) ..... 1 : W-channel mute  
0 : Mute off

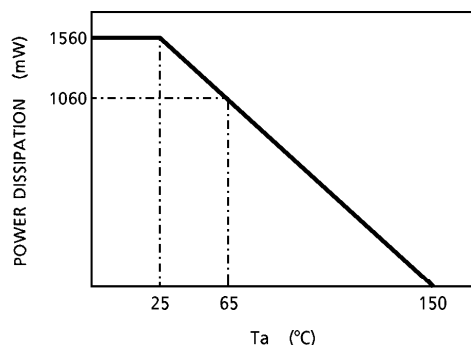
Read mode

- Port 1 ..... High : 0  
Low : 1
- Port 2 ..... High : 0  
Low : 1
- POR (power-on reset) ..... 1 : Reset



**MAXIMUM RATINGS**

CHARACTERISTIC	SYMBOL	RATING	UNIT
Supply Voltage	$V_{CCmax}$	14.0	V
Power Dissipation	$P_D$	1560	mW
Operating Temperature	$T_{opr}$	-20~65	°C
Storage Temperature	$T_{stg}$	-55~150	°C



**POWER SUPPLY (Pin 24)**

CHARACTERISTIC	SYMBOL	MIN.	TYP.	MAX.	UNIT	REMARKS
Collector Supply Voltage	$V_{CC}$	—	9.0	—	V	—
Current Dissipation	$I_{CC}$	35.0	48.2	65	mA	At power-on reset
Power Dissipation	$P_C$	315	434	585	mW	At power-on reset

**ELECTRICAL CHARACTERISTICS**

**DC CHARACTERISTICS**

Pin voltage

PIN No.	PIN NAME	SYMBOL	TEST CIR-CUIT	MIN.	TYP.	MAX.	UNIT	REMARKS
1	Woofers input	V1	—	4.4	4.9	5.4	V	—
2	W-channel LPF	V2	—	5.1	5.6	6.1	V	—
3	W-channel LPF	V3	—	5.1	5.6	6.1	V	—
4	W-channel LPF	V4	—	5.1	5.6	6.1	V	—
5	Woofers filter	V5	—	—	0.0	—	V	W-channel level = 00H
6	Ripple filter	V6	—	5.1	5.6	6.1	V	—
7	GND	V7	—	—	—	—	V	—
8	Woofers output	V8	—	3.7	4.2	4.7	V	At power-on reset
9	Input port	V9	—	—	—	—	V	—
10	Input port	V10	—	—	—	—	V	—
11	W-channel offset filter	V11	—	4.4	4.9	5.4	V	—
12	Output port	V12	—	—	—	—	V	Open collector output
13	Output port	V13	—	—	—	—	V	Open collector output
14	Output port	V14	—	—	—	—	V	Open collector output

PIN No.	PIN NAME	SYMBOL	TEST CIR-CUIT	MIN.	TYP.	MAX.	UNIT	REMARKS
15	Output port	V15	—	—	—	0.5	V	Ternary output (at low output)
16	SDA	V16	—	—	—	—	V	—
17	SCL	V17	—	—	—	—	V	—
18	Balance filter	V18	—	4.4	4.9	5.4	V	Balance = 32H
19	Volume filter	V19	—	—	0.0	—	V	Volume = 00H
20	Bass filter	V20	—	4.4	4.9	5.4	V	Bass = 32H
21	L-channel output	V21	—	3.7	4.2	4.7	V	At power-on reset
22	R-channel output	V22	—	3.7	4.2	4.7	V	At power-on reset
23	R-channel LPF	V23	—	4.4	4.9	5.4	V	—
24	V <sub>CC</sub>	V24	—	—	9.0	—	V	—
25	R-channel HPF	V25	—	4.4	4.9	5.4	V	—
26	R-channel input	V26	—	4.4	4.9	5.4	V	—
27	Treble filter	V27	—	4.4	4.9	5.4	V	Treble = 32H
28	L-channel LPF	V28	—	4.4	4.9	5.4	V	—
29	L-channel HPF	V29	—	4.4	4.9	5.4	V	—
30	L-channel input	V30	—	4.4	4.9	5.4	V	—

**ELECTRICAL MEASUREMENT**

CHARACTERISTIC	SYMBOL	TEST CIR-CUIT	TEST CONDITION	TEST PIN	MIN.	TYP.	MAX.	UNIT	
Gain	Gv.L	—	( Note 1 )	Pin 21	- 0.2	1.8	3.8	dB	
	Gv.R			Pin 22					
	Gv.W			Pin 8					
Total Harmonic Distortion	THD.L	—	( Note 2 )	Pin 21	—	0.25	1.1	%	
	THD.R			Pin 22					
	THD.W			Pin 8					
S / N	SN.L	—	( Note 3 )	Pin 21	—	—	- 70	dB	
	SN.R			Pin 22					
	SN.W			Pin 8					
Residual Noise	V <sub>NO</sub> .L	—	( Note 4 )	Pin 21	—	—	50	μV <sub>p-p</sub>	
	V <sub>NO</sub> .R			Pin 22					
	V <sub>NO</sub> .W			Pin 8					
Frequency Characteristic (100Hz)	FC <sub>L</sub> .L	—	( Note 5 )	Pin 21	- 2	0	2	dB	
	FC <sub>L</sub> .R			Pin 22					
Frequency Characteristic (10kHz)	FC <sub>H</sub> .L	—	( Note 6 )	Pin 21	- 2	0	2	dB	
	FC <sub>H</sub> .R			Pin 22					
LPF Frequency Characteristic (160Hz)	fc = 60Hz	FCo.W1	—	( Note 7 )	Pin 8	- 10.5	- 7.5	- 4.5	dB
	fc = 80Hz	FCo.W2				- 8	- 5	- 2	
	fc = 100Hz	FCo.W3				- 7	- 4	- 1	
	fc = 120Hz	FCo.W4				- 16	- 9	- 1	
Balance Center	ΔV <sub>L-R</sub>	—	( Note 8 )	Pin 21 Pin 22	- 2	0	2	dB	

CHARACTERISTIC	SYMBOL	TEST CIRCUIT	TEST CONDITION	TEST PIN	MIN.	TYP.	MAX.	UNIT
Balance Minimum	V <sub>L</sub> MIN	—	(Note 9)	Pin 21	—	—	-60	dB
	V <sub>R</sub> MIN			Pin 22				
Treble Maximum	V <sub>T</sub> MAX <sub>L</sub>	—	(Note 10)	Pin 21	6.0	8.0	10.0	dB
	V <sub>T</sub> MAX <sub>R</sub>			Pin 22				
Treble Minimum	V <sub>T</sub> MIN <sub>L</sub>	—	(Note 11)	Pin 21	-10.0	-8.0	-6.0	dB
	V <sub>T</sub> MIN <sub>R</sub>			Pin 22				
Bass Maximum	V <sub>B</sub> MAX <sub>L</sub>	—	(Note 12)	Pin 21	6.0	8.0	10.0	dB
	V <sub>B</sub> MAX <sub>R</sub>			Pin 22				
Bass Minimum	V <sub>B</sub> MIN <sub>L</sub>	—	(Note 13)	Pin 21	-10.0	-8.0	-6.0	dB
	V <sub>B</sub> MIN <sub>R</sub>			Pin 22				
Volume Center	V <sub>V</sub> CEN <sub>L</sub>	—	(Note 14)	Pin 21	-18	-16	-13	dB
	V <sub>V</sub> CEN <sub>R</sub>			Pin 22				
	V <sub>V</sub> CEN <sub>W</sub>			Pin 8				
Level Center	V <sub>L</sub> CEN <sub>W</sub>	—	(Note 15)	Pin 8	-9.0	-7.0	-5.0	dB
Residual Noise	V <sub>M</sub> .L	—	(Note 16)	Pin 21	—	—	100	μV <sub>p-p</sub>
	V <sub>M</sub> .R			Pin 22				
	V <sub>M</sub> .W			Pin 8				
Cross Talk	C <sub>R</sub> L-R	—	(Note 17)	Pin 22	—	—	80	dB
	C <sub>R</sub> R-L			Pin 21				
	C <sub>R</sub> L-W			Pin 8				
	C <sub>R</sub> R-W			Pin 8				
	C <sub>R</sub> W-R			Pin 22				
	C <sub>R</sub> W-L			Pin 21				
Ripple Rejection Ratio (Minimum Volume)	RR.L	—	(Note 18)	Pin 21	—	—	-30	dB
	RR.R			Pin 22				
Ripple Rejection Ratio (Maximum Volume)	RR'.L	—	(Note 19)	Pin 21	—	—	-30	dB
	RR'.R			Pin 22				
Output Dynamic Range	V <sub>O</sub> UT.L	—	(Note 20)	Pin 21	6.5	—	—	V
	V <sub>O</sub> UT.R			Pin 22				
	V <sub>O</sub> UT.W			Pin 8				
Input Dynamic Range	V <sub>I</sub> N.L	—	(Note 21)	Pin 30	5.0	5.4	—	V
	V <sub>I</sub> N.R			Pin 26				
	V <sub>I</sub> N.W			Pin 1				
Offset	ΔV <sub>BAS</sub>	—	(Note 22)	Pin 21 Pin 22	—	110	350	mV
	ΔV <sub>TRB</sub>							
	ΔV <sub>VOL</sub>			Pin 8				
	ΔV <sub>WL</sub>							
	ΔV <sub>BAL</sub>							
Mute Residual Noise	MU.M	—	(Note 23)	Pin 21	—	—	100	μV <sub>p-p</sub>
	MU.W			Pin 8				

CHARACTERISTICS	SYMBOL	TEST CIRCUIT	TEST CONDITION	TEST PIN	MIN.	TYP.	MAX.	UNIT
LPF Off Mode	SW.L-	2	(Note 24)	Pin 8	-2	0	2	dB
Port 1, Port 2 Low-Level Input Voltage	V <sub>1L</sub>	2	(Note 25)	Pin 9	—	—	1.0	V
				Pin 10				
Port 1, Port 2 High-Level Input Voltage	V <sub>1H</sub>	2	(Note 26)	Pin 9	3.5	—	V <sub>CC</sub>	V
				Pin 10				
Port 6 Low-Level Output Voltage	V <sub>6Lo</sub>	2	(Note 27)	Pin 15	—	—	0.5	V
Port 6 Medium-Level Output Voltage	V <sub>6Mid</sub>	2	(Note 28)	Pin 15	2.0	2.5	3.0	V
Port 6 High-Level Output Voltage	V <sub>6Hi</sub>	2	(Note 29)	Pin 15	4.5	5.0	—	V
Port 6 Source Current	I <sub>HiP6</sub>	2	(Note 30)	Pin 15	—	—	2	mA
Port 6 Sink Current	I <sub>LoP6</sub>	2	(Note 31)	Pin 15	—	—	300	μA
Port 3, Port 4, Port 5 Sink Current	I <sub>Lo</sub>	2	(Note 32)	Pin 12 Pin 13 Pin 14	—	—	1	mA

**TEST CONDITION**

Note	CHARACTERISTIC		SW & VR MODE								INPUT SIGNAL	TEST METHOD	
			00H	01H	02H	03H	04H	05H	06H	07H			
1	Gain	L-ch	32H	32H	64H	—	64H	32H	20H	10H	1kHz, 500mV	Measure gain between input and output.	
		R-ch									80Hz, 500mV		
		W-ch											
2	Total Harmonic Distortion	L-ch	↑	↑	↑	↑	↑	↑	↑	↑	1kHz, 500mV	Measure distortion ratio.	
		R-ch									80Hz, 500mV		
		W-ch											
3	S/N	L-ch	↑	↑	↑	↑	↑	↑	↑	↑	1kHz, 500mV	When level at sound signal is A and at no signal is B, determine $20\log(A/B)$ . Use 15kHz LPF.	
		R-ch									80Hz, 500mV		
		W-ch											
4	Residual Noise	L-ch	↑	↑	↑	↑	00H	↑	↑	↑	Connect capacitor (0.01μF) between this pin and ground.	Noise level at minimum volume. Use 15kHz LPF.	
		R-ch											
		W-ch											
5	Frequency Characteristic (100Hz)	L-ch	↑	↑	↑	↑	64H	↑	↑	↑	100Hz, 500mV	When 1kHz signal is input, output level is 0dB.	
		R-ch											
6	Frequency Characteristic (10kHz)	L-ch	↑	↑	↑	↑	↑	↑	↑	↑	10kHz, 500mV	When 1kHz signal is input, output level is 0dB.	
		R-ch											
7	LPF Frequency Characteristic (160Hz)	fc = 60Hz	↑	↑	↑	↑	↑	↑	↑	00H	160Hz, 500mV	Difference from when fc = 120Hz	
		fc = 80Hz								10H			Difference from when fc = 80Hz
		fc = 100Hz								20H			
		fc = 120Hz								30H			
8	Balance Center		↑	↑	↑	↑	↑	↑	↑	10H	1kHz, 500mV	Measure gain difference between L and R.	
9	Balance Minimum	L-ch	↑	↑	↑	↑	↑	64H	↑	↑	1kHz, 500mV	Measure residual noise at minimum balance. Use 1kHz BPF.	
		R-ch						00H					
10	Treble Maximum	L-ch	↑	64H	↑	↑	↑	32H	↑	↑	10kHz, 500mV	When 1kHz signal is input with tone flat, output level is 0dB.	
		R-ch											
11	Treble Minimum	L-ch	↑	00H	↑	↑	↑	↑	↑	↑	10kHz, 500mV	When 1kHz signal is input with tone flat, output level is 0dB.	
		R-ch											

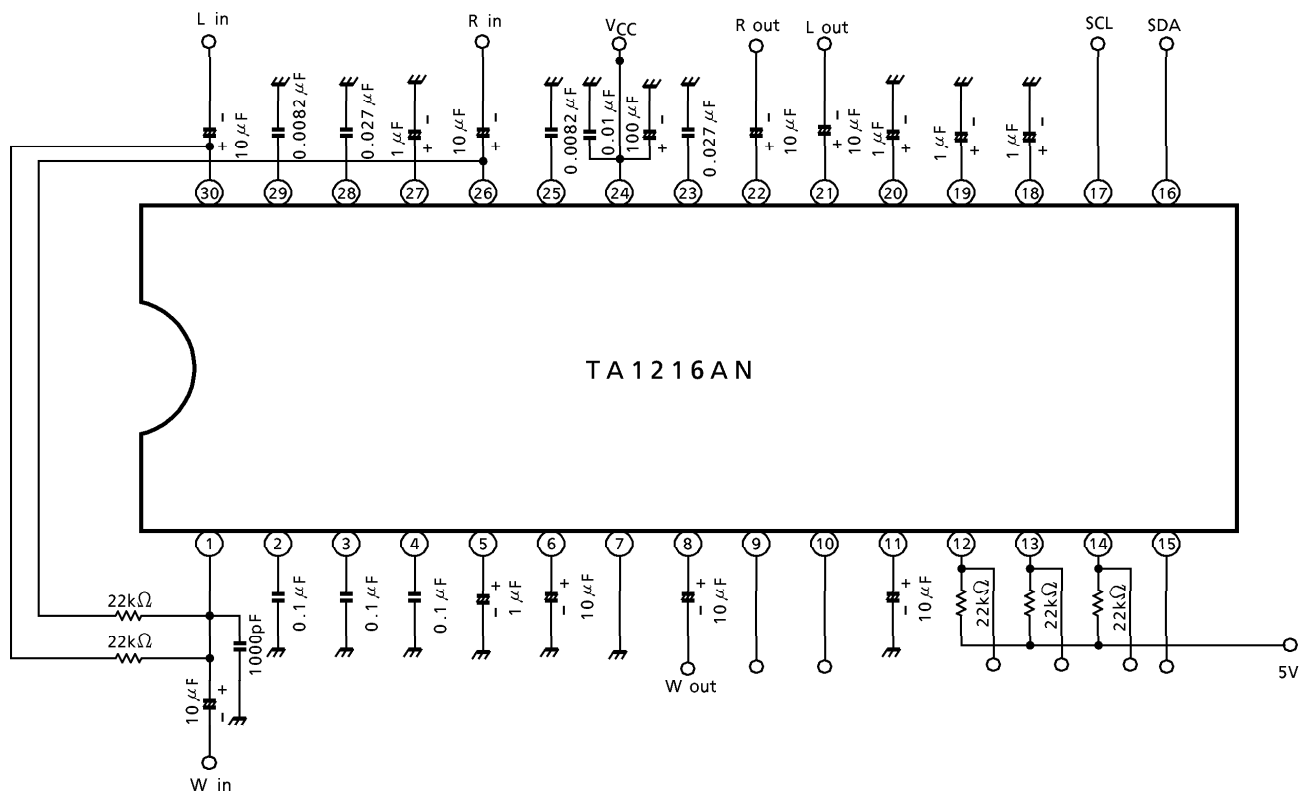
Note	CHARACTERISTICS		SW & VR MODE								INPUT SIGNAL	TEST METHOD
			00H	01H	02H	03H	04H	05H	06H	07H		
12	Bass Maximum	L-ch	64H	32H	64H	—	64H	32H	20H	10H	100Hz, 500mV	When 1kHz signal is input with tone flat, output level is 0dB.
		R-ch										
13	Bass Minimum	L-ch	00H	↑	↑	↑	↑	↑	↑	↑	100Hz, 500mV	When 1kHz signal is input with tone flat, output level is 0dB.
		R-ch										
14	Volume Center	L-ch	32H	↑	32H	↑	↑	↑	↑	↑	1kHz, 500mV	At maximum volume, output level is 0dB.
		R-ch									80Hz, 500mV	
		W-ch										
15	Level Center	W-ch	↑	↑	64H	↑	32H	↑	↑	↑	80kHz, 500mV	At maximum level, output level is 0dB.
16	Residual Noise	L-ch	↑	↑	00H	↑	00H	↑	↑	↑	1kHz, 500mV	Measure output amplitude at minimum volume.
		R-ch										
		W-ch									80Hz, 500mV	
17	Cross Talk	L→R	↑	↑	64H	↑	64H	↑	↑	↑	1kHz, 500mV	R output at L input.
		R→L									L output at R input.	
		L→W									80Hz, 500mV	W output at L input.
		R→W										W output at R input.
		W→L										L output at W input.
		W→R										R output at W input.
18	Ripple Rejection Ratio (Minimum Volume)	L-ch	↑	↑	00H	↑	↑	↑	↑	↑	60Hz, 500mV	Add V <sub>CC</sub> via 51Ω and input signal from pin 24.
		R-ch										
19	Ripple Rejection Ratio (Maximum Volume)	L-ch	↑	↑	64H	↑	↑	↑	↑	↑	60Hz, 500mV	Add V <sub>CC</sub> via 51Ω and input signal from pin 24.
		R-ch										
		W-ch										
20	Output Dynamic Range	L-ch	64H	64H	↑	↑	↑	↑	↑	↑	100Hz, 10kHz	Output amplitude when output distorts (THD = 1%).
		R-ch									80Hz	
		W-ch										
21	Input Dynamic Range	L-ch	32H	32H	32H	↑	↑	↑	↑	↑	1kHz	Input amplitude when output distorts (THD = 1%).
		R-ch									80Hz	
		W-ch										

Note	CHARACTERISTICS		SW & VR MODE								INPUT SIGNAL	TEST METHOD	
			00H	01H	02H	03H	04H	05H	06H	07H			
22	Offset	BAS	(*)			—				20H	10H	Connect capacitor (0.01μF) between this pin and ground.	DC fluctuation due to bus control
		TRB		(*)									
		VOL			(*)								
		W LEV					(*)						
		BAL							(*)				
23	Mute Residual Noise	L-ch	32H	32H	64H	↑	64H	32H	20H	11H	1kHz, 500mV	—	
		W-ch								12H	80Hz, 500mV		
24	LPF Off Mode	W-ch	↑	↑	↑	↑	↑	↑	↑	14H	1kHz, 500mV	—	
25	Port 1, Port 2 Low-Level Input Voltage		—	—	—	—	—	—	—	—	—	—	—
26	Port 1, Port 2 High-Level Input Voltage		—	—	—	—	—	—	—	—	—	—	—
27	Port 6 Low-Level Output Voltage		—	—	—	—	—	—	20H	—	—	—	—
28	Port 6 Medium-Level Output Voltage		—	—	—	—	—	—	10H	—	—	—	—
29	Port 6 High-Level Output Voltage		—	—	—	—	—	—	30H	—	—	—	—
30	Port 6 Source Current		—	—	—	—	—	—	20H	—	—	—	—
31	Port 6 Sink Current		—	—	—	—	—	—	↑	—	—	—	—
32	Port 3, Port 4, Port 5 Sink Current		—	—	—	—	—	—	1FH	—	—	—	—



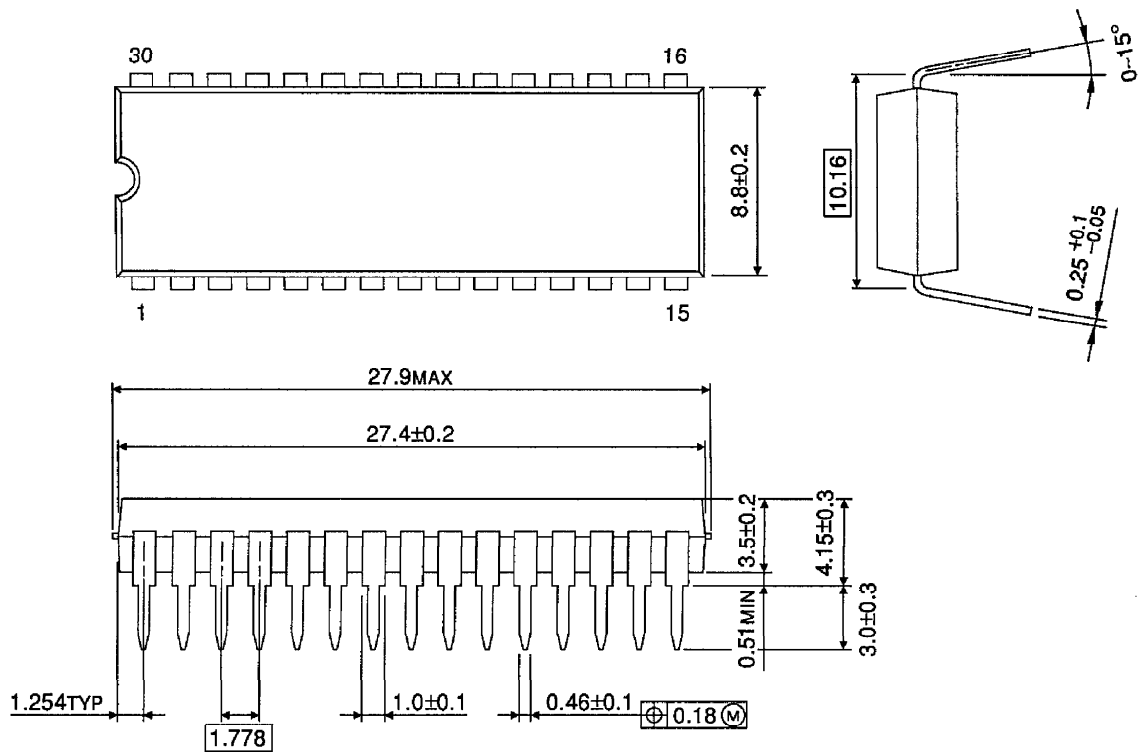


APPLICATION CIRCUIT



**OUTLINE DRAWING**  
SDIP30-P-400-1.78

Unit : mm



Weight : 1.99g (Typ.)