

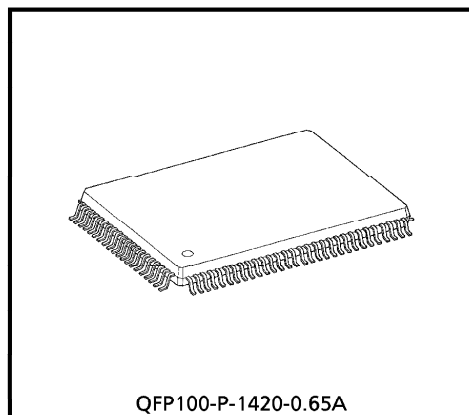
# T 6 B 3 6

## ROW DRIVER FOR A DOT MATRIX LCD

The T6B36 is an 80-channel-output row driver for an STN dot matrix LCD. The T6B36 features an  $-38V$ -LCD drive voltage. The T6B36 is able to drive LCD panels with a duty ratio of up to  $1/480$ . It is recommended for use with the T6A39.

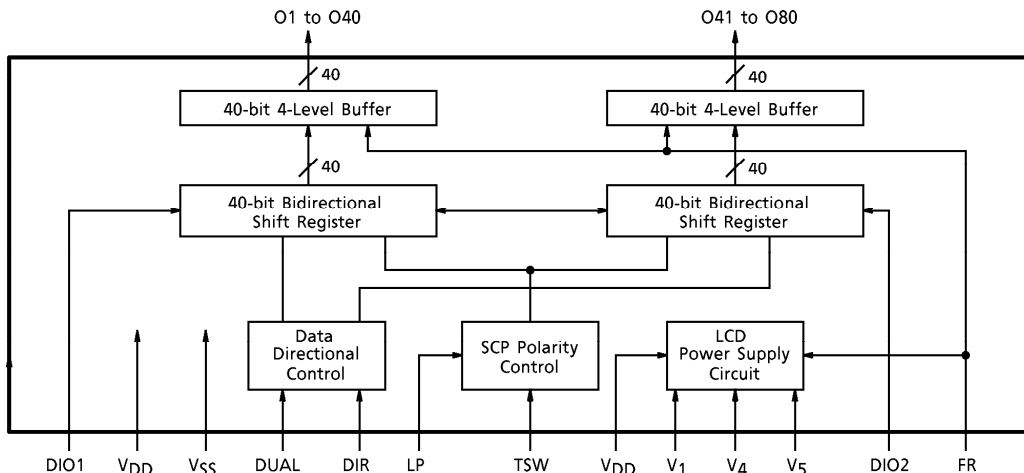
### FEATURES

- Display duty application : to  $1/480$
- LCD drive signal : 80
- Data transfer : 1-bit bidirectional
  - ① O80←O1
  - ② O80→O1
  - ③ O1→O40, O41←O80
- LCD drive voltage :  $-10$  to  $-38V$  (max  $-40V$ )
- Operating voltage :  $4.5$  to  $5.5V$
- Operating temperature :  $-20$  to  $75^{\circ}C$
- LCD drive output resistance :  $2.2k\Omega$  (max) ( $20V$ ,  $1/13$  bias)
- Display-off function : When /DSPOF is L, all LCD drive outputs (O1 to O80) remain at the  $V_{DD}$  level.
- LCD drive output timing : Change on falling edge or rising edge of LP (selected by TSW)



Weight : 1.6g (typ.)

### BLOCK DIAGRAM



961001EBA2

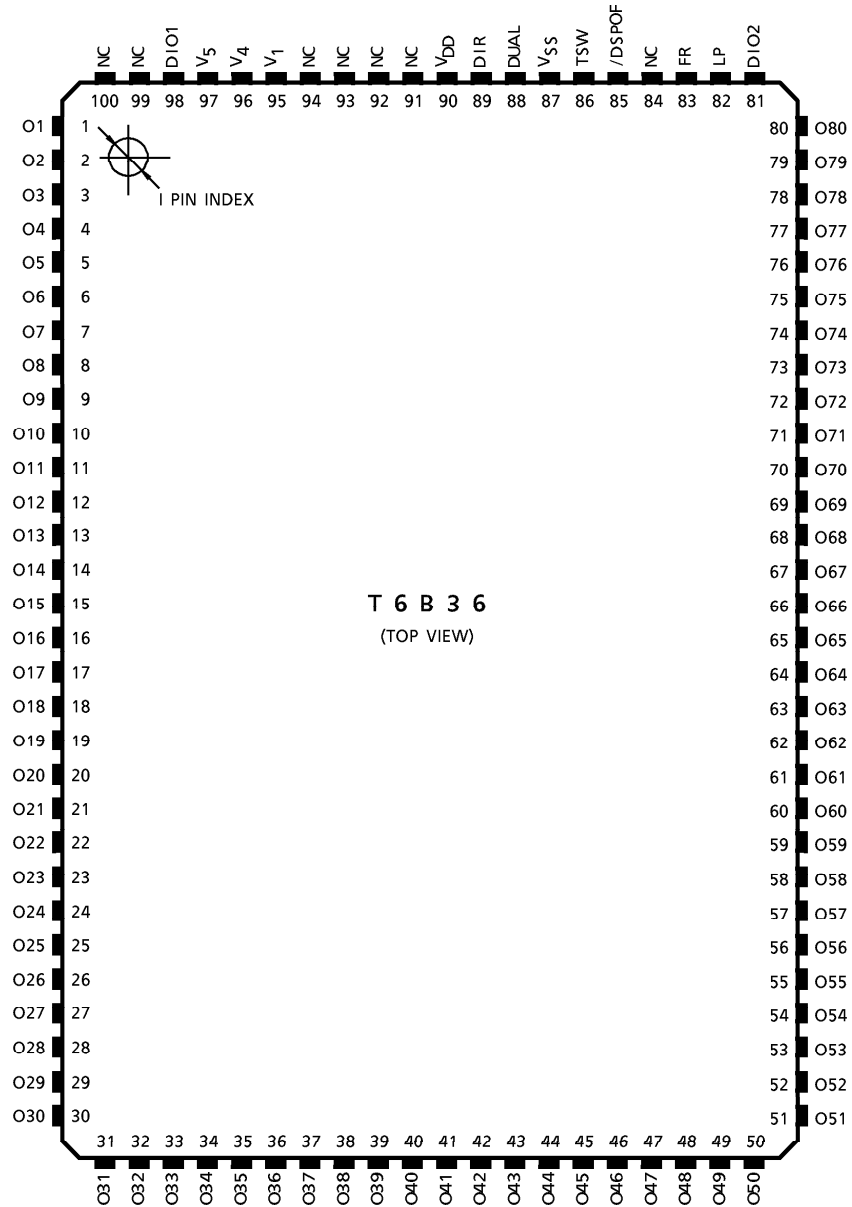
● TOSHIBA is continually working to improve the quality and the reliability of its products. Nevertheless, semiconductor devices in general can malfunction or fail due to their inherent electrical sensitivity and vulnerability to physical stress. It is the responsibility of the buyer, when utilizing TOSHIBA products, to observe standards of safety, and to avoid situations in which a malfunction or failure of a TOSHIBA product could cause loss of human life, bodily injury or damage to property. In developing your designs, please ensure that TOSHIBA products are used within specified operating ranges as set forth in the most recent products specifications. Also, please keep in mind the precautions and conditions set forth in the TOSHIBA Semiconductor Reliability Handbook.

● The products described in this document are subject to foreign exchange and foreign trade control laws.

● The information contained herein is presented only as a guide for the applications of our products. No responsibility is assumed by TOSHIBA CORPORATION for any infringements of intellectual property or other rights of the third parties which may result from its use. No license is granted by implication or otherwise under any intellectual property or other rights of TOSHIBA CORPORATION or others.

● The information contained herein is subject to change without notice.

PIN ASSIGNMENT



PIN FUNCTIONS

PIN NAME	I/O	FUNCTIONS	LEVEL
O1 to O80	Output	Output for LCD drive signal	$V_{DD}$ to $V_5$
DIO1, DIO2	I/O	Input/output for shift data $U_{SE}$ to FP signal	$V_{DD}$ to $V_{SS}$
LP	Input	(Shift Clock Pulse) Input for shift clock pulse	
FR	Input	(Frame) Input for frame signal	
DUAL	Input	(Dual Mode) Terminal for dual input mode or single input mode select	
DIR	Input	(Direction) Input for data flow direction select	
TSW	Input	(Terminal Switch) When tied to $V_{SS}$ : (O1 to O80) output on the rising edge of LP When tied to $V_{DD}$ : (O1 to O80) output on the falling edge of LP	
/DSPOF	Input	(Display Off) /DSPOF = L : Display-off mode, (O1 to O80) remain at the $V_{DD}$ level. /DSPOF = H : Display-on mode, (O1 to O80) are operational.	
$V_{DD}$	—	Power supply for internal logic (5V)	—
$V_{SS}$	—	Power supply for internal logic (0V)	
$V_1$	—	Power supply for LCD drive circuit	
$V_4$	—	Power supply for LCD drive circuit	
$V_5$	—	Power supply for LCD drive circuit	

RELATION BETWEEN FR, DATA INPUT AND OUTPUT LEVEL

FR	DATA INPUT (DIO1, DIO2)	/DSPOF	OUTPUT LEVEL
L	L	H	$V_1$
L	H	H	$V_5$
H	L	H	$V_4$
H	H	H	$V_{DD}$
*	*	L	$V_{DD}$

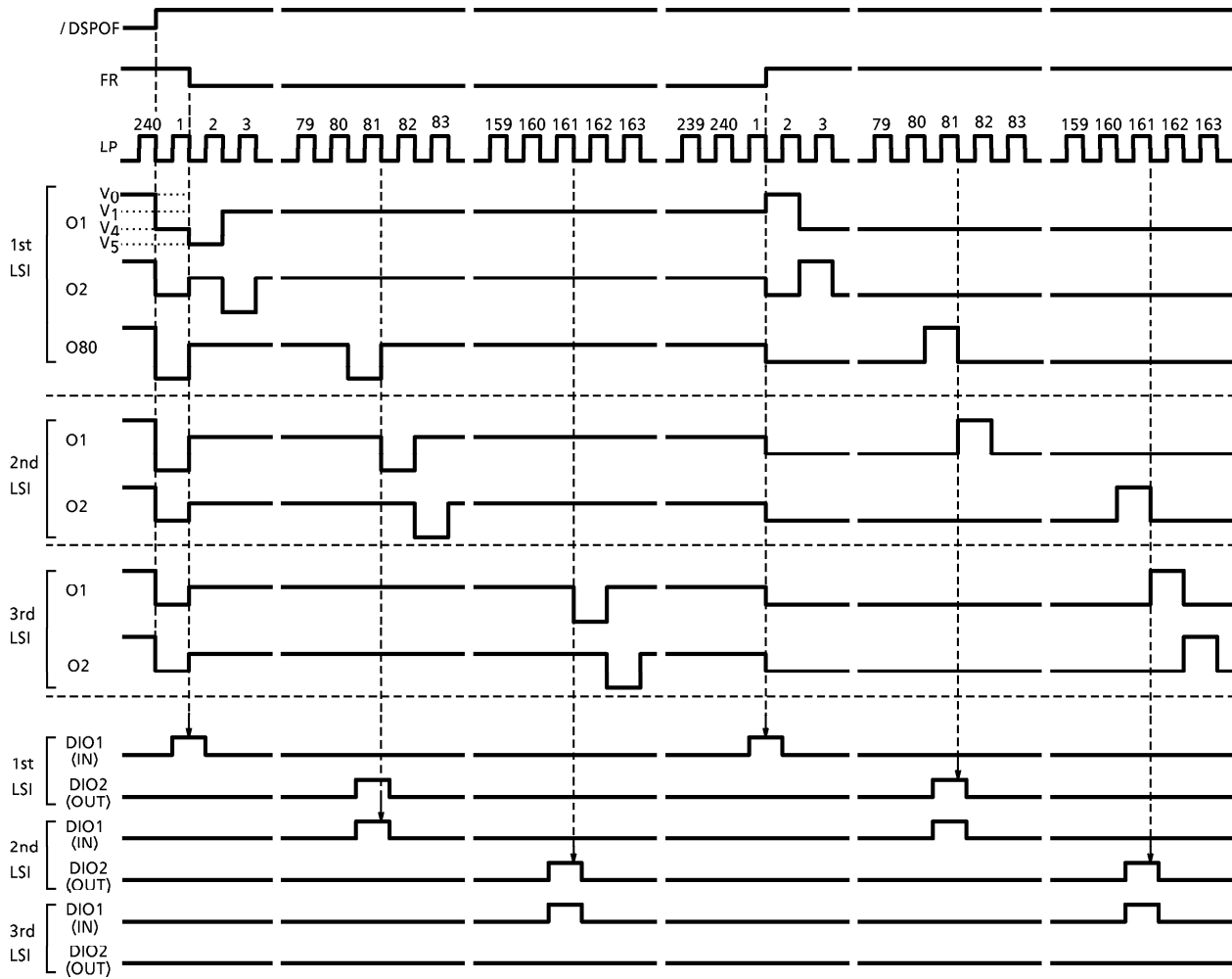
\* Don't Care

DATA INPUT FORMAT

DUAL	DIR	DATA FLOW	DATA INPUT	
			DIO1	DIO2
H	H	O1→O40	IN	IN
		O80→O41		
L	H	O1→O80	IN	OUT
H	L	O80→O1	OUT	IN
L	L			

TIMING DIAGRAM

DIR = H, DUAL = L, TSW = H



**ABSOLUTE MAXIMUM RATINGS**

(Ensure that the following conditions are maintained,  $V_{DD} \geq V_1 \geq V_4 \geq V_5$ ,  $V_{SS} = 0V$ )

ITEM	SYMBOL	PIN NAME	RATING	UNIT
Supply Voltage 1	$V_{DD}$	$V_{DD}$	-0.3 to 7.0	V
Supply Voltage 2	$V_1$ $V_4$ $V_5$	$V_1$ $V_4$ $V_5$	$V_{DD} - 40.0$ to $V_{DD} + 0.3$	V
Input Voltage	$V_{in}$	(*1)	-0.3 to $V_{DD} + 0.3$	V
Operating Temperature	$T_{opr}$	—	-20 to 75	°C
Storage Temperature	$T_{stg}$	—	-55 to 125	°C

(\*1) SCP, FR, /DSPOF, TSW, DUAL, DIR, DIO1, DIO2

**ELECTRICAL CHARACTERISTICS**

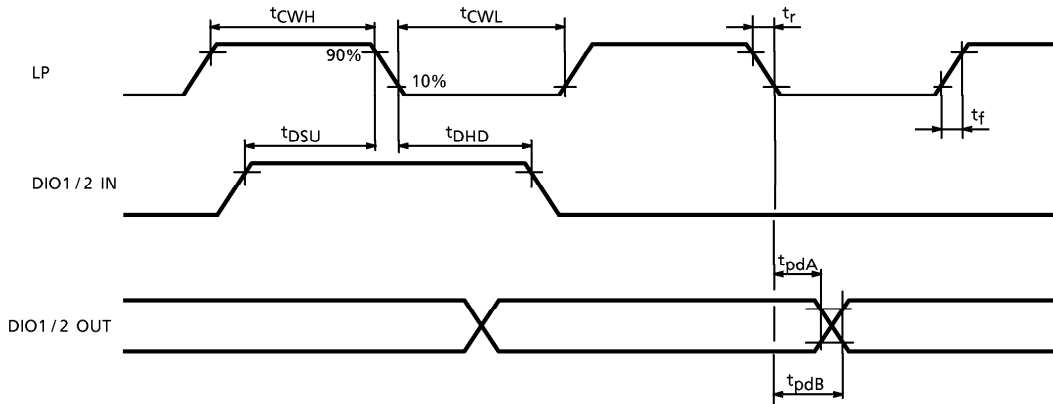
**DC CHARACTERISTICS**

TEST CONDITIONS (Unless otherwise noted,  $V_{SS} = 0V$ ,  $V_{DD} = 4.5$  to  $5.5V$ ,  
 $V_5 = (V_{DD} - 38)$  to  $(V_{DD} - 10)V$ ,  $T_a = -20$  to  $75^\circ C$ )

ITEM	SYMBOL	TEST CIRCUIT	TEST CONDITION	MIN	TYP.	MAX	UNIT	PIN NAME	
Supply Voltage 1	—	—	—	4.5	5.0	5.5	V	$V_{DD}$	
Supply Voltage 2	—	—	—	$V_{DD} - 38$	—	$V_{DD} - 10$	V	$V_5$	
Input Voltage	H Level	$V_{IH}$	—	$V_{DD} - 0.8$	—	$V_{DD}$	V	LP, FR, /DSPOF, TSW, DUAL, DIR, DIO1, DIO2	
	L Level	$V_{IL}$	—	0	—	0.8			
Output Voltage	H Level	$V_{OH}$	$I_{OH} = -0.5mA$	$V_{DD} - 0.5$	—	$V_{DD}$	V	DIO1, DIO2	
	L Level	$V_{OL}$	$I_{OL} = 0.5mA$	0	—	0.5			
Output Resistance	H Level	$R_{OH}$	$V_{OUT} = V_{DD} - 0.5V$ (*2)	—	—	2.2	k $\Omega$	O1 to O80	
	M Level	$R_{OM}$	$V_{OUT} = V_1 \pm 0.5V$ (*2)	—	—	2.2			
		$R_{OM}$	$V_{OUT} = V_4 \pm 0.5V$ (*2)	—	—	2.2			
	L Level	$R_{OL}$	$V_{OUT} = V_5 + 0.5V$ (*2)	—	—	2.2			
Current Consumption	$I_{SS}$	—	$f_{FR} = 35.5Hz$ $f_{SCP} = 7.1kHz$ (Duty : 1/704) O1 to O80 No load	Input data $f_{DIO} = 71Hz$ (Duty : 1/100) Input voltage "H" = $V_{DD}$ "L" = $V_{SS}$	—	2.0	10.0	$\mu A$	$V_{SS}$

(\*2)  $V_{DD} = 5.0V$ ,  $V_5 = -15.0V$ ,  $V_1 = V_{DD} - 1/13 (V_{DD} - V_5)$ ,  $V_4 = V_{DD} - 12/13 (V_{DD} - V_5)$

AC CHARACTERISTICS



TEST CONDITIONS ( $V_{SS}=0V$ ,  $V_{DD}=4.5$  to  $5.5V$ ,  $V_5=(V_{DD}-38)$  to  $(V_{DD}-10)V$ ,  $T_a = -20$  to  $75^\circ C$ )

ITEM	SYMBOL	TEST CONDITION	MIN	MAX	UNIT
SCP Pulse Width H	$t_{CWH}$	LP	30	—	ns
SCP Pulse Width L	$t_{CWL}$	LP	1	—	$\mu s$
Input Rise / Fall Time	$t_r, t_f$	LP, FR, DIO1, DIO2	—	(*4)	ns
Data Set-up Time	$t_{DSU}$	DIO1, DIO2	30	—	ns
Data Hold Time	$t_{DHD}$	DIO1, DIO2	50	—	ns
Output Data Delay Time A (*3)	$t_{pdA}$	DIO1, DIO2	80	—	ns
Output Data Delay Time B (*3)	$t_{pdB}$	DIO1, DIO2	—	1	$\mu s$

(\*3)  $C_L = 10pF$

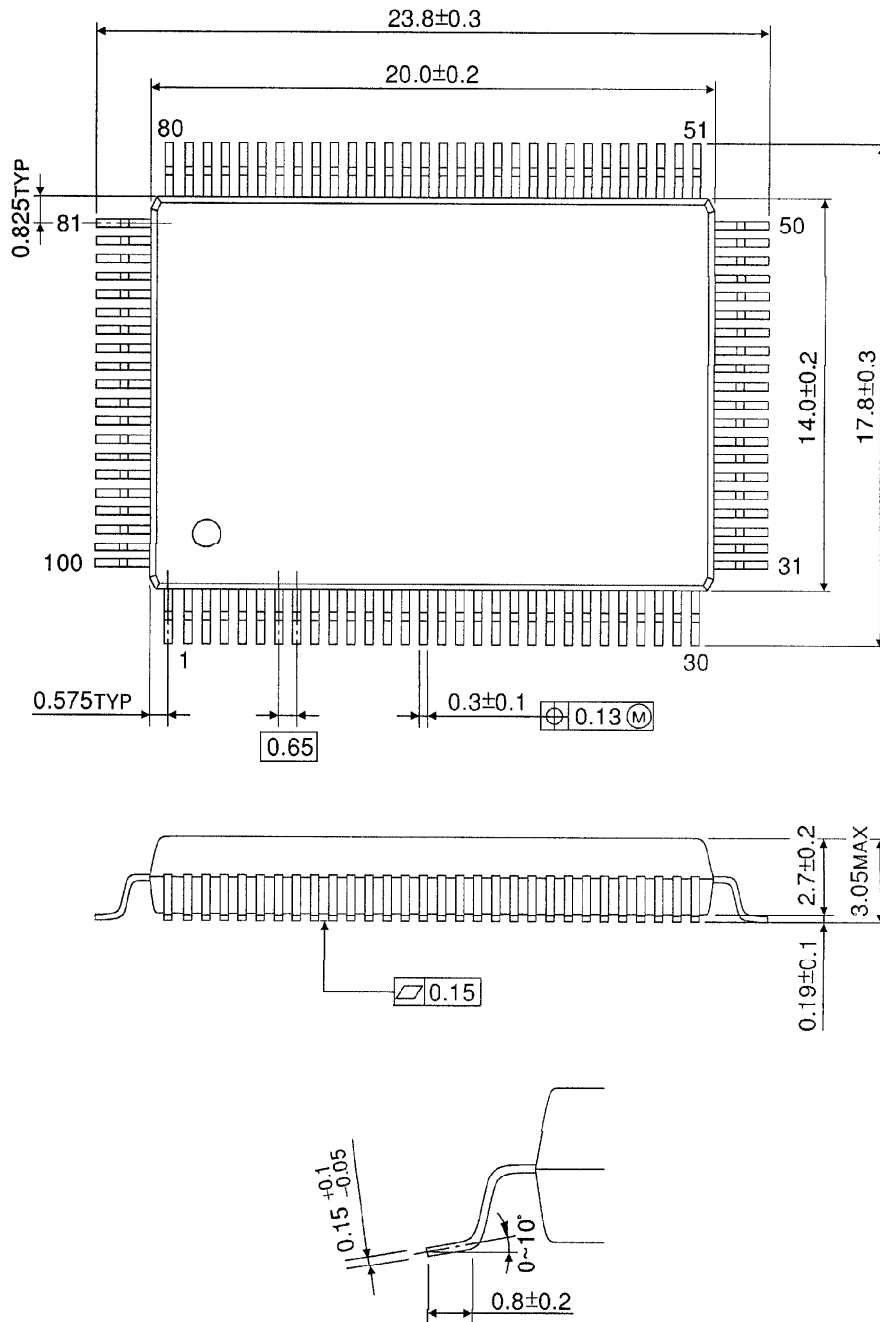
(\*4)  $t_r, t_f \leq (t_C - t_{CWH} - t_{CWL}) / 2$  or  $t_r, t_f \leq 50ns$

NOTE

Insert the bypass capacitor ( $0.1\mu F$ ) between  $V_{DD}$  and  $V_{SS}$  to decrease power supply noise. Place the bypass capacitor as close to the LSI as possible.

OUTLINE DRAWING  
QFP100-P-1420-0.65A

Unit : mm



Weight : 1.6g (Typ.)