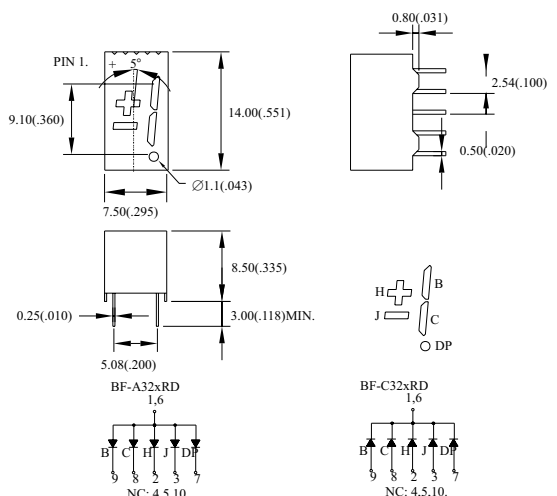
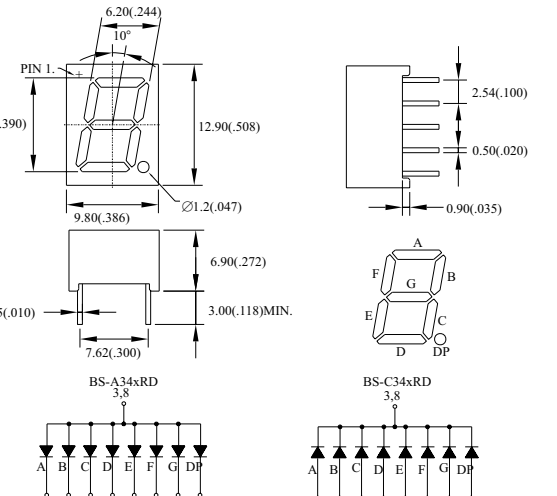
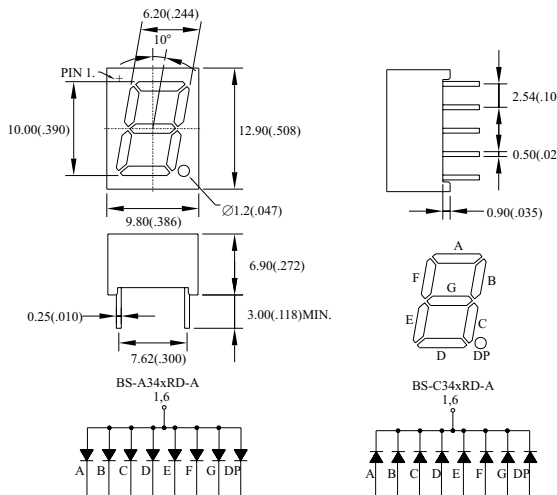
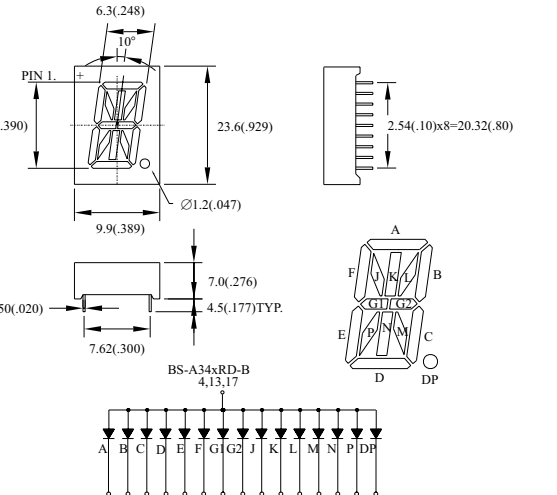
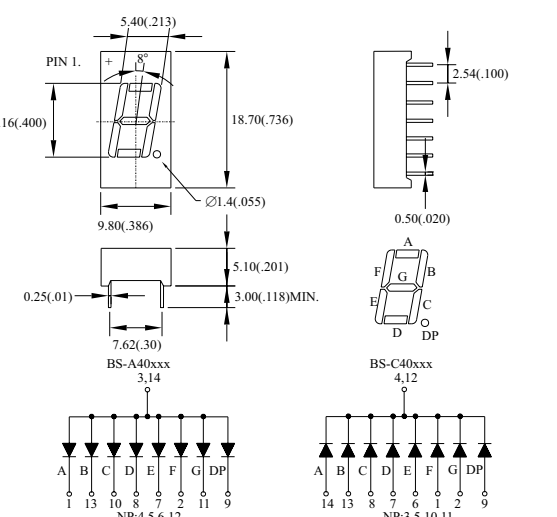
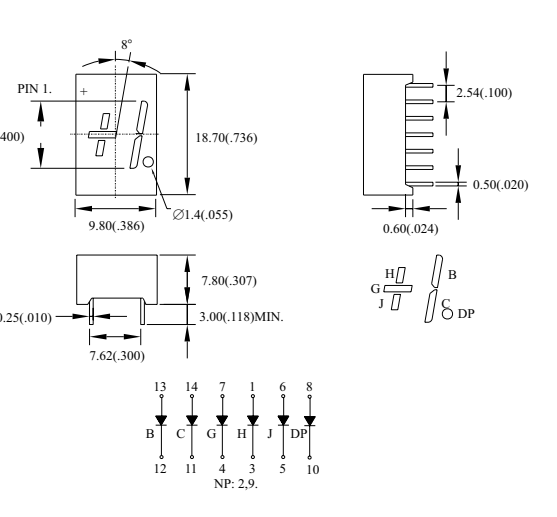




SINGLE DIGIT LED DISPLAYS

| Digit Size | Part No. | | Chip | Absolute Maximum Ratings | | | | | Electro-optical Data(At 10mA) | | | Drawing No. | |
|------------------------------|--------------|-----------------------|-----------------------|--------------------------|-----------------------------------|-----------------------|---------|---------|-------------------------------|--------|-----|-------------|-------------------------|
| | Common Anode | Common Cathode | | Material/Emitted Color | Peak Wave Length λ_p (nm) | $\Delta \lambda$ (nm) | Pd (mw) | If (mA) | Ifp (mA) | Vf (v) | | | Iv. Typ. Per.Seg. (mcd) |
| | | | Typ. | | | | | | | Max. | | | |
| 0.36" Overflow Single-Digit | BF-A321RD | BF-C321RD | GaAsP/Red | 655 | 40 | 80 | 40 | 200 | 1.7 | 2.0 | 0.6 | SD-13 | |
| | BF-A325RD | BF-C325RD | GaP/ Bright Red | 700 | 90 | 40 | 15 | 50 | 2.2 | 2.5 | 1.2 | | |
| | BF-A325RE | BF-C325RE | | | | | | | | | | | |
| | BF-A322RD | BF-C322RD | GaP/ Green | 568 | 30 | 80 | 30 | 150 | 2.2 | 2.5 | 3.0 | | |
| | BF-A323RD | BF-C323RD | GaAsP/GaP/ Yellow | 585 | 35 | 80 | 30 | 150 | 2.1 | 2.5 | 2.0 | | |
| | BF-A324RD | BF-C324RD | GaAsP/GaP/ Hi-Eff.Red | 635 | 45 | 80 | 30 | 150 | 2.0 | 2.5 | 3.0 | | |
| | | | GaAsP/GaP/ Orange | | | | | | | | | | |
| | BF-A326RD | BF-C326RD | GaAlAs/ SH Super Red | 660 | 20 | 80 | 30 | 150 | 1.7 | 2.5 | 6.0 | | |
| BF-A32DRD | BF-C32DRD | GaAlAs/ DH Super Red | 660 | 20 | 80 | 30 | 150 | 1.7 | 2.5 | 7.0 | | | |
| 0.39" Single-Digit | BS-A341RD | BS-C341RD | GaAsP/Red | 655 | 40 | 80 | 40 | 200 | 1.7 | 2.0 | 0.6 | SD-14 | |
| | BS-A345RD | BS-C345RD | GaP/ Bright Red | 700 | 90 | 40 | 15 | 50 | 2.2 | 2.5 | 1.2 | | |
| | BS-A345RE | BS-C345RE | | | | | | | | | | | |
| | BS-A342RD | BS-C342RD | GaP/ Green | 568 | 30 | 80 | 30 | 150 | 2.2 | 2.5 | 3.0 | | |
| | BS-A343RD | BS-C343RD | GaAsP/GaP/ Yellow | 585 | 35 | 80 | 30 | 150 | 2.1 | 2.5 | 2.0 | | |
| | BS-A344RD | BS-C344RD | GaAsP/GaP/ Hi-Eff.Red | 635 | 45 | 80 | 30 | 150 | 2.0 | 2.5 | 3.0 | | |
| | | | GaAsP/GaP/ Orange | | | | | | | | | | |
| | BS-A346RD | BS-C346RD | GaAlAs/ SH Super Red | 660 | 20 | 80 | 30 | 150 | 1.7 | 2.5 | 6.0 | | |
| | BS-A34DRD | BS-C34DRD | GaAlAs/ DH Super Red | 660 | 20 | 80 | 30 | 150 | 1.7 | 2.5 | 7.0 | | |
| | BS-A341RD-A | BS-C341RD-A | GaAsP/Red | 655 | 40 | 80 | 40 | 200 | 1.7 | 2.0 | 0.6 | | SD-15 |
| | BS-A345RD-A | BS-C345RD-A | GaP/ Bright Red | 700 | 90 | 40 | 15 | 50 | 2.2 | 2.5 | 1.2 | | |
| | BS-A345RE-A | BS-C345RE-A | | | | | | | | | | | |
| | BS-A342RD-A | BS-C342RD-A | GaP/ Green | 568 | 30 | 80 | 30 | 150 | 2.2 | 2.5 | 3.0 | | |
| | BS-A343RD-A | BS-C343RD-A | GaAsP/GaP/ Yellow | 585 | 35 | 80 | 30 | 150 | 2.1 | 2.5 | 2.0 | | |
| BS-A344RD-A | BS-C344RD-A | GaAsP/GaP/ Hi-Eff.Red | 635 | 45 | 80 | 30 | 150 | 2.0 | 2.5 | 3.0 | | | |
| | | GaAsP/GaP/ Orange | | | | | | | | | | | |
| BS-A346RD-A | BS-C346RD-A | GaAlAs/ SH Super Red | 660 | 20 | 80 | 30 | 150 | 1.7 | 2.5 | 6.0 | | | |
| BS-A34DRD-A | BS-C34DRD-A | GaAlAs/ DH Super Red | 660 | 20 | 80 | 30 | 150 | 1.7 | 2.5 | 7.0 | | | |
| 0.39" Alpha-Numeric Displays | BS-A311RD-B | BS-C311RD-B | GaAsP/Red | 655 | 40 | 80 | 40 | 200 | 1.7 | 2.0 | 0.6 | SD-16 | |
| | BS-A315RD-B | BS-C315RD-B | GaP/ Bright Red | 700 | 90 | 40 | 15 | 50 | 2.2 | 2.5 | 1.2 | | |
| | BS-A315RE-B | BS-C315RE-B | | | | | | | | | | | |
| | BS-A312RD-B | BS-C312RD-B | GaP/ Green | 568 | 30 | 80 | 30 | 150 | 2.2 | 2.5 | 2.8 | | |
| | BS-A313RD-B | BS-C313RD-B | GaAsP/GaP/ Yellow | 585 | 35 | 80 | 30 | 150 | 2.1 | 2.5 | 2.2 | | |
| | BS-A314RD-B | BS-C314RD-B | GaAsP/GaP/ Hi-Eff.Red | 635 | 45 | 80 | 30 | 150 | 2.0 | 2.5 | 2.8 | | |
| | | | GaAsP/GaP/ Orange | | | | | | | | | | |
| BS-A316RD-B | BS-C316RD-B | GaAlAs/ SH Super Red | 660 | 20 | 80 | 30 | 150 | 1.7 | 2.5 | 5.0 | | | |
| BS-A31DRD-B | BS-C31DRD-B | GaAlAs/ DH Super Red | 660 | 20 | 80 | 30 | 150 | 1.7 | 2.5 | 10.0 | | | |
| 0.40" Single-Digit | BS-A401RD | BS-C401RD | GaAsP/Red | 655 | 40 | 80 | 40 | 200 | 1.7 | 2.0 | 0.6 | SD-17 | |
| | BS-A405RD | BS-C405RD | GaP/ Bright Red | 700 | 90 | 40 | 15 | 50 | 2.2 | 2.5 | 1.2 | | |
| | BS-A405RE | BS-C405RE | | | | | | | | | | | |
| | BS-A402RD | BS-C402RD | GaP/ Green | 568 | 30 | 80 | 30 | 150 | 2.2 | 2.5 | 3.0 | | |
| | BS-A403RD | BS-C403RD | GaAsP/GaP/ Yellow | 585 | 35 | 80 | 30 | 150 | 2.1 | 2.5 | 2.0 | | |
| | BS-A404RD | BS-C404RD | GaAsP/GaP/ Hi-Eff.Red | 635 | 45 | 80 | 30 | 150 | 2.0 | 2.5 | 3.0 | | |
| | | | GaAsP/GaP/ Orange | | | | | | | | | | |
| | BS-A406RD | BS-C406RD | GaAlAs/ SH Super Red | 660 | 20 | 80 | 30 | 150 | 1.7 | 2.5 | 6.0 | | |
| BS-A40DRD | BS-C40DRD | GaAlAs/ DH Super Red | 660 | 20 | 80 | 30 | 150 | 1.7 | 2.5 | 7.0 | | | |
| 0.40" Overflow Single-Digit | BF-U401RD | | GaAsP/Red | 655 | 40 | 80 | 40 | 200 | 1.7 | 2.0 | 0.6 | SD-18 | |
| | BF-U405RD | | GaP/ Bright Red | 700 | 90 | 40 | 15 | 50 | 2.2 | 2.5 | 1.2 | | |
| | BF-U405RE | | | | | | | | | | | | |
| | BF-U402RD | | GaP/ Green | 568 | 30 | 80 | 30 | 150 | 2.2 | 2.5 | 3.0 | | |
| | BF-U403RD | | GaAsP/GaP/ Yellow | 585 | 35 | 80 | 30 | 150 | 2.1 | 2.5 | 2.0 | | |
| | BF-U404RD | | GaAsP/GaP/ Hi-Eff.Red | 635 | 45 | 80 | 30 | 150 | 2.0 | 2.5 | 3.0 | | |
| | | | GaAsP/GaP/ Orange | | | | | | | | | | |
| | BF-U406RD | | GaAlAs/ SH Super Red | 660 | 20 | 80 | 30 | 150 | 1.7 | 2.5 | 6.0 | | |
| BF-U40DRD | | GaAlAs/ DH Super Red | 660 | 20 | 80 | 30 | 150 | 1.7 | 2.5 | 7.0 | | | |

SINGLE DIGIT LED DISPLAYS

| SD-13 BF- $\frac{A}{C}$ 32xRD | SD-14 BS- $\frac{A}{C}$ 34xRD |
|---|--|
|  <p>Dimensions: 9.10(.360), 14.00(.551), 7.50(.295), 0.80(.031), 2.54(.100), 0.50(.020), 1.1(.043), 5°, 0.25(.010), 8.50(.335), 3.00(.118)MIN., 5.08(.200).</p> <p>Pinout: BF-A32xRD (1.6), BF-C32xRD (1.6). NC: 4,5,10.</p> |  <p>Dimensions: 10.00(.390), 12.90(.508), 9.80(.386), 6.20(.244), 10°, 2.54(.100), 0.50(.020), 0.90(.035), 1.2(.047), 6.90(.272), 3.00(.118)MIN., 7.62(.300), 0.25(.010).</p> <p>Pinout: BS-A34xRD (3.8), BS-C34xRD (3.8).</p> |
| SD-15 BS- $\frac{A}{C}$ 34xRD-A | SD-16 BS- $\frac{A}{C}$ 34xRD-B |
|  <p>Dimensions: 10.00(.390), 12.90(.508), 9.80(.386), 6.20(.244), 10°, 2.54(.100), 0.50(.020), 0.90(.035), 1.2(.047), 6.90(.272), 3.00(.118)MIN., 7.62(.300), 0.25(.010).</p> <p>Pinout: BS-A34xRD-A (1.6), BS-C34xRD-A (1.6).</p> |  <p>Dimensions: 10.0(.390), 23.6(.929), 9.9(.389), 6.3(.248), 10°, 2.54(.10)x8=20.32(.80), 7.0(.276), 4.5(.177)TYP., 7.62(.300), 0.50(.020).</p> <p>Pinout: BS-A34xRD-B (4.13, 1.7).</p> |
| SD-17 BS- $\frac{A}{C}$ 40xRD | SD-18 BF-U40xRD |
|  <p>Dimensions: 10.16(.400), 18.70(.736), 9.80(.386), 5.40(.213), 8°, 2.54(.100), 0.50(.020), 1.4(.055), 5.10(.201), 3.00(.118)MIN., 7.62(.300), 0.25(.010).</p> <p>Pinout: BS-A40xxx (3.14), BS-C40xxx (4.12). NP: 3,5,10,11.</p> |  <p>Dimensions: 10.10(.400), 18.70(.736), 9.80(.386), 8°, 2.54(.100), 0.50(.020), 0.60(.024), 1.4(.055), 7.80(.307), 3.00(.118)MIN., 7.62(.300), 0.25(.010).</p> <p>Pinout: BF-U40xRD (NP: 2,9).</p> |

NOTES: 1.All Dimensions are in millimeters(inches).
 2.Tolerance is $\pm 0.25\text{mm}(.010")$.
 3.Specifications are subject to change without notice.
 4.NP:No Pin. 5.NC:No Connect.